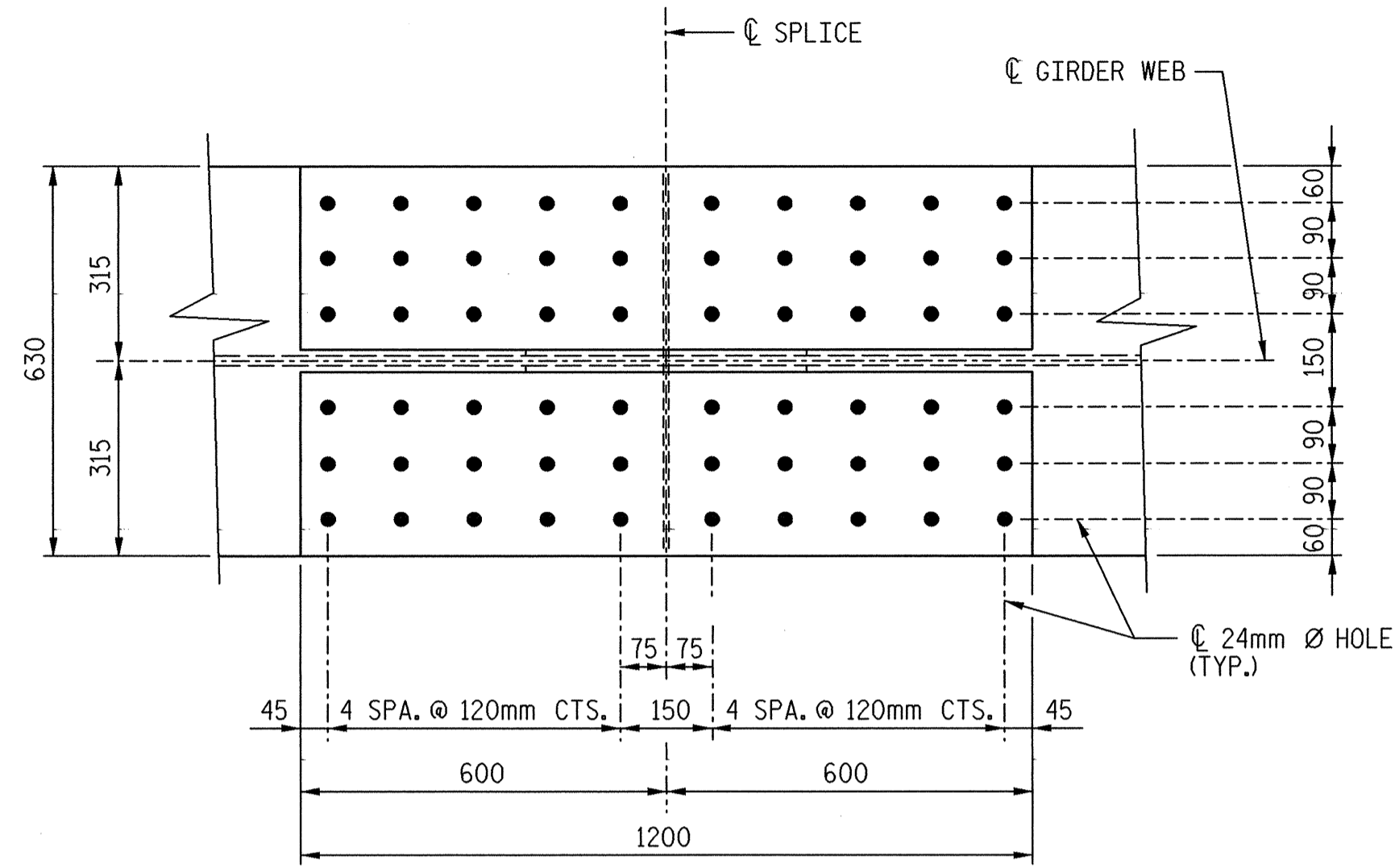
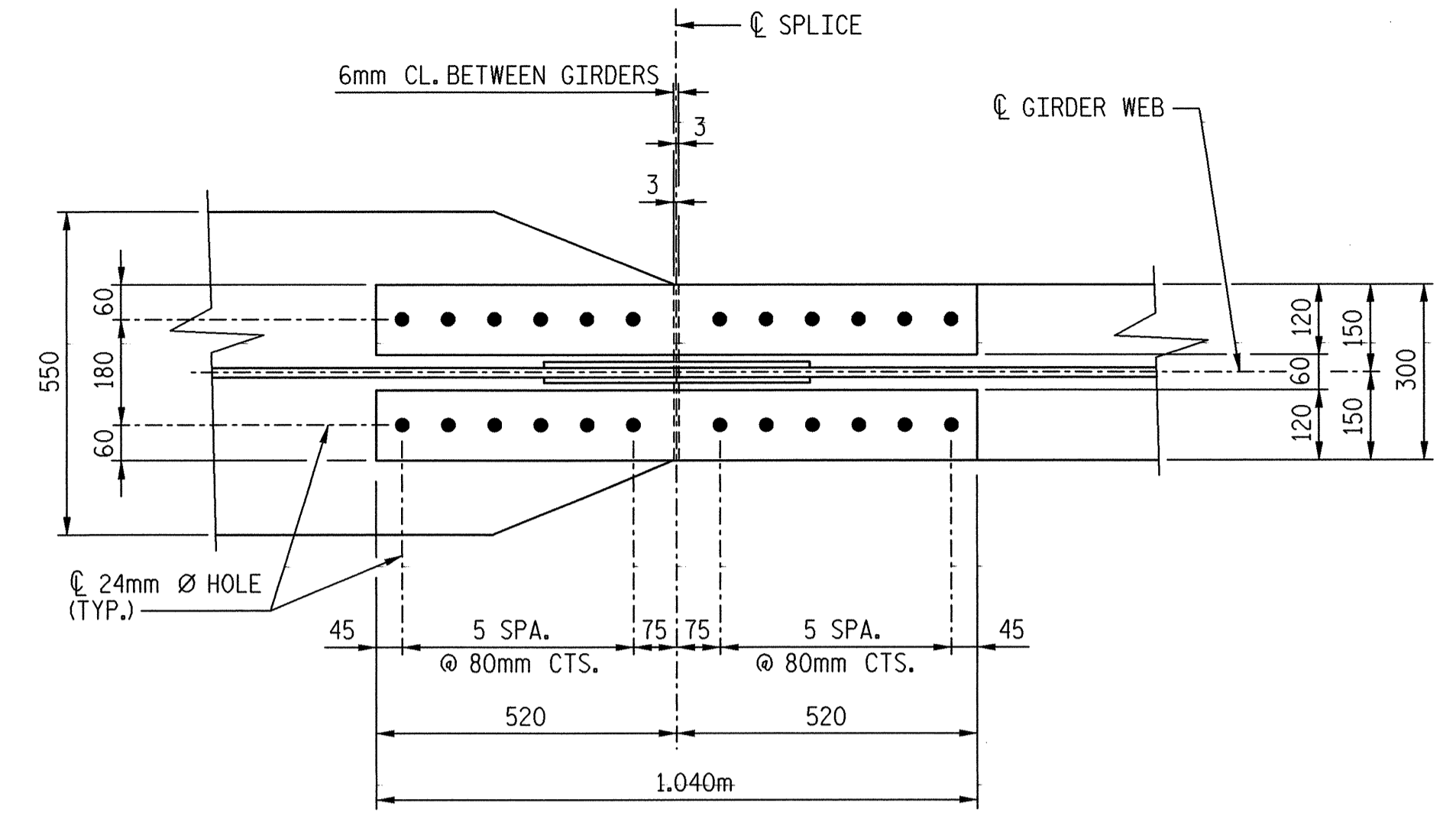


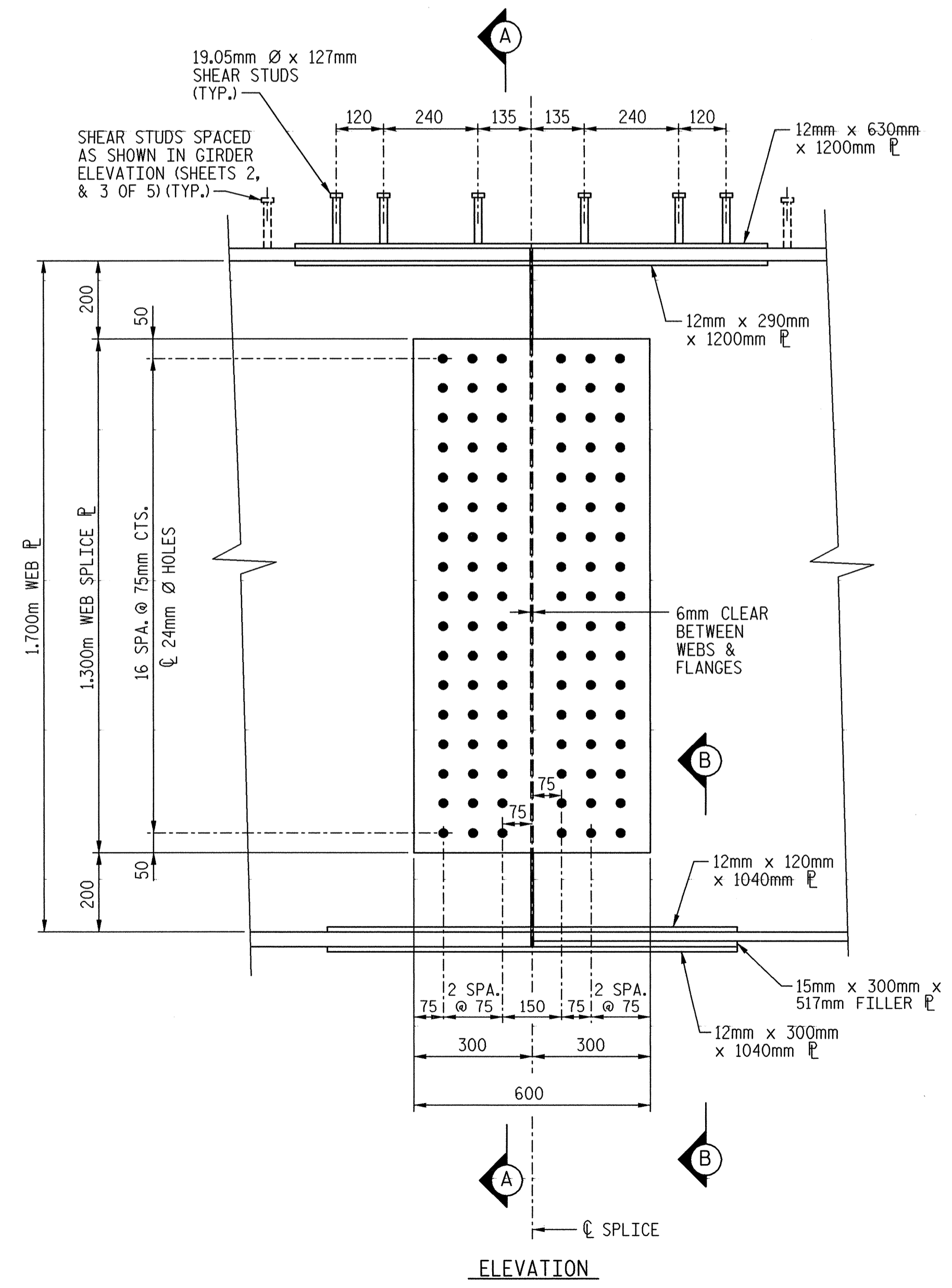
PLAN (TOP OF TOP FLANGE)



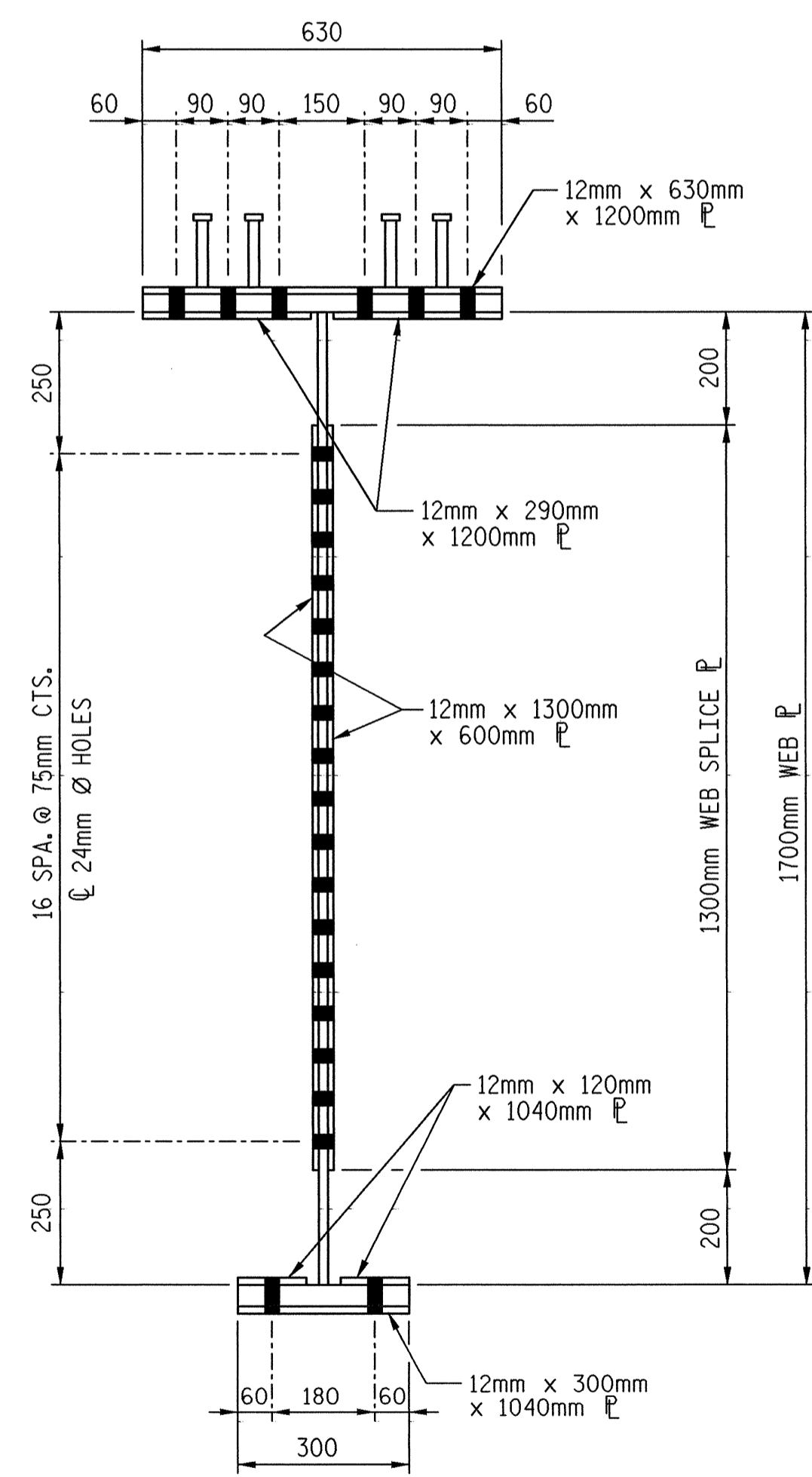
PLAN (BOTTOM OF TOP FLANGE)



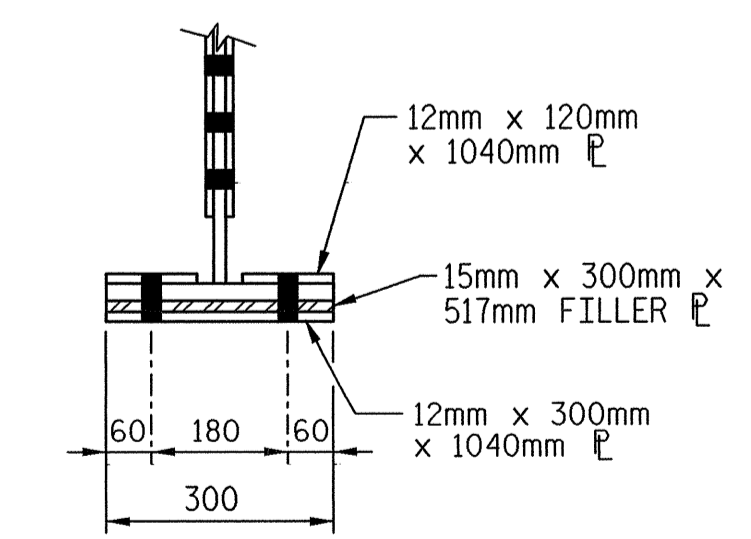
PLAN (TOP OF BOTTOM FLANGE)



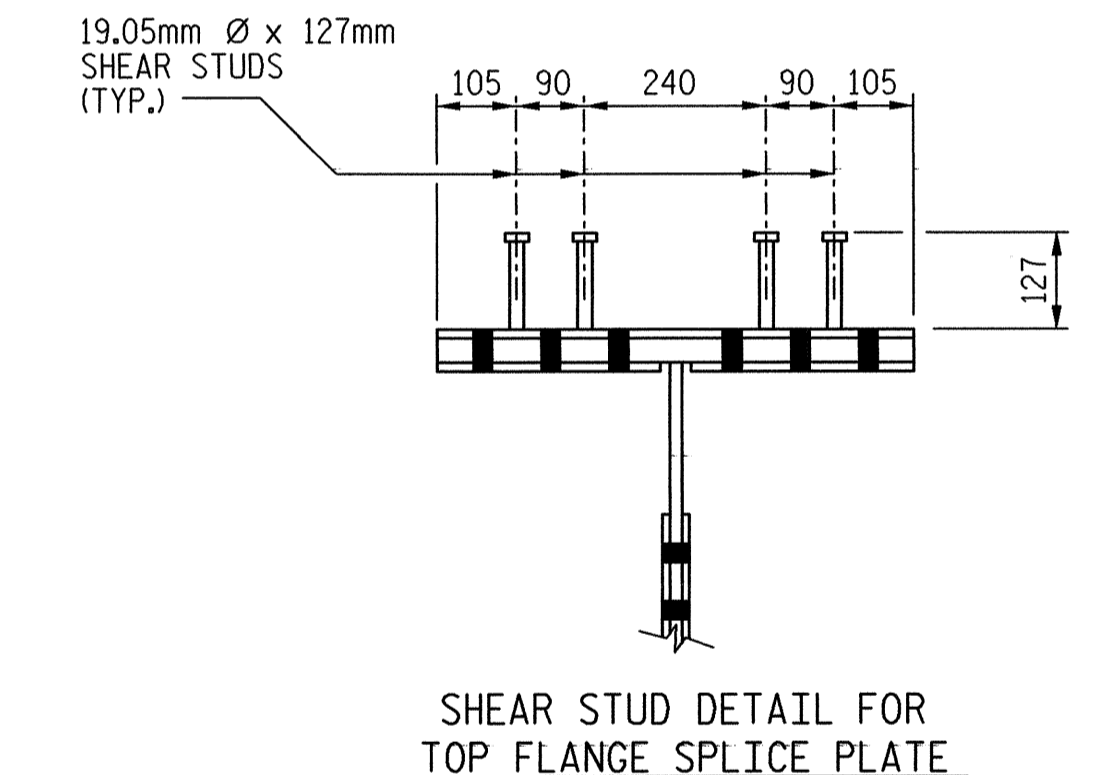
ELEVATION



SECTION "A-A"



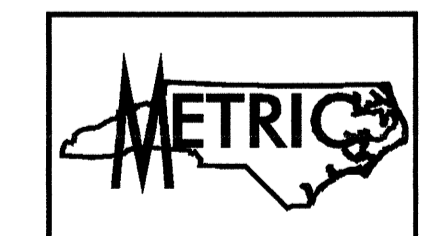
SECTION "B-B"



SHEAR STUD DETAIL FOR TOP FLANGE SPLICE PLATE

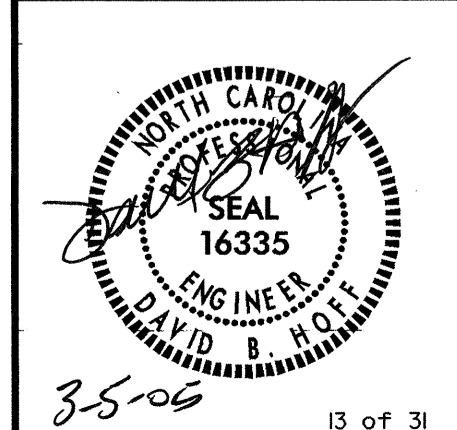
**BOLTED FIELD SPLICE DETAILS**  
(TYPICAL EACH FIELD SPLICE)

DRAWN BY : M.T. BELISLE DATE : 4/01  
CHECKED BY : D.B. HOFF DATE : 11/01



PROJECT NO. R-2552AB  
JOHNSTON COUNTY  
STATION: 52+34.693 -L- = 18+60.011 -Y2-

TRANSYSTEMS CORPORATION  
75 Beattie Place, Suite 400  
Greenville, SC 29601 (864) 234-0866



STATE OF NORTH CAROLINA  
DEPARTMENT OF TRANSPORTATION  
RALEIGH  
SUPERSTRUCTURE  
STRUCTURAL STEEL  
DETAILS

REVISIONS				SHEET NO.
NO.	BY:	DATE:	NO.	DATE:
1			3	
2			4	

5-411  
TOTAL SHEETS  
429

g:\04\0125\Brdge\Site2\Final\11.25.03\1004gr-ddt1.dgn  
3/4/2005  
3:00:12 PM