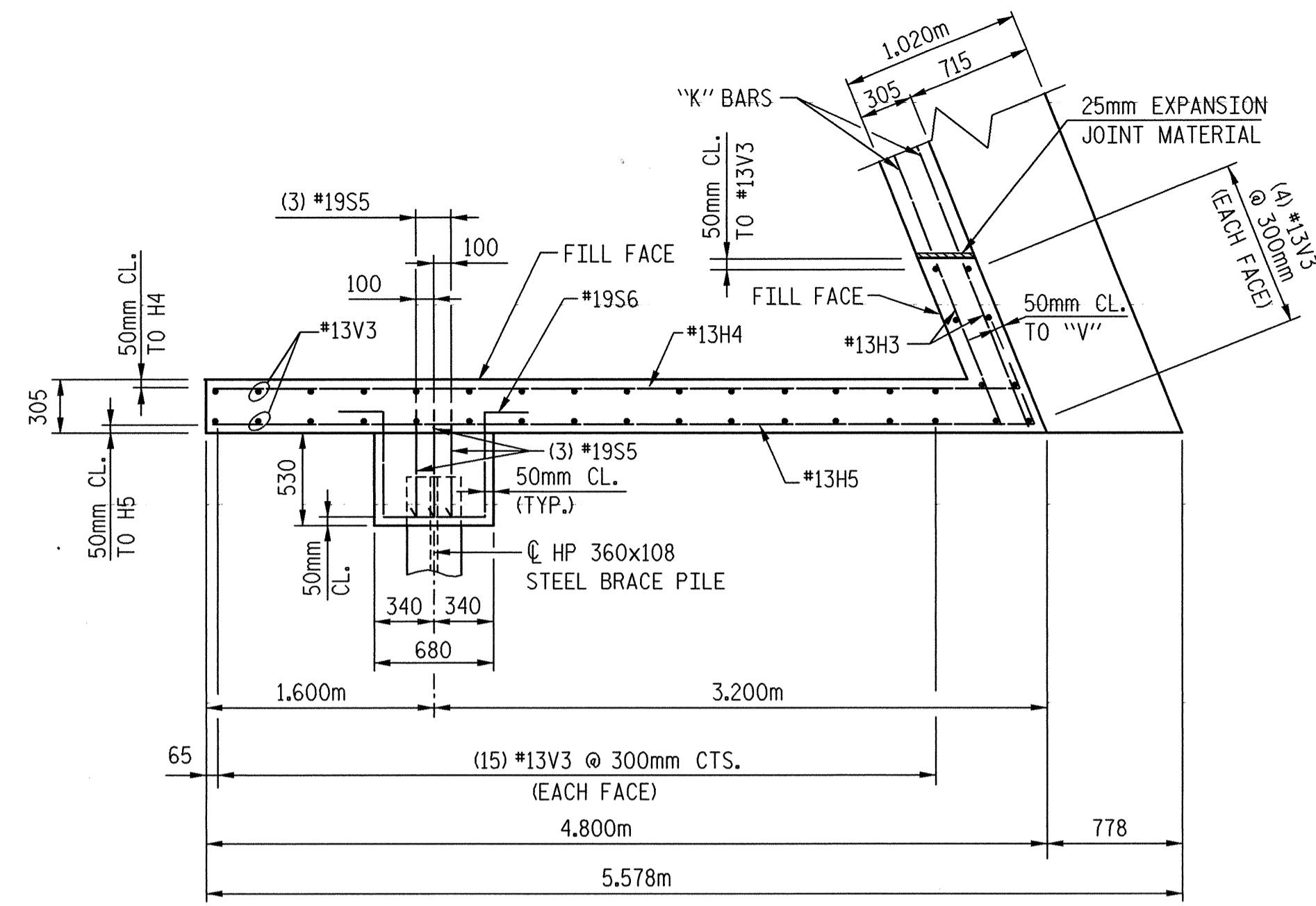
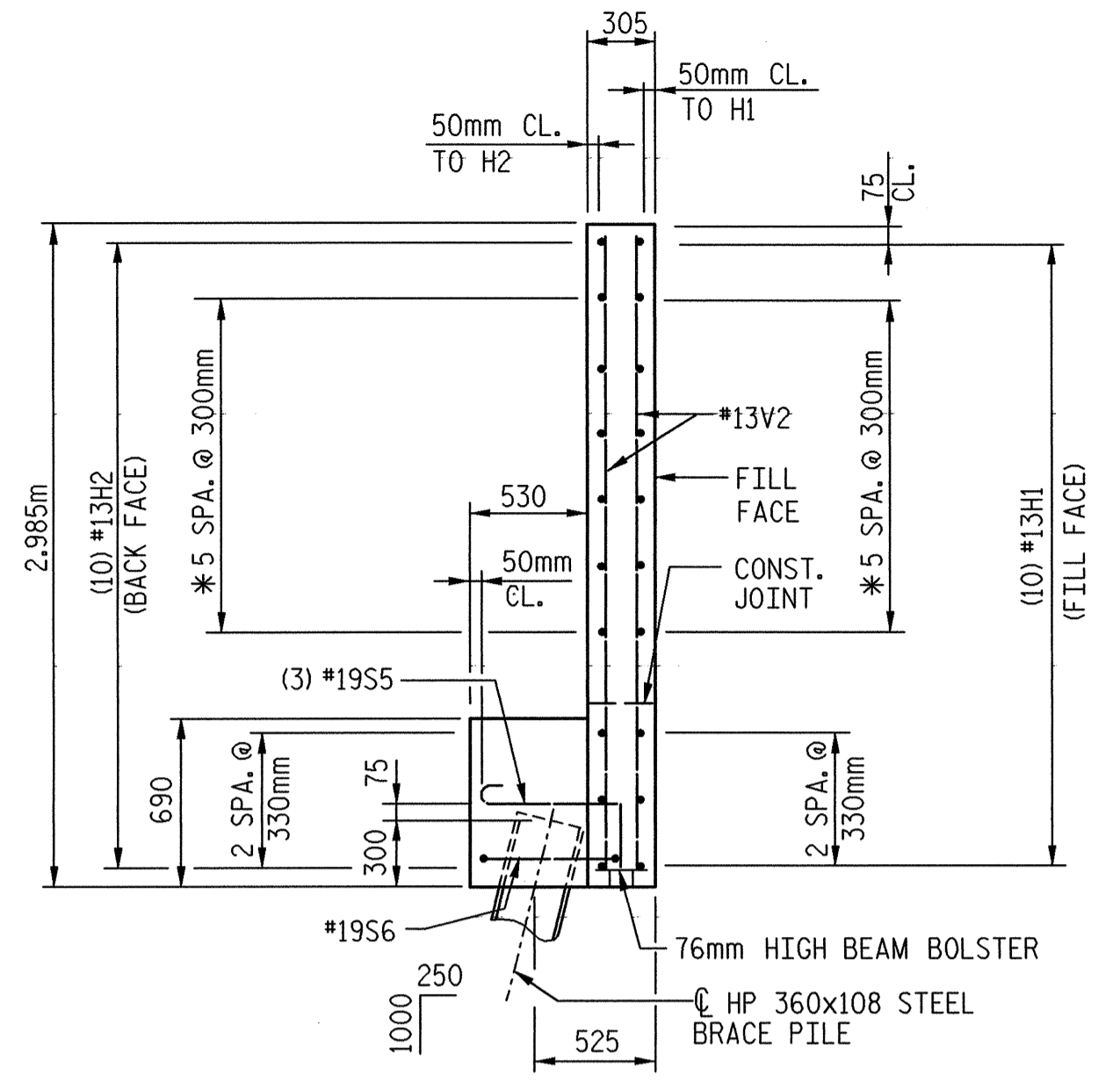


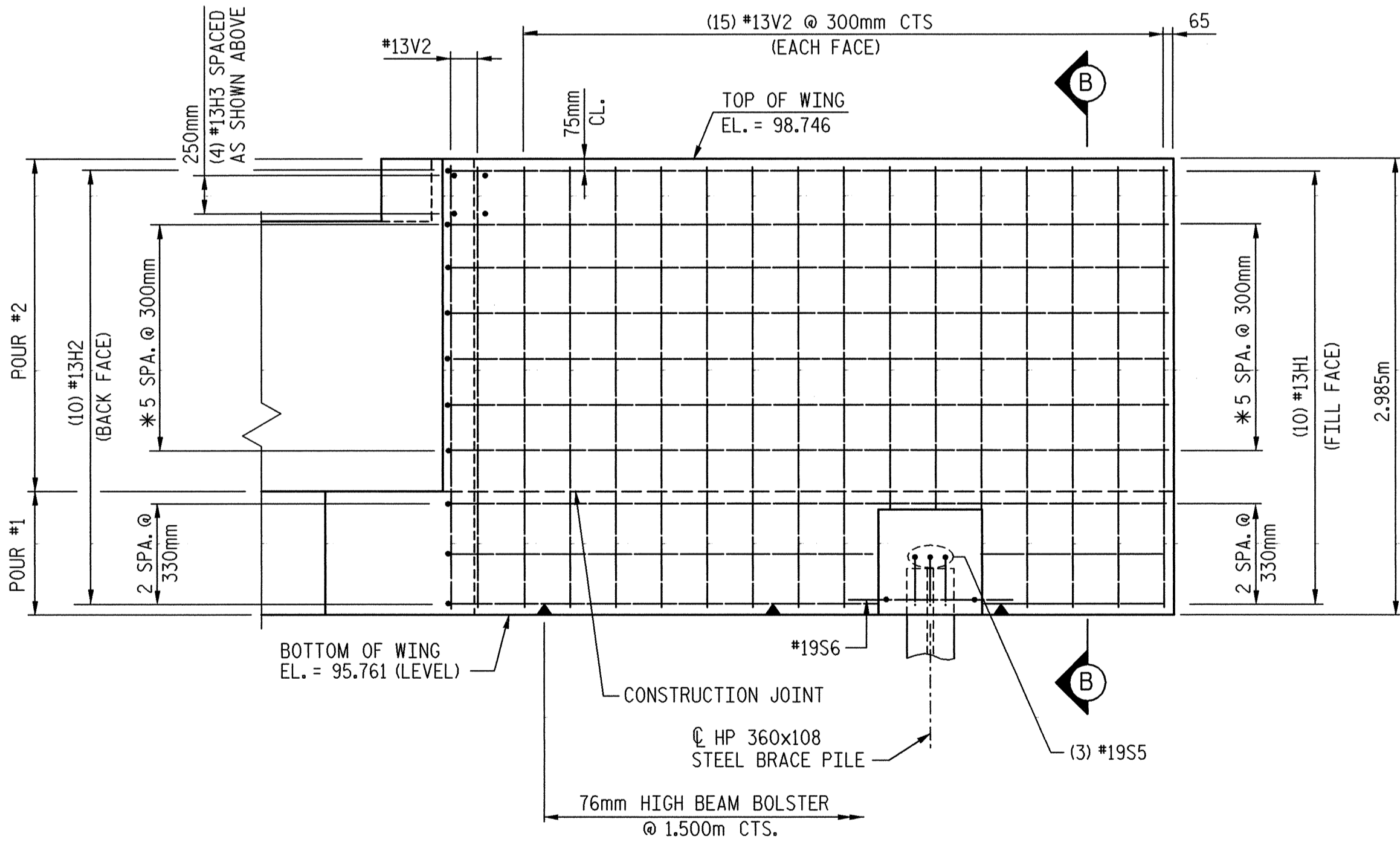
PLAN WING - W1



PLAN WING - W2

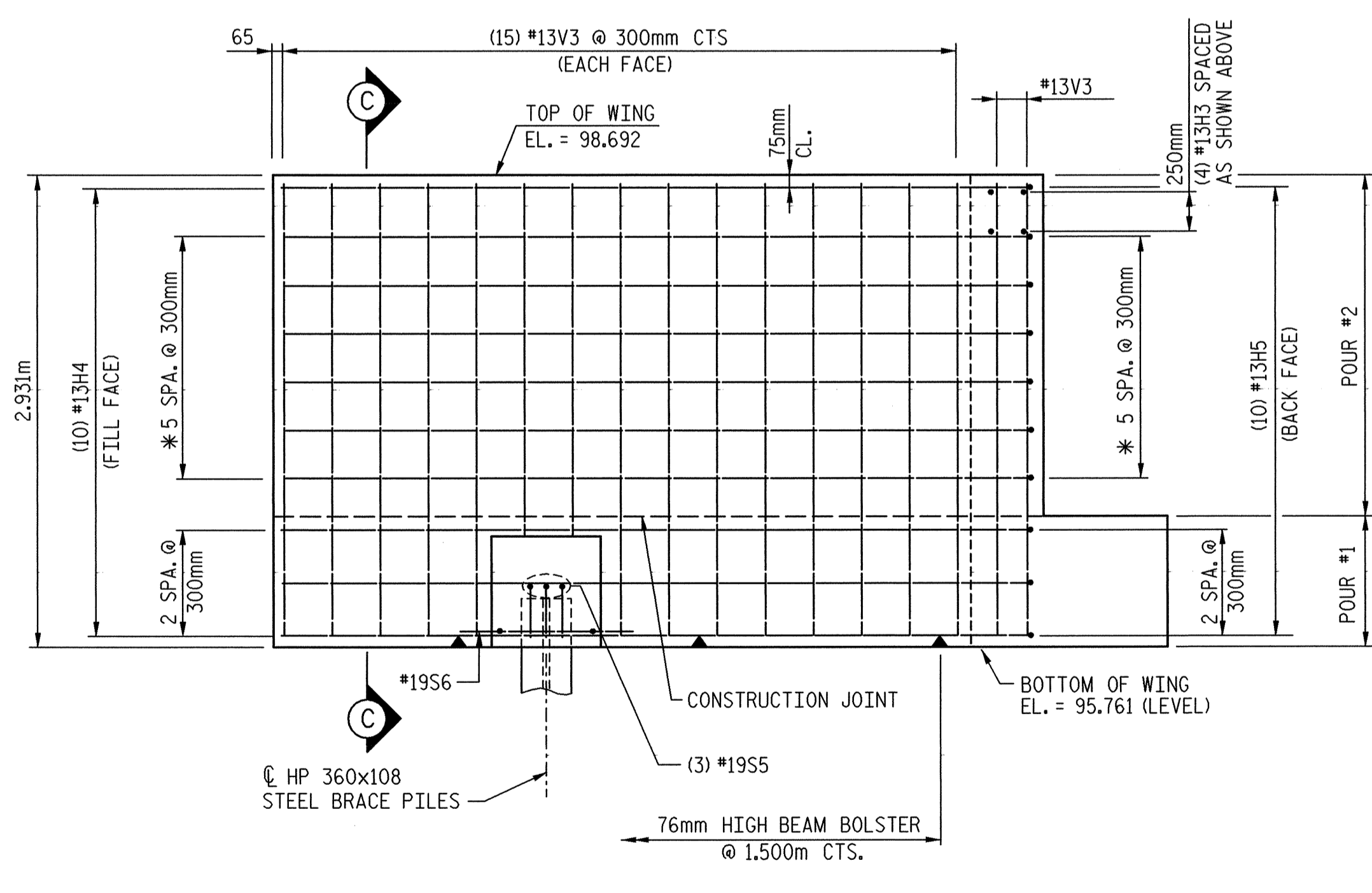


SECTION "B-B"



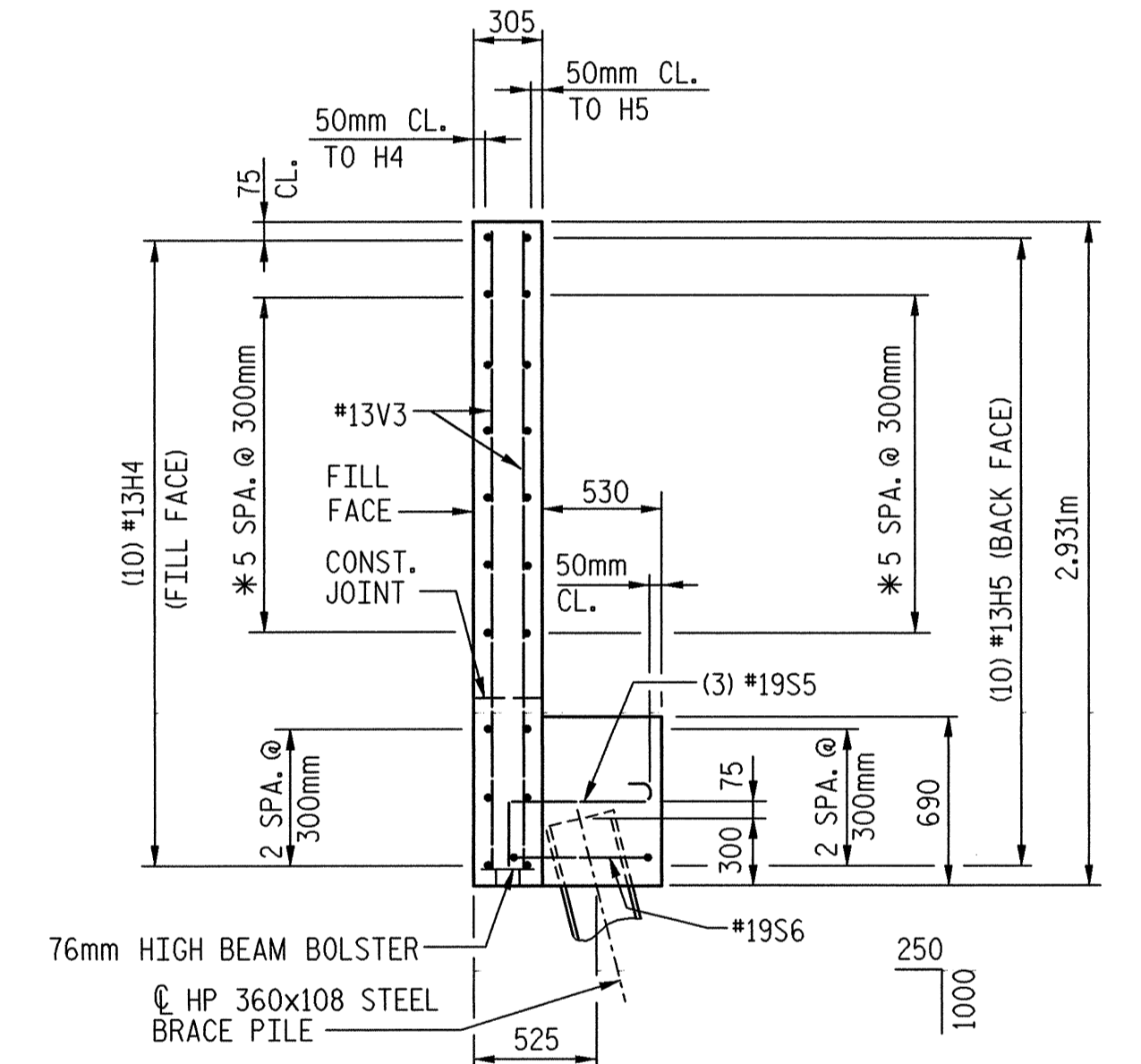
ELEVATION WING - W1

*MATCH BARS TO "K" BARS IN BACKWALL



ELEVATION WING - W2

*MATCH BARS TO "K" BARS IN BACKWALL

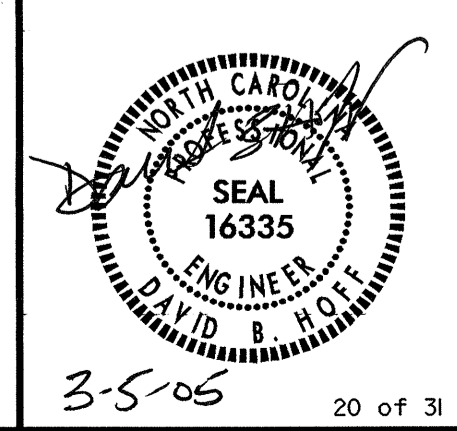


SECTION "C-C"

PROJECT NO. R-2552AB
 JOHNSTON COUNTY
 STATION: 52+34.693 -L-
 18+60.011 -Y2-



TRANSYSTEMS CORPORATION
 75 Beattie Plaza, Suite 400
 Greenville, SC 29601 (864) 234-0866



STATE OF NORTH CAROLINA
 DEPARTMENT OF TRANSPORTATION
 RALEIGH

SUBSTRUCTURE
 END BENT #1
 DETAILS

REVISIONS						SHEET NO.	
NO.	BY:	DATE:	NO.	BY:	DATE:	5-418	
1			3			TOTAL SHEETS	
2			4			427	

g:\04\04_0125\Bridges\51\re2\Final\11_25_03\1004eb1b.dgn
 3/4/2005 3:50:00 PM

DRAWN BY: J.C. PENDERGRAFT DATE: 11/01
 CHECKED BY: D.B. HOFF DATE: 12/01

3-5-05 20 of 31