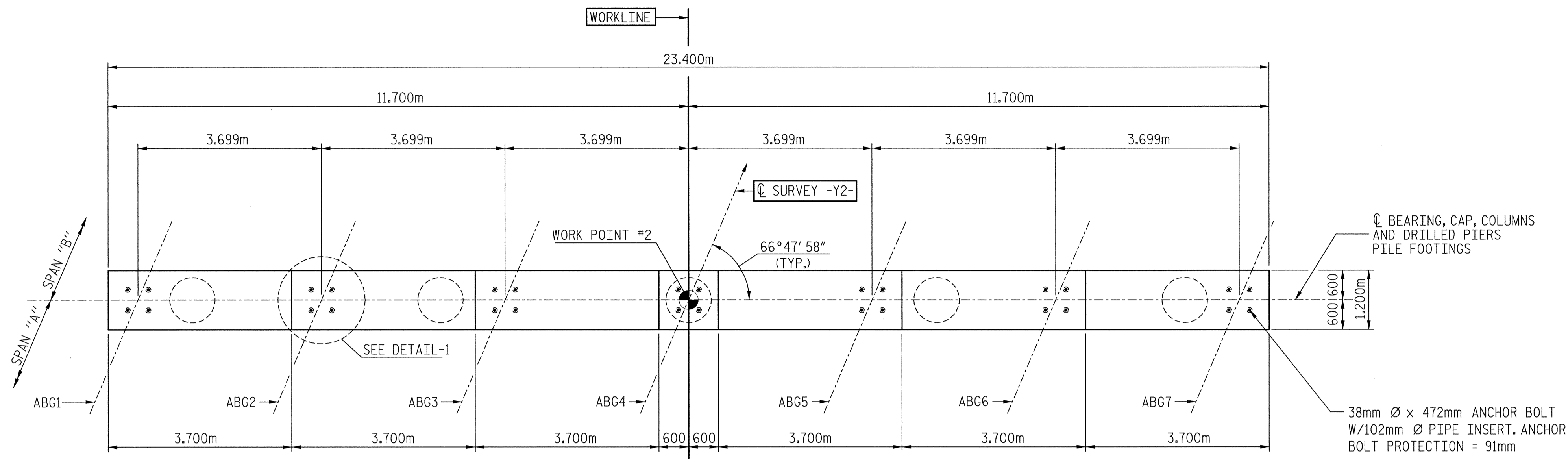


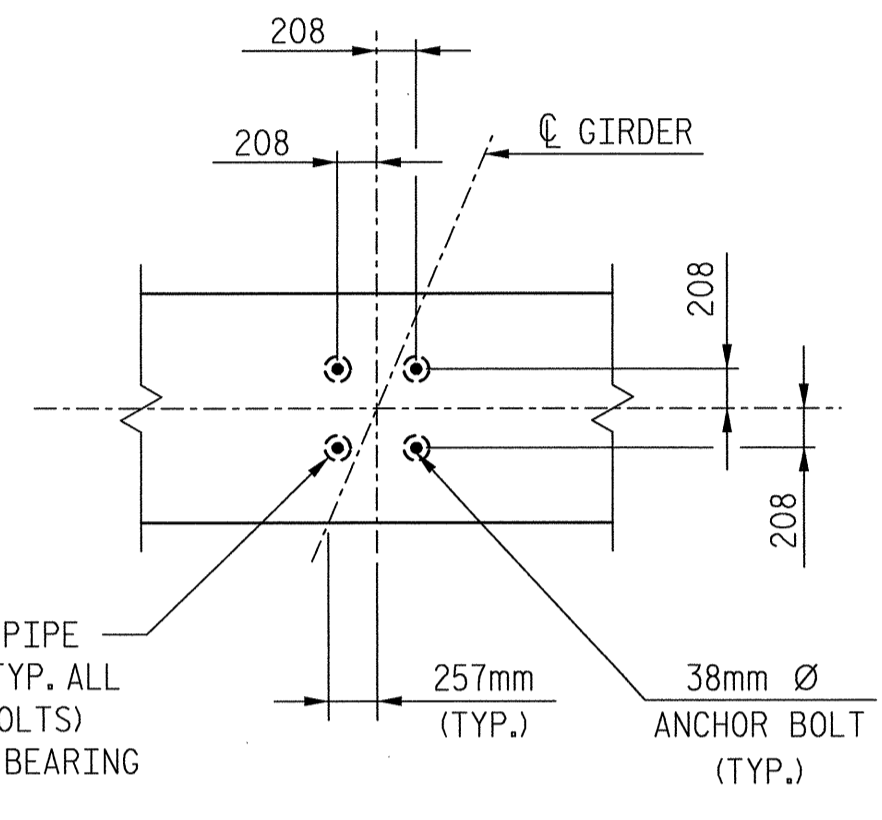
NOTES

HOOKS ON "V" BARS MAY BE TURNED AS NECESSARY FOR PLACING REINFORCING STEEL.

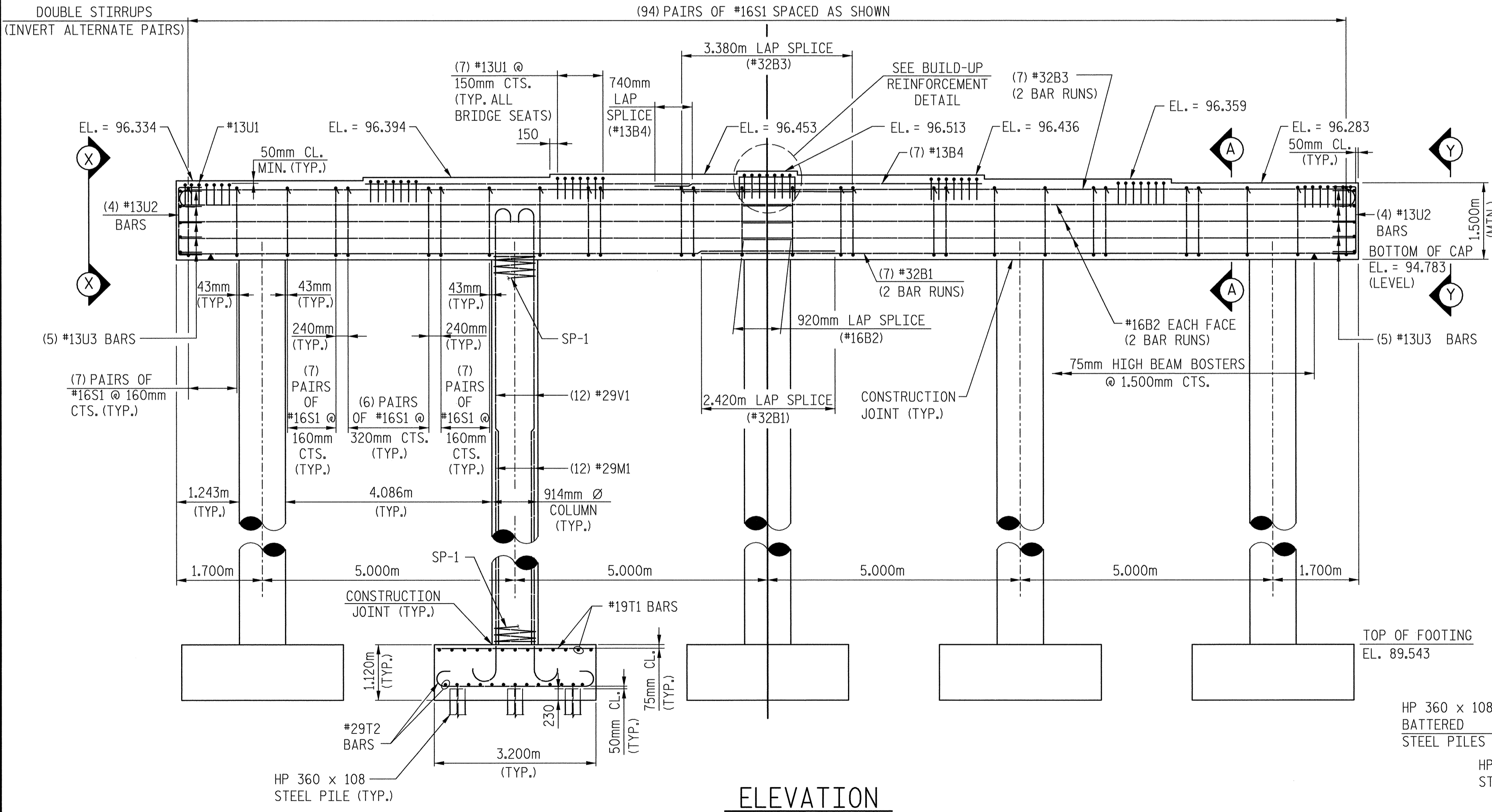
STIRRUPS AND "U" BARS IN CAP MAY BE SHIFTED SLIGHTLY AS NECESSARY.



PLAN OF CAP

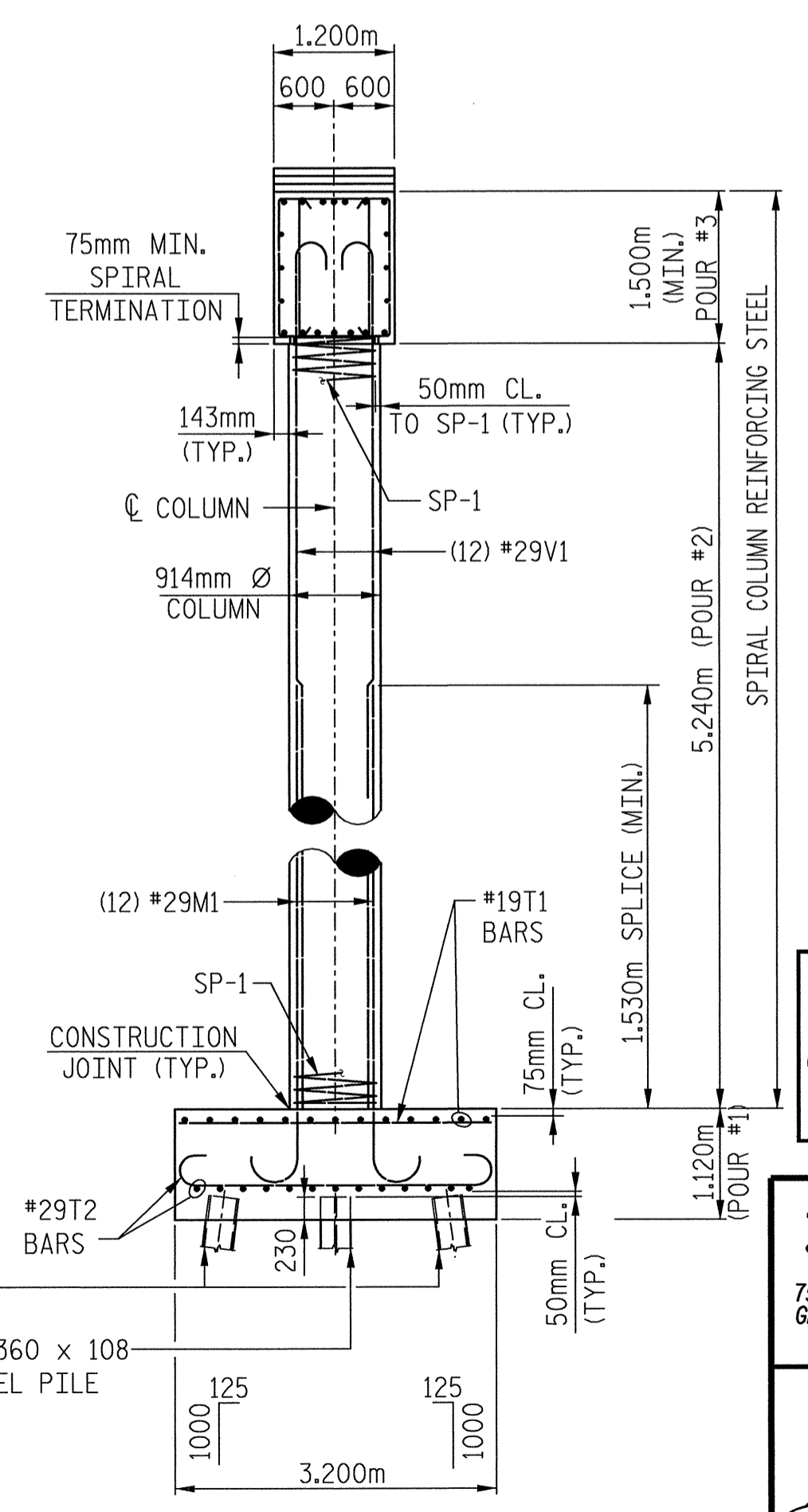


DETAIL-1

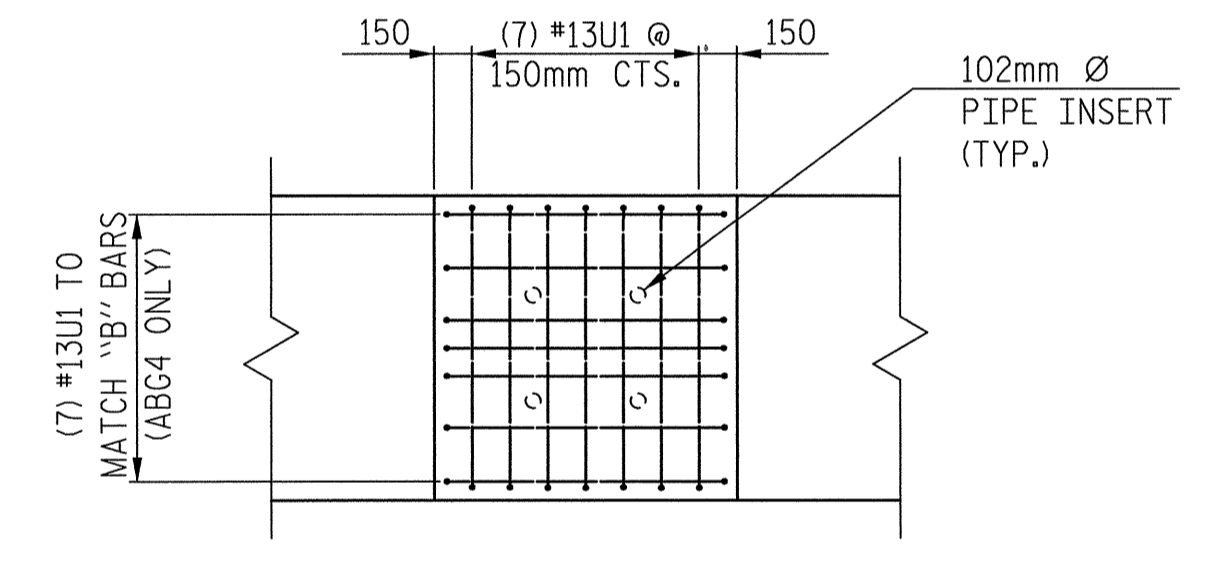


ELEVATION

NOTE: DETAILS SHOWN ARE TYPICAL FOR ALL COLUMNS AND PILE CAPS UNLESS OTHERWISE NOTED.



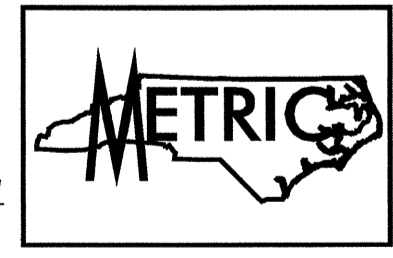
END ELEVATION



BUILD-UP REINFORCEMENT DETAIL

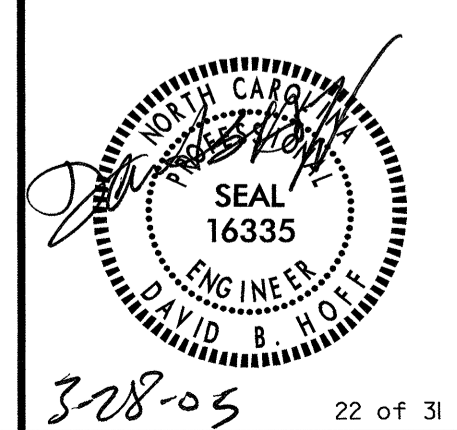
NOTE: #13U1 MAY REQUIRE FIELD ADJUSTING 30mm TO CLEAR PIPE INSERT.

PROJECT NO. **R-2552AB**
JOHNSTON COUNTY
 STATION: **52+34.693 -L- = 18+60.011 -Y2-**



SHEET 1 OF 2

TRANSYSTEMS CORPORATION
 75 Beattie Place, Suite 400
 Greenville, SC 29601 (864) 234-0866



STATE OF NORTH CAROLINA
DEPARTMENT OF TRANSPORTATION
 RALEIGH

SUBSTRUCTURE
BENT #1
PLAN AND ELEVATION

REVISIONS						SHEET NO.	
NO.	BY:	DATE:	NO.	BY:	DATE:	S-425	
1			3			TOTAL SHEETS 429	
2			4				

DRAWN BY: **M.L. MARLEY** DATE: **12/25/00**
 CHECKED BY: **D.B. HOFF** DATE: **4/01/03**

9:\004\0125\brdge\State2\F.in\11.25.03\1004b.tla.dgn
 3/22/2005
 10:56:20 AM