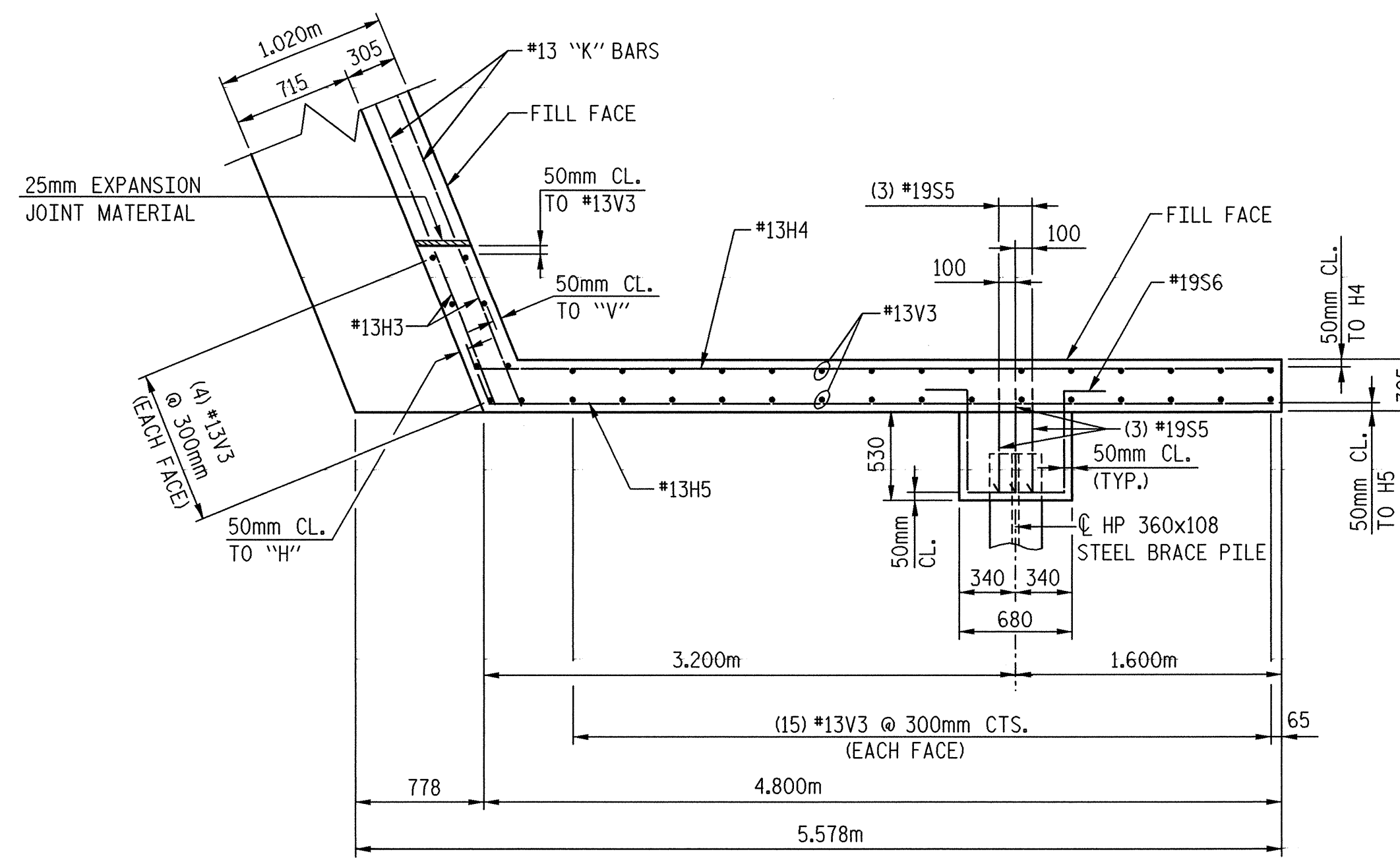
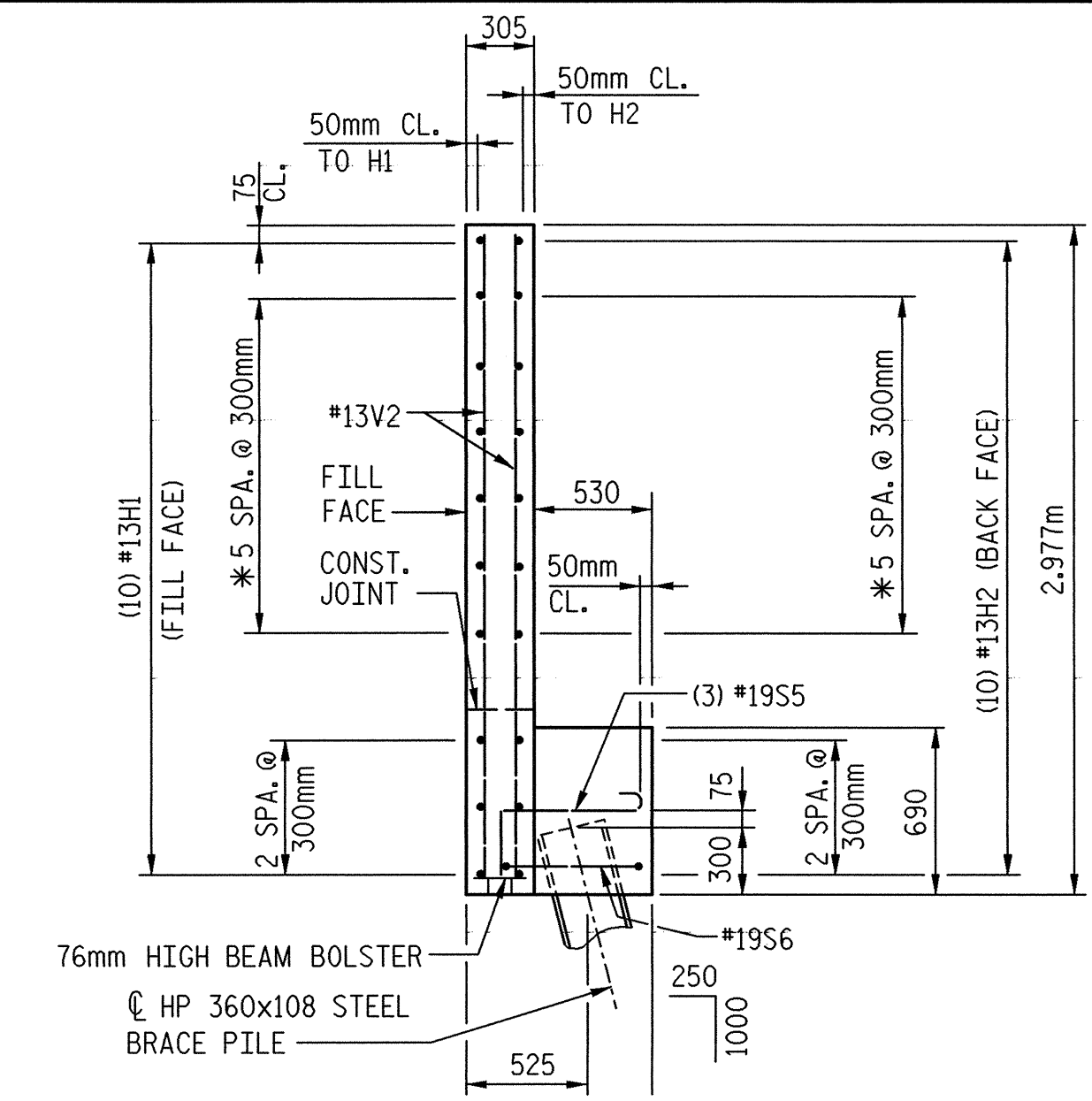


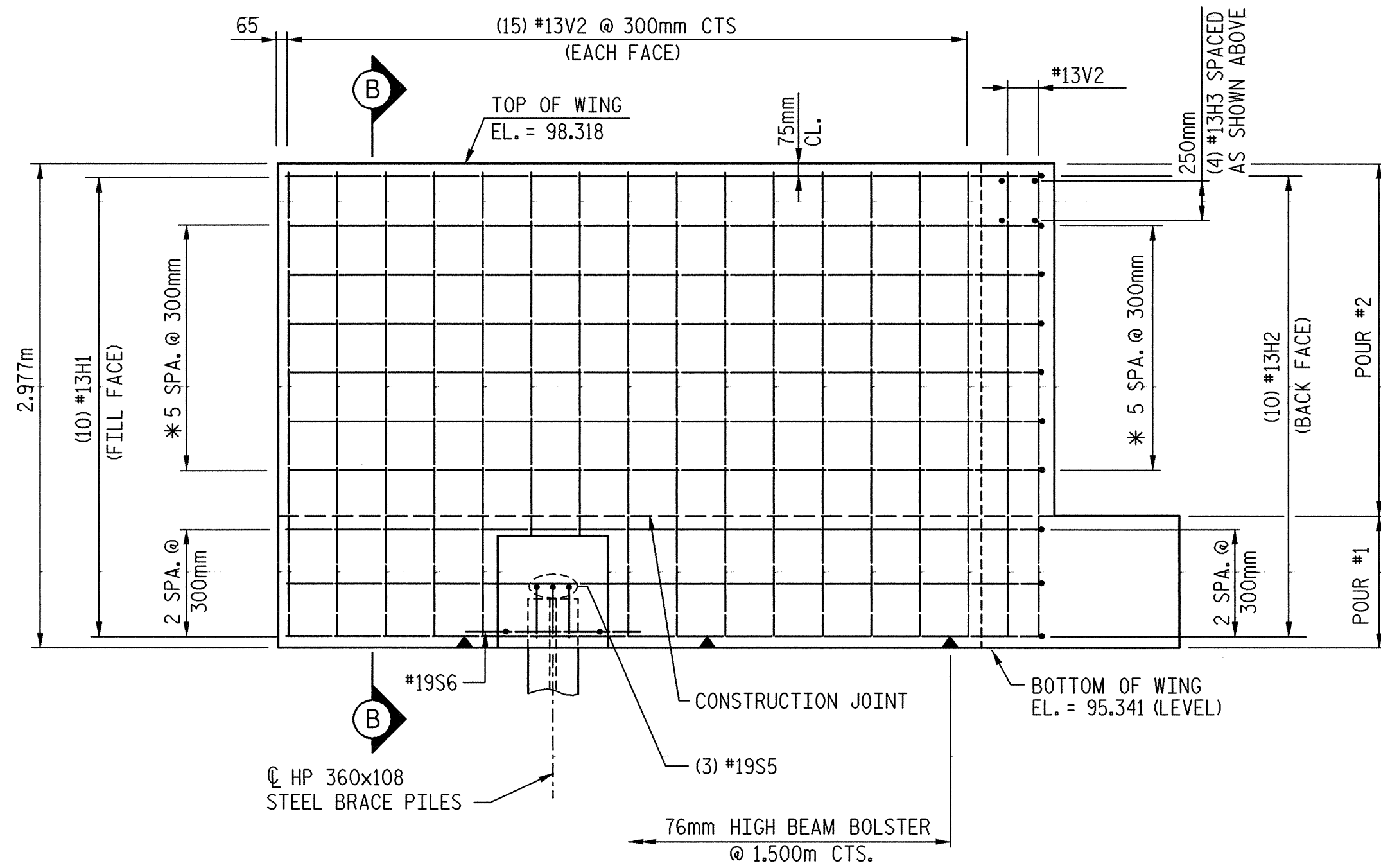
PLAN WING - W1



PLAN WING - W2

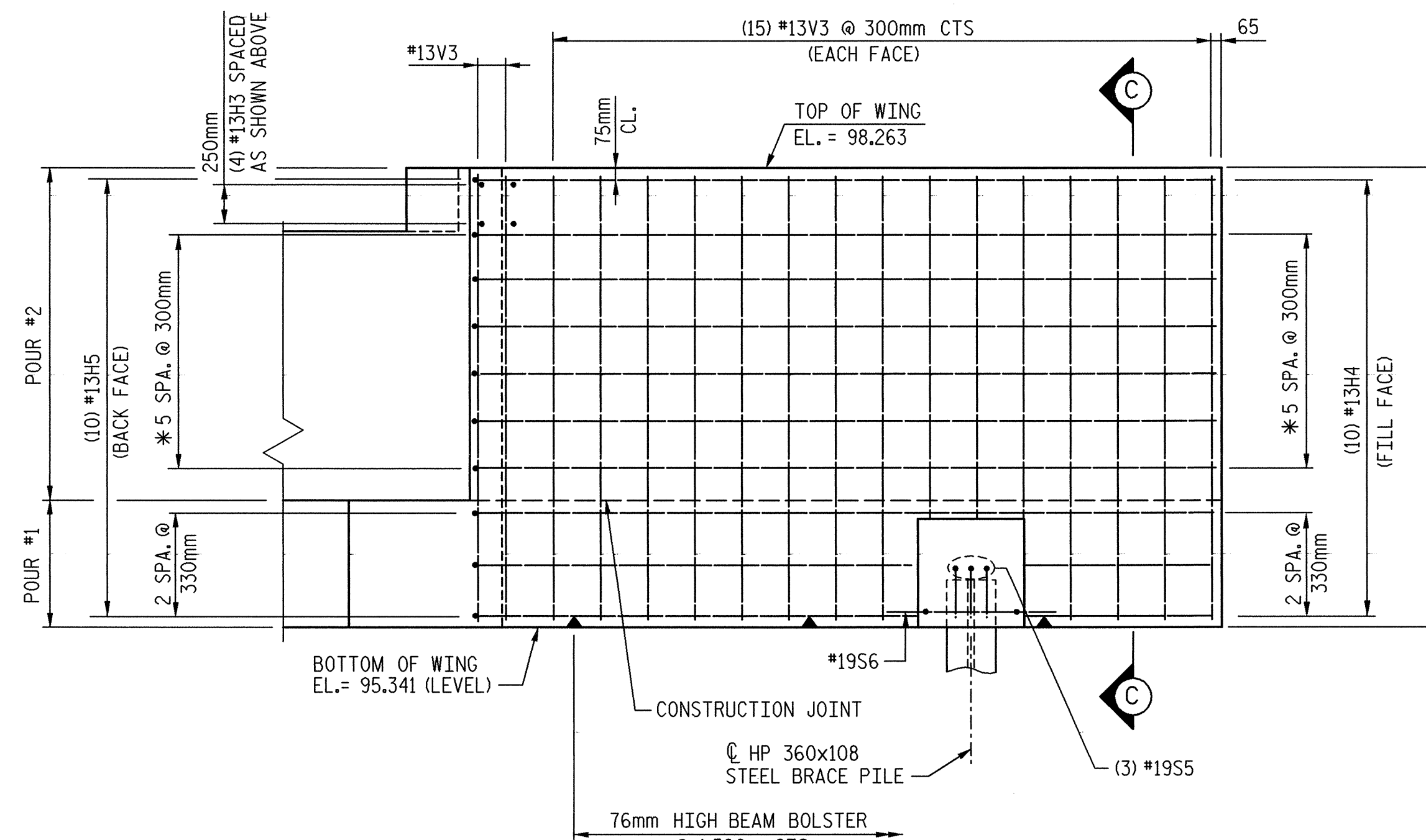


SECTION "B-B"



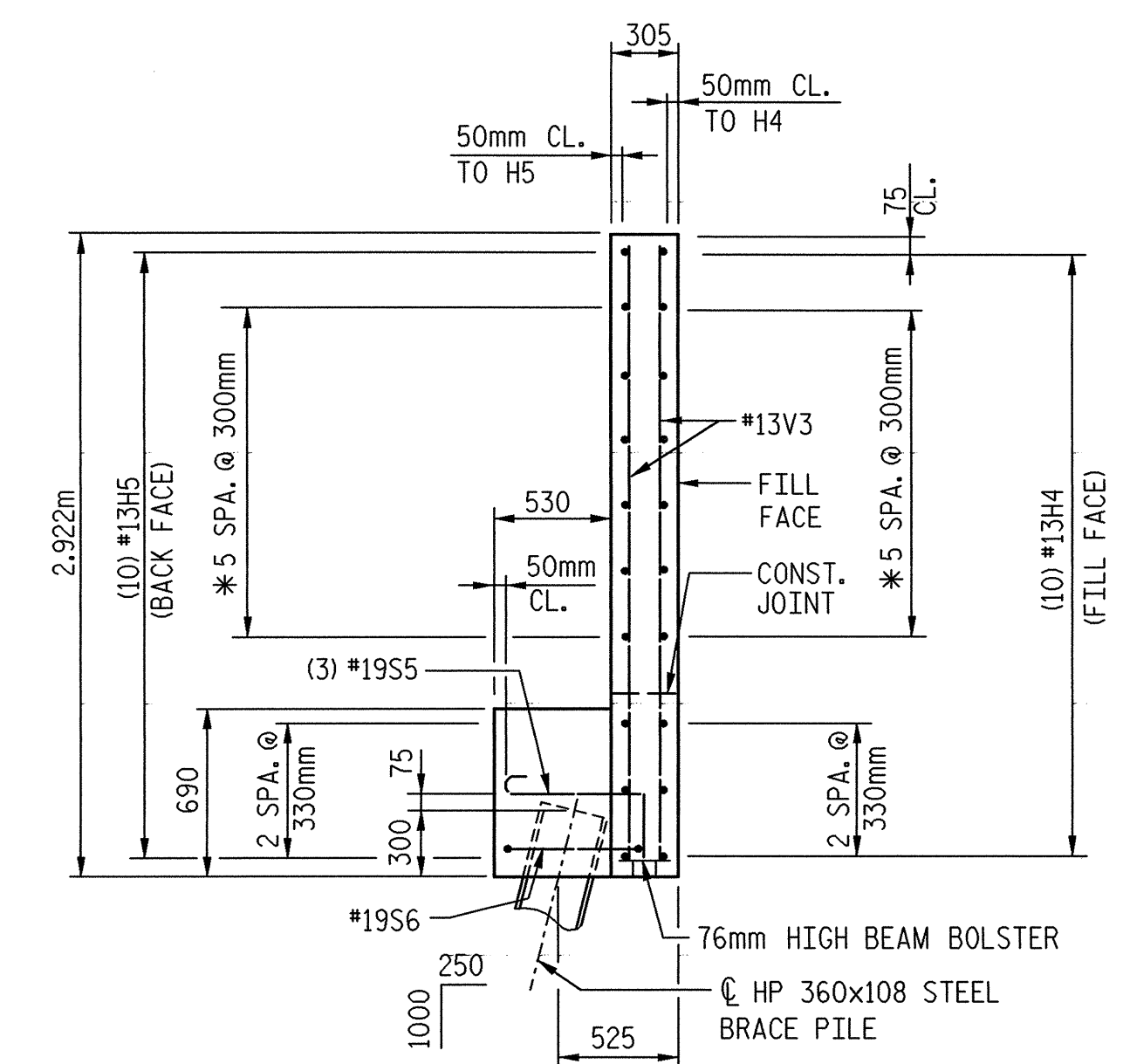
ELEVATION WING - W1

\* MATCH BARS TO "K" BARS IN BACKWALL



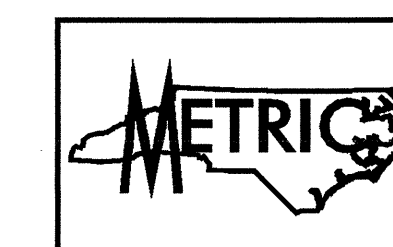
ELEVATION WING - W2

\* MATCH BARS TO "K" BARS IN BACKWALL

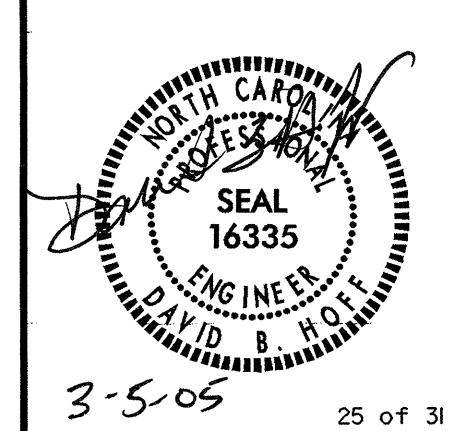


SECTION "C-C"

PROJECT NO. R-2552AB  
 JOHNSTON COUNTY  
 STATION: 52+34.693 -L-  
 18+60.011 -Y2-



TRANSYSTEMS CORPORATION  
 75 Beattie Place, Suite 400  
 Greenville, SC 29601 (864) 234-0866



STATE OF NORTH CAROLINA DEPARTMENT OF TRANSPORTATION RALEIGH					
SUBSTRUCTURE END BENT #2 DETAILS					
REVISIONS					
NO.	BY:	DATE:	NO.	BY:	DATE:
1			3		
2			4		
SHEET NO.					5-423
TOTAL SHEETS					429

g:\G04\0125\Bridges\Stee2\Final\11.25.03\1004ab2b.dgn  
 3/4/2005  
 3:52:08 PM

DRAWN BY: J.C. PENDERGRAFT DATE: 11/01  
 CHECKED BY: D.B. HOFF DATE: 12/01

3-5-05 25 of 31