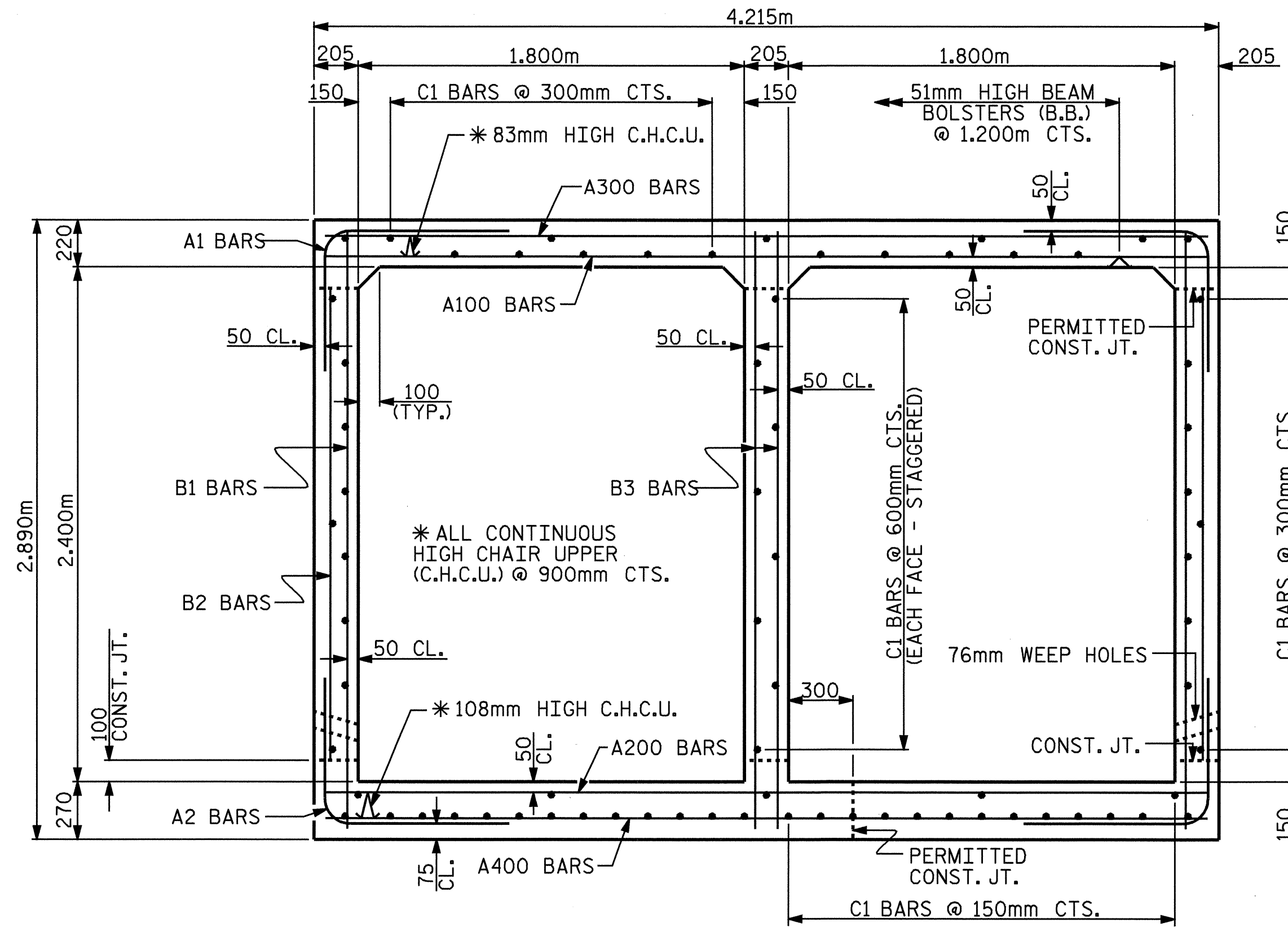


PLAN



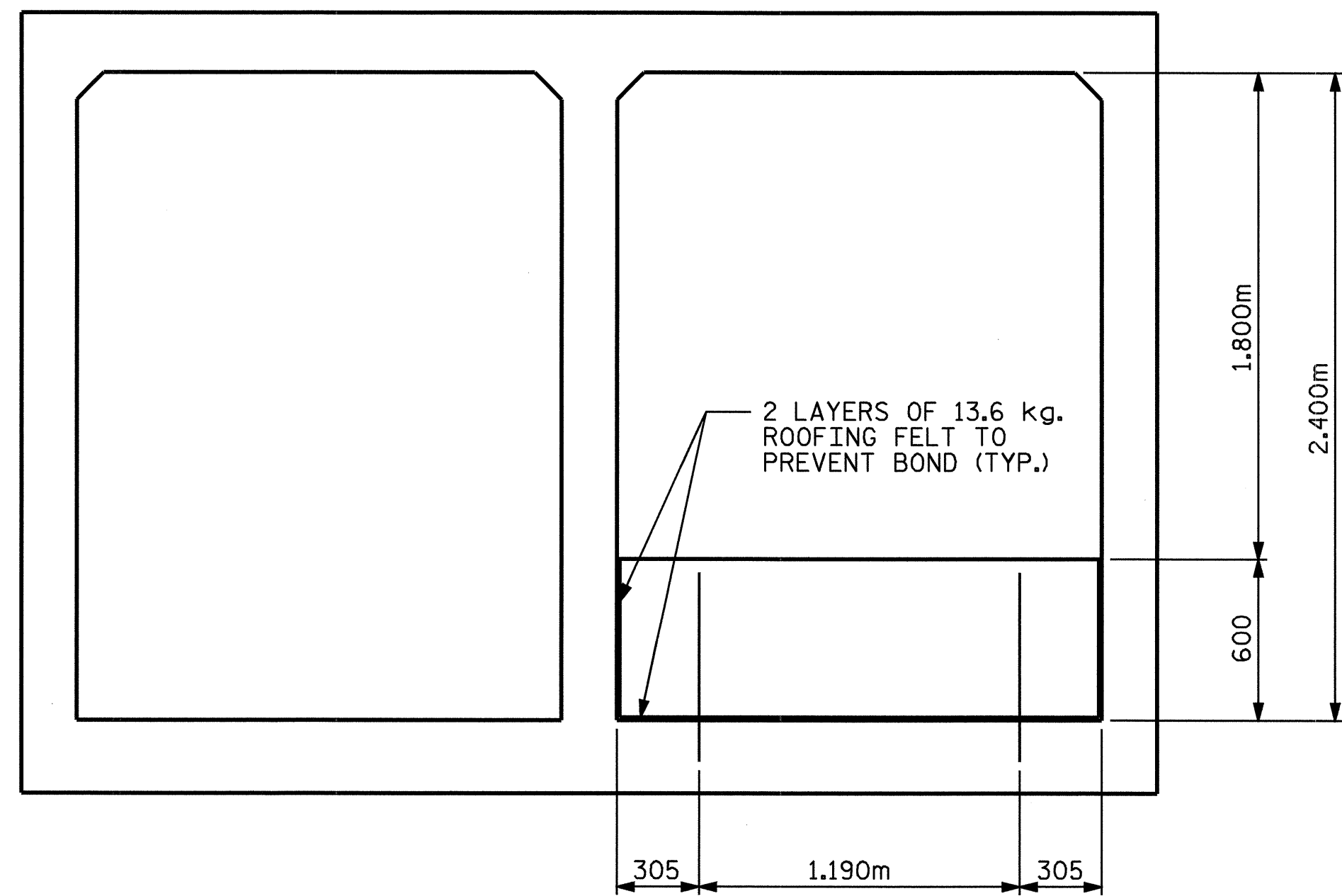
RIGHT ANGLE SECTION OF BARREL

THERE ARE 74 "C" BARS IN SECTION OF BARREL.

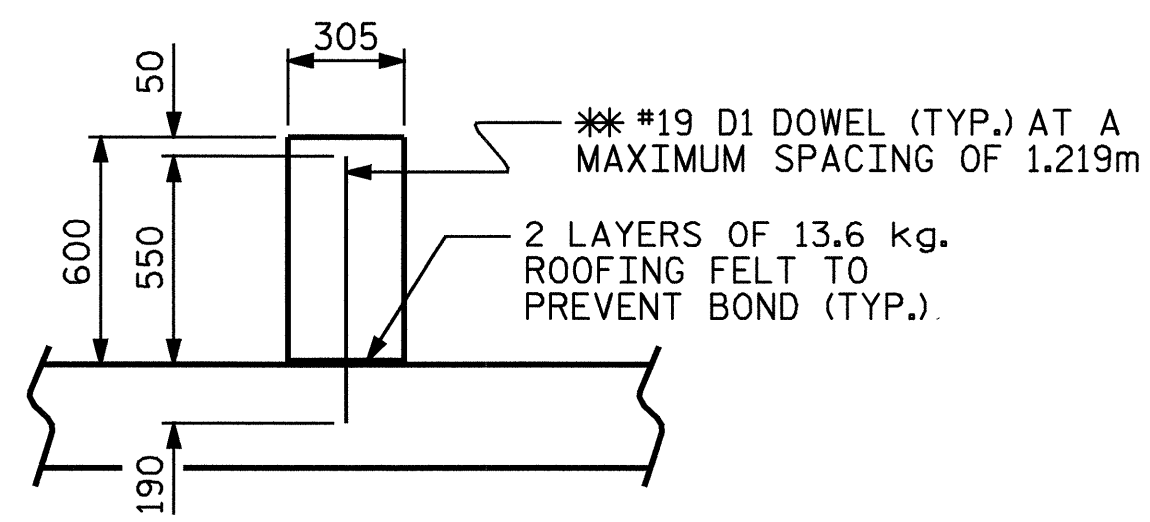
BILL OF MATERIAL						
BAR	NO.	SIZE	TYPE	LENGTH	WEIGHT	
A1	894	#13	6	1280	1137	
A2	894	#13	6	1300	1155	
A100	358	#13	STR	4060	1445	
A200	358	#13	STR	4060	1445	
A300	447	#16	STR	4060	2817	
A400	447	#16	STR	4060	2817	
B1	478	#13	STR	2720	1292	
B2	894	#13	STR	2180	1937	
B3	478	#13	STR	2720	1292	
C1	666	#13	STR	8460	5601	
D1	4	#19	STR	740	7	
G1	8	#16	STR	4080	51	
T1	32	#16	STR	1660	82	
REINFORCING STEEL					kg	21078

BAR TYPE		
DIMENSIONS ARE OUT TO OUT		

SPLICE LENGTH CHART		
A200	#13	540
A400	#16	540
B1	#13	540
B3	#13	540
C1	#13	590



ELEVATION VIEW - INLET



** DOWELS MAY BE PUSHED INTO GREEN CONCRETE AFTER SLAB HAS BEEN FLOAT FINISHED.

SECTION THROUGH LOW SILL

CULVERT SILL DETAILS

DRAWN BY : A.M.KEETER DATE : 2/16/05
 CHECKED BY : M.G.CHEEK DATE : 2/21/05

23-MAR-2005 11:25
 R:\Structures\R2552ab\squadd\akeeter\Microstation\R2552AB.sd_CU.dgn
 ameadows

PROJECT NO. R-2552AB
 JOHNSTON COUNTY
 STATION: 57+17.000 -L-

SHEET 3 OF 4

STATE OF NORTH CAROLINA
 DEPARTMENT OF TRANSPORTATION
 RALEIGH
 DOUBLE
 1.800m X 2.400m
 CONCRETE BOX CULVERT



REVISIONS						SHEET NO.
NO.	BY:	DATE:	NO.	BY:	DATE:	C-7
1			3			TOTAL SHEETS
2			4			8

STR. #11