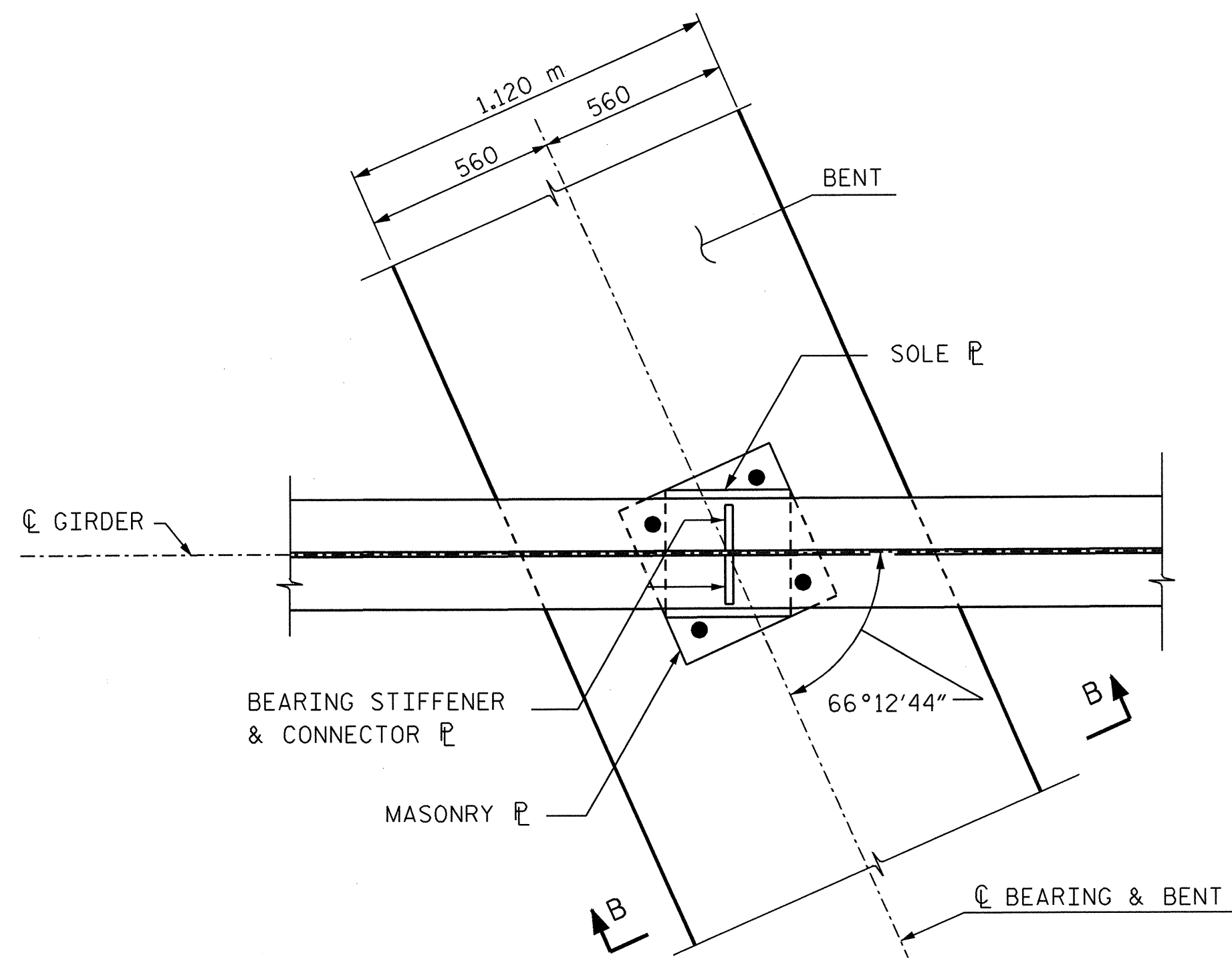
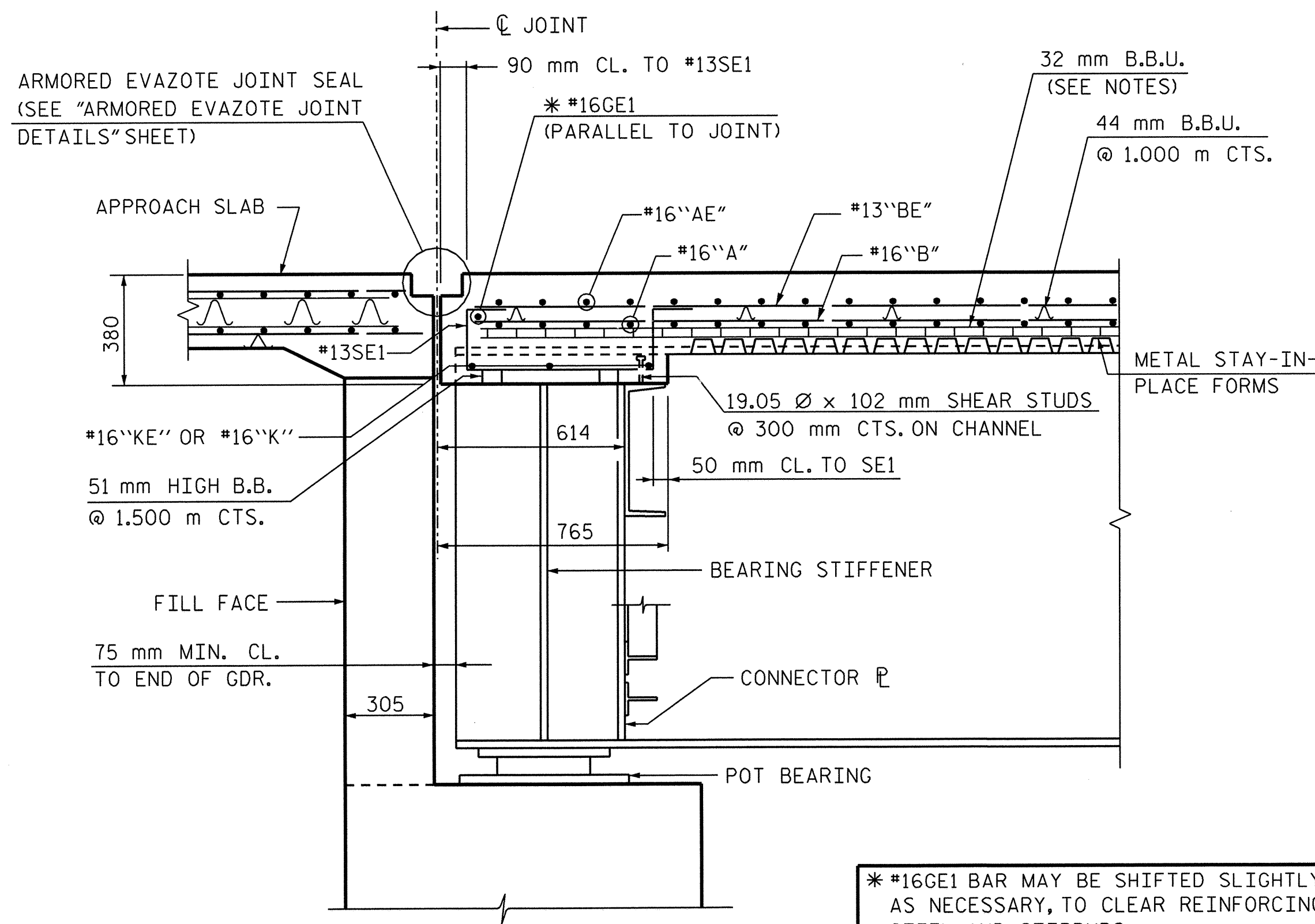


PLAN DETAIL OF END BENT JOINT
(END BENT 1 SHOWN, END BENT 2 SIMILAR)

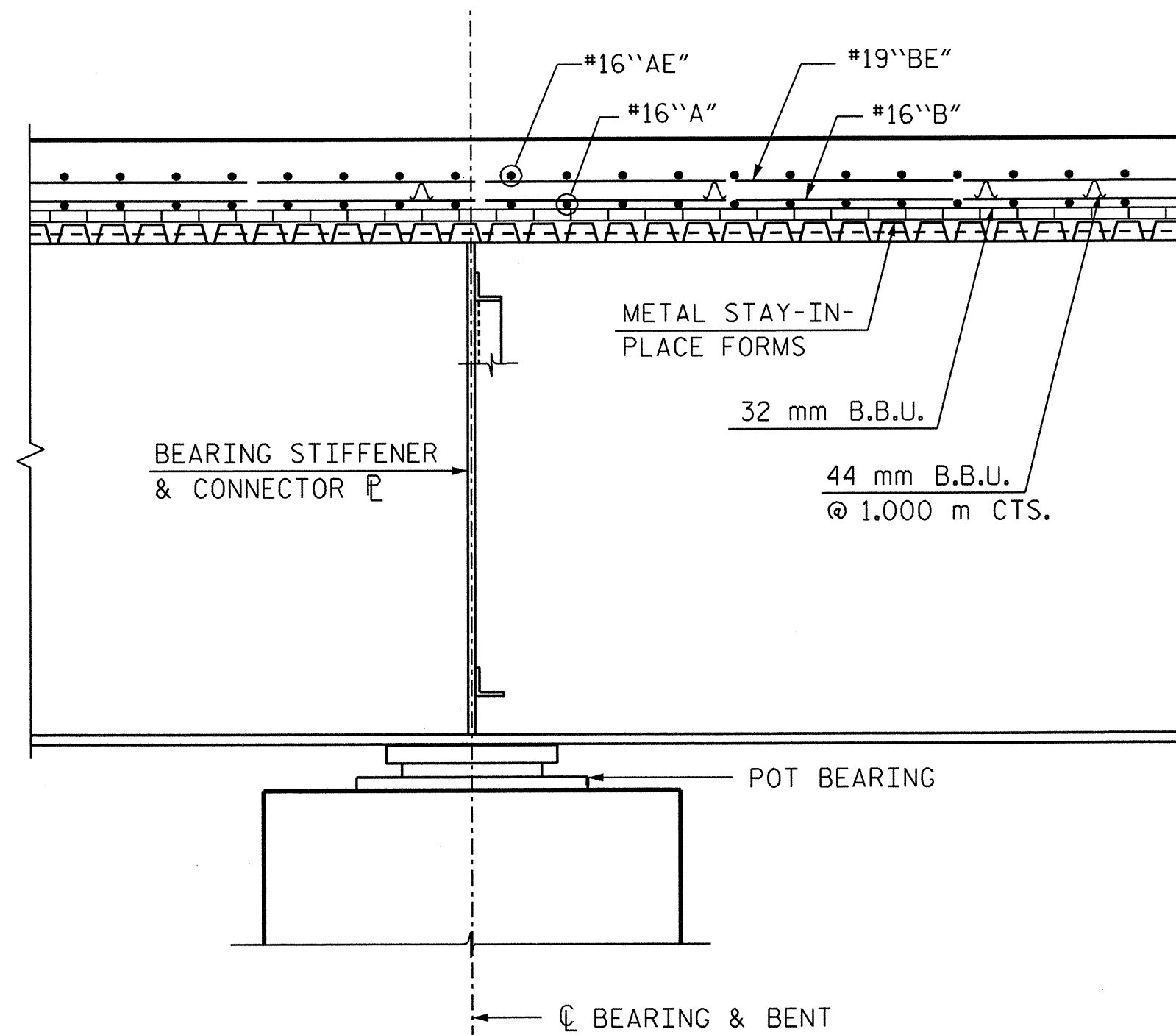


PLAN DETAIL OF BENT 1 & 2



SECTION A-A
(DIMENSIONS SHOWN ARE NORMAL TO THE END BENT)

*#16GE1 BAR MAY BE SHIFTED SLIGHTLY, AS NECESSARY, TO CLEAR REINFORCING STEEL AND STIRRUPS.



SECTION B-B

PROJECT NO. R-2552AA
WAKE / JOHNSTON COUNTY
STATION: 19+25.877 -I1Y1- P.O.T.

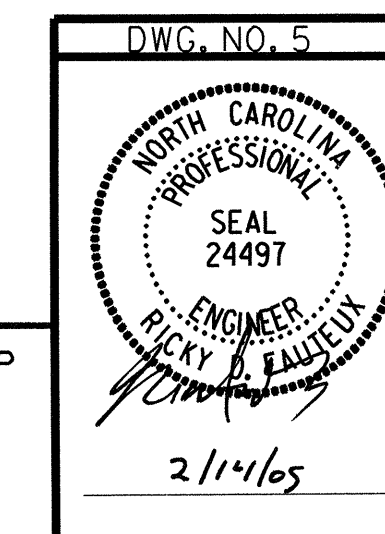
SHEET 2 OF 2

STATE OF NORTH CAROLINA
DEPARTMENT OF TRANSPORTATION
RALEIGH

SUPERSTRUCTURE
TYPICAL SECTION
DETAILS

JANUARY 2005

NO.		BY:		DATE:		REVISIONS		SHEET NO.	
1						3		5-5	TOTAL SHEETS
2						4		429	



RUMMEL, KLEPPER & KAHL, LLP
consulting engineers
5800 FARINGDON PLACE - SUITE 105
RALEIGH, NORTH CAROLINA 27609-3960

G:\COMMONS\304046\BRIDGE\SITE\DN\FINAL\R2552AA-SD-TS2-01.DGN

DRAWN BY: B. PARRISH DATE: 01/05
CHECKED BY: R. D. FAUTEUX DATE: 01/05