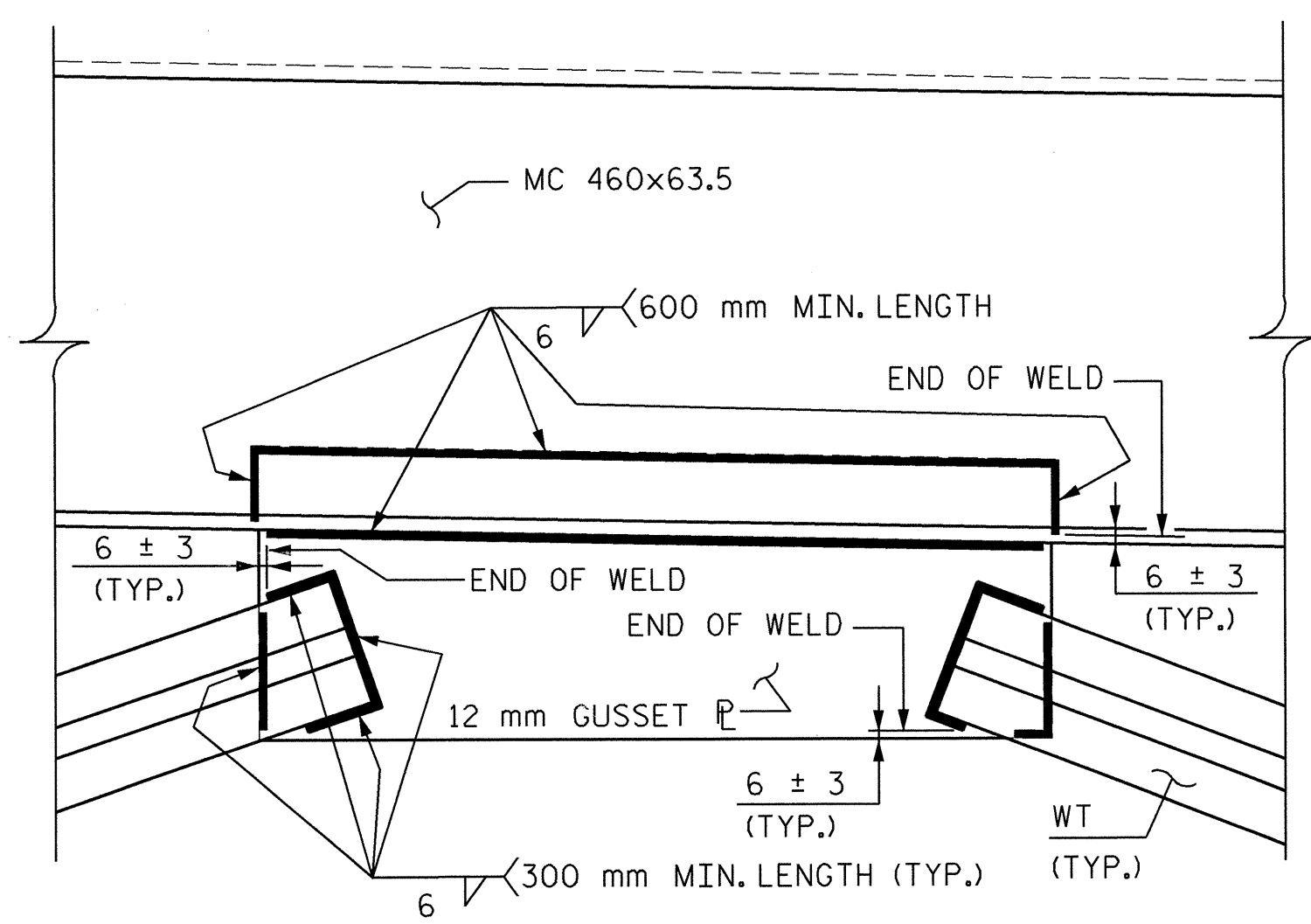
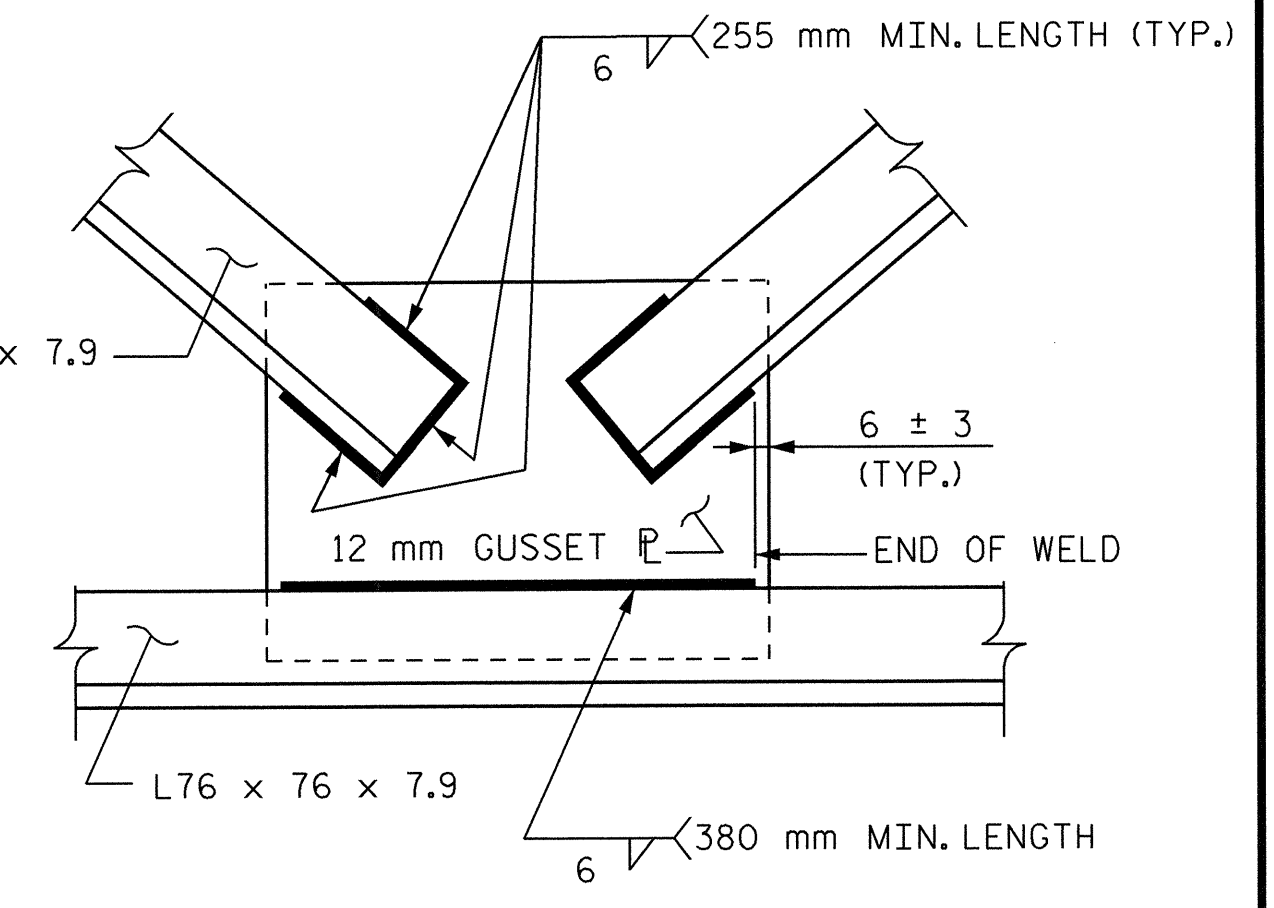


**TYPICAL END BENT DIAPHRAGM**

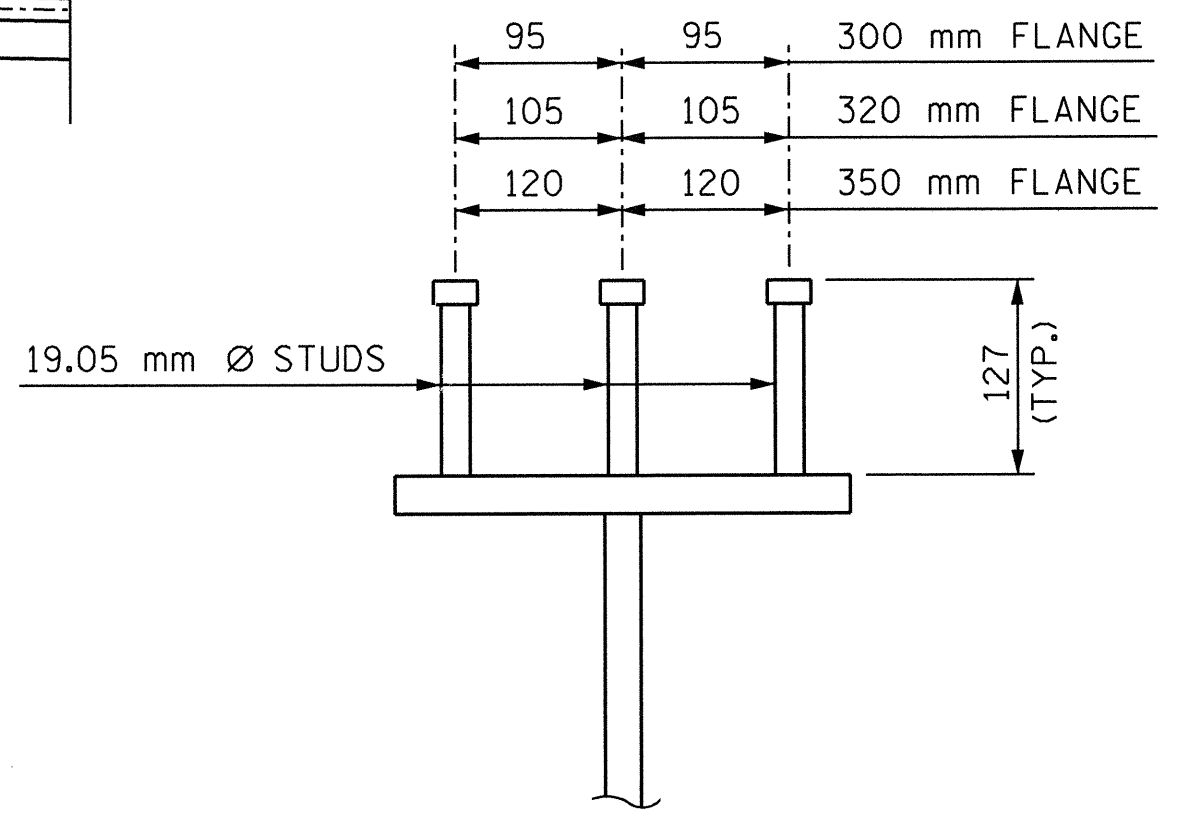
\* PER BRIDGE WELDING CODE FIG. 2.3(C)  
BEVEL IF NECESSARY (TYP.)



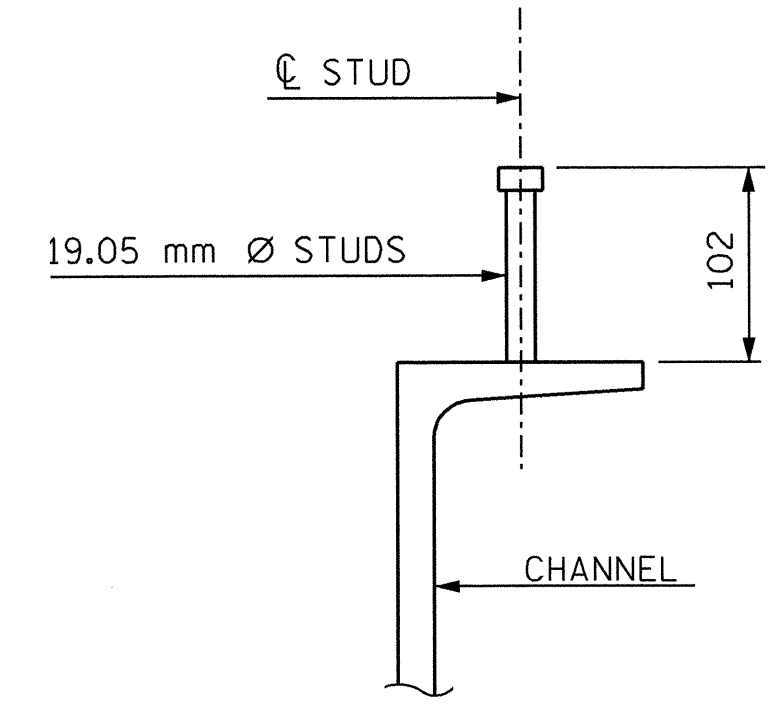
**TYPICAL GUSSET PLATE WITH CHANNEL AND "TEE" WELD CONNECTIONS**



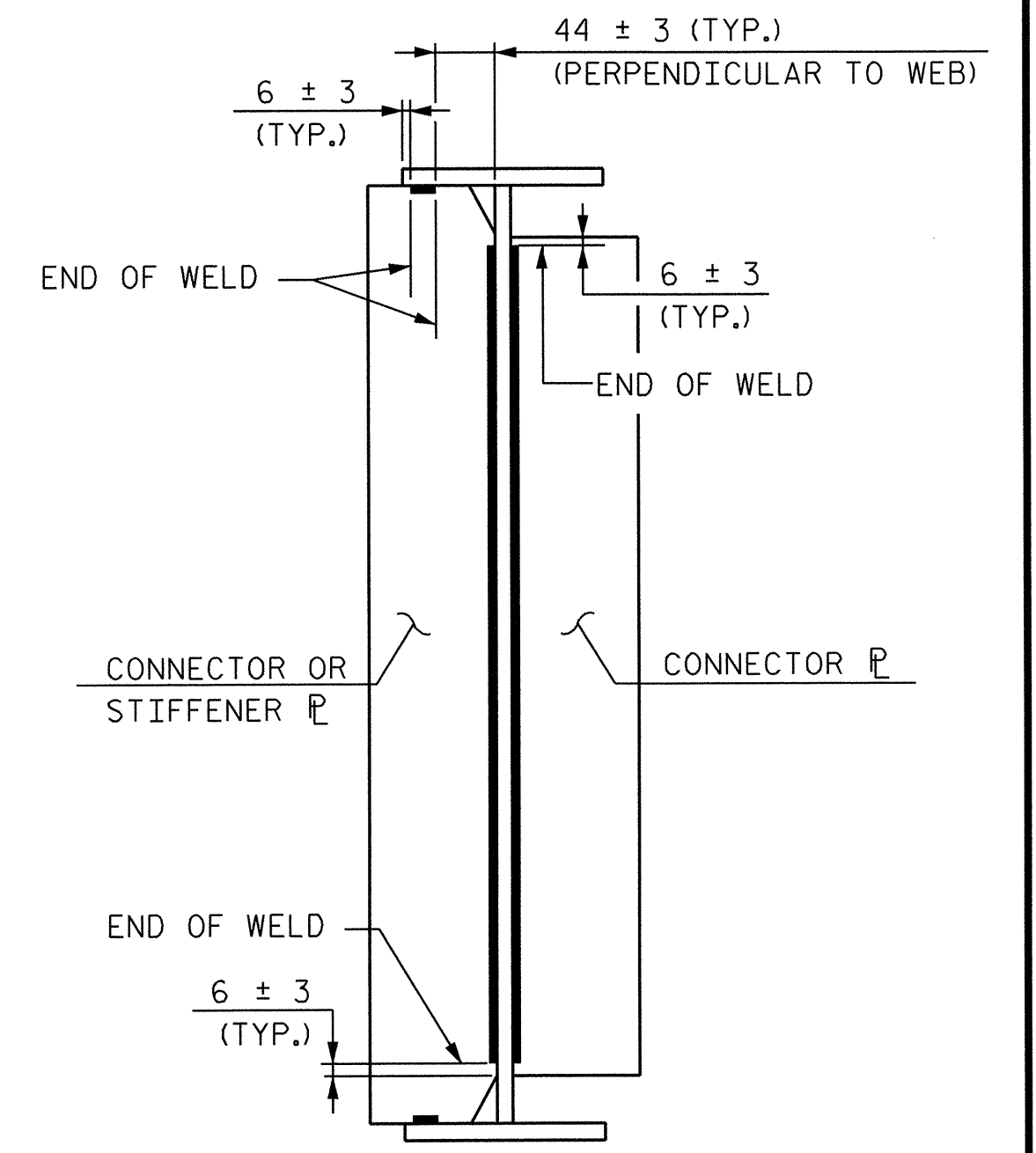
**TYPICAL GUSSET PLATE AND ANGLE WELD CONNECTIONS**



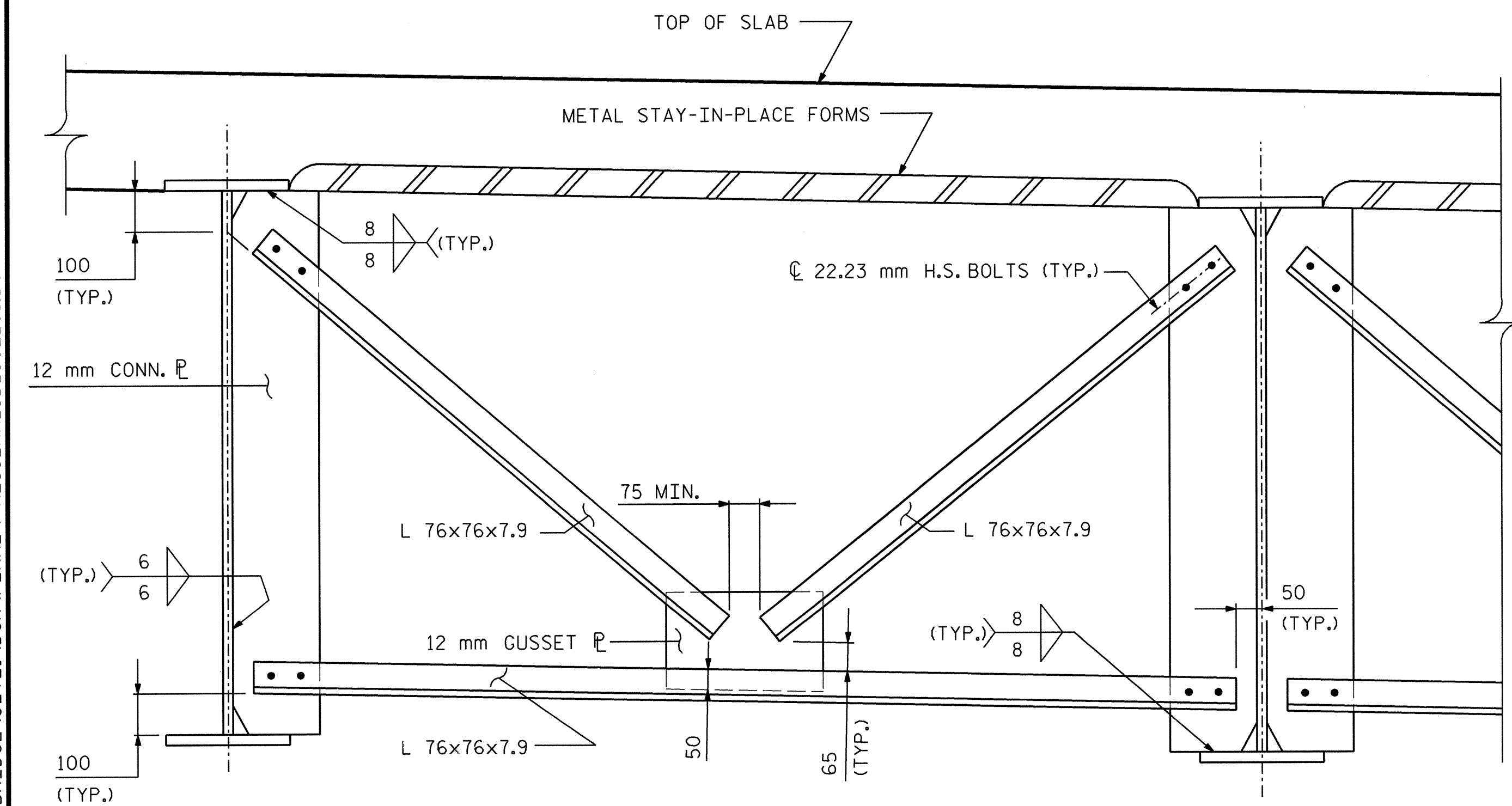
**SHEAR STUD CONNECTORS**



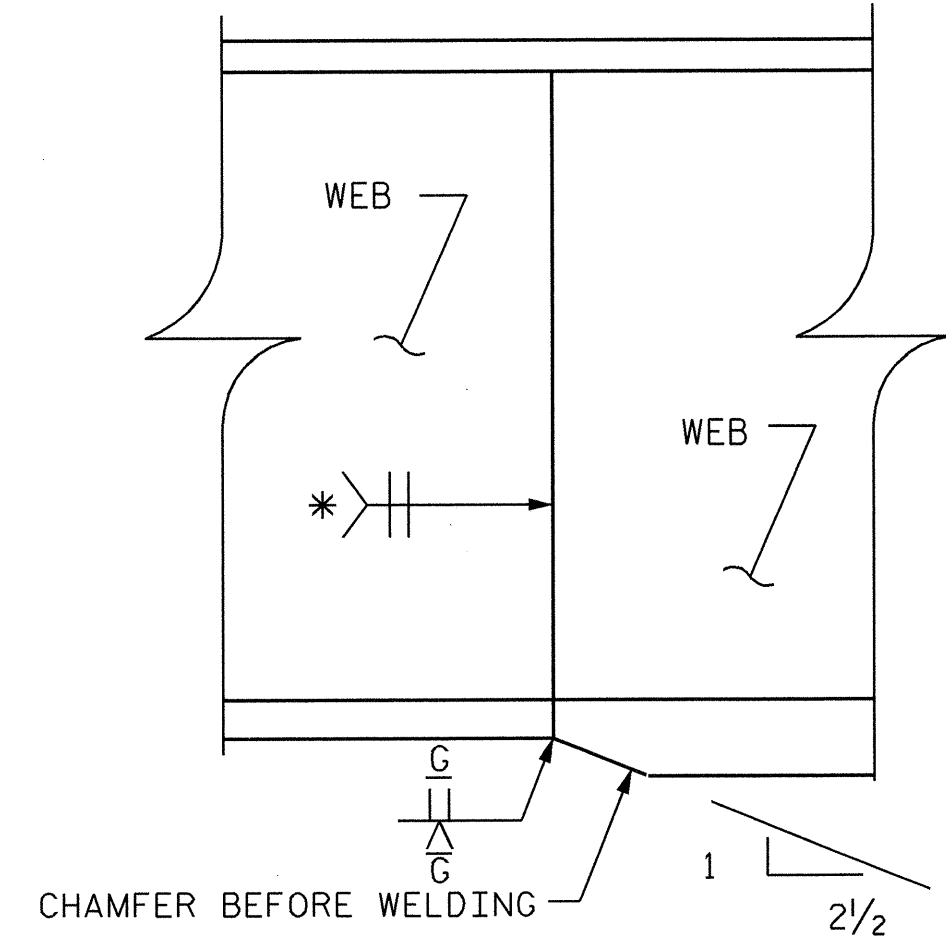
**CHANNEL STUD CONNECTORS**



**CONNECTOR OR STIFFENER PLATE WELD CONNECTIONS**

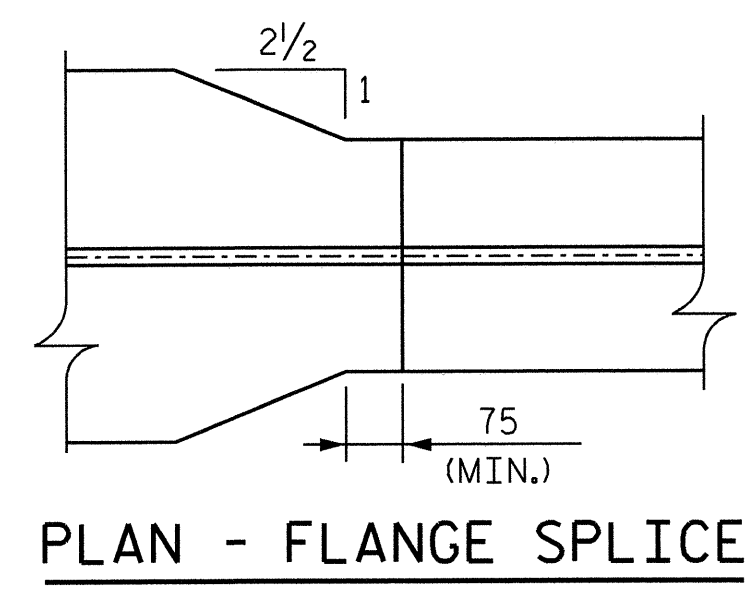


**TYPICAL INTERMEDIATE DIAPHRAGM**



**ELEVATION OF GIRDER**

\* GRIND SMOOTH AND FLUSH ON OUTER FACE OF EXTERIOR GIRDERS



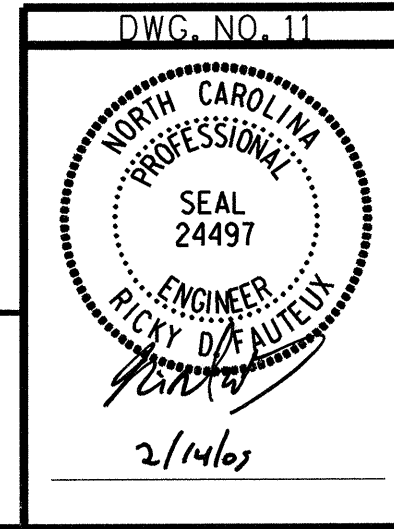
**PLAN - FLANGE SPLICE**

**PERMITTED SHOP SPLICE DETAILS**

PROJECT NO. R-2552AA  
WAKE / JOHNSTON COUNTY  
STATION: 19+25.877 -I1Y1- P.O.T.

SHEET 2 OF 4

STATE OF NORTH CAROLINA DEPARTMENT OF TRANSPORTATION RALEIGH					
SUPERSTRUCTURE GIRDER DETAILS					
JANUARY				2005	
REVISIONS					
NO.	BY:	DATE:	NO.	BY:	DATE:
1			3		
2			4		
					SHEET NO. 5-11 TOTAL SHEETS 429



**RUMMEL, KLEPPER & KAHL, LLP**  
consulting engineers  
5800 FARINGTON PLACE - SUITE 105  
RALEIGH, NORTH CAROLINA 27609-3960

G:\COMMONS\304046\BRIDGE\SITE\INDGN\FINAL\ R2552AA.SD.SS2.01.DGN

DRAWN BY: B. PARRISH DATE: 01/05  
CHECKED BY: R. D. FAUTEUX DATE: 01/05