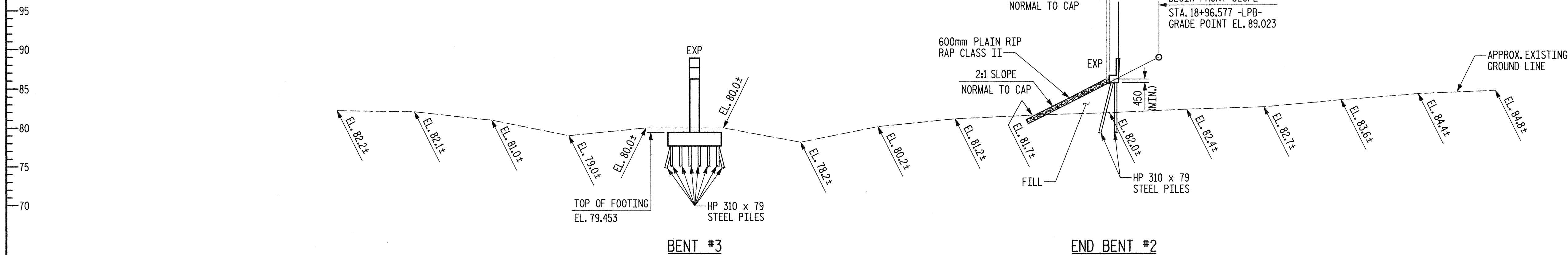


+2.0465% -4.9852%
 18+00
 PVI STA. 17+90.000 -LPB-
 PVI EL. = 94.336
 V.C. = 195.000m

GRADE DATA -LPB-

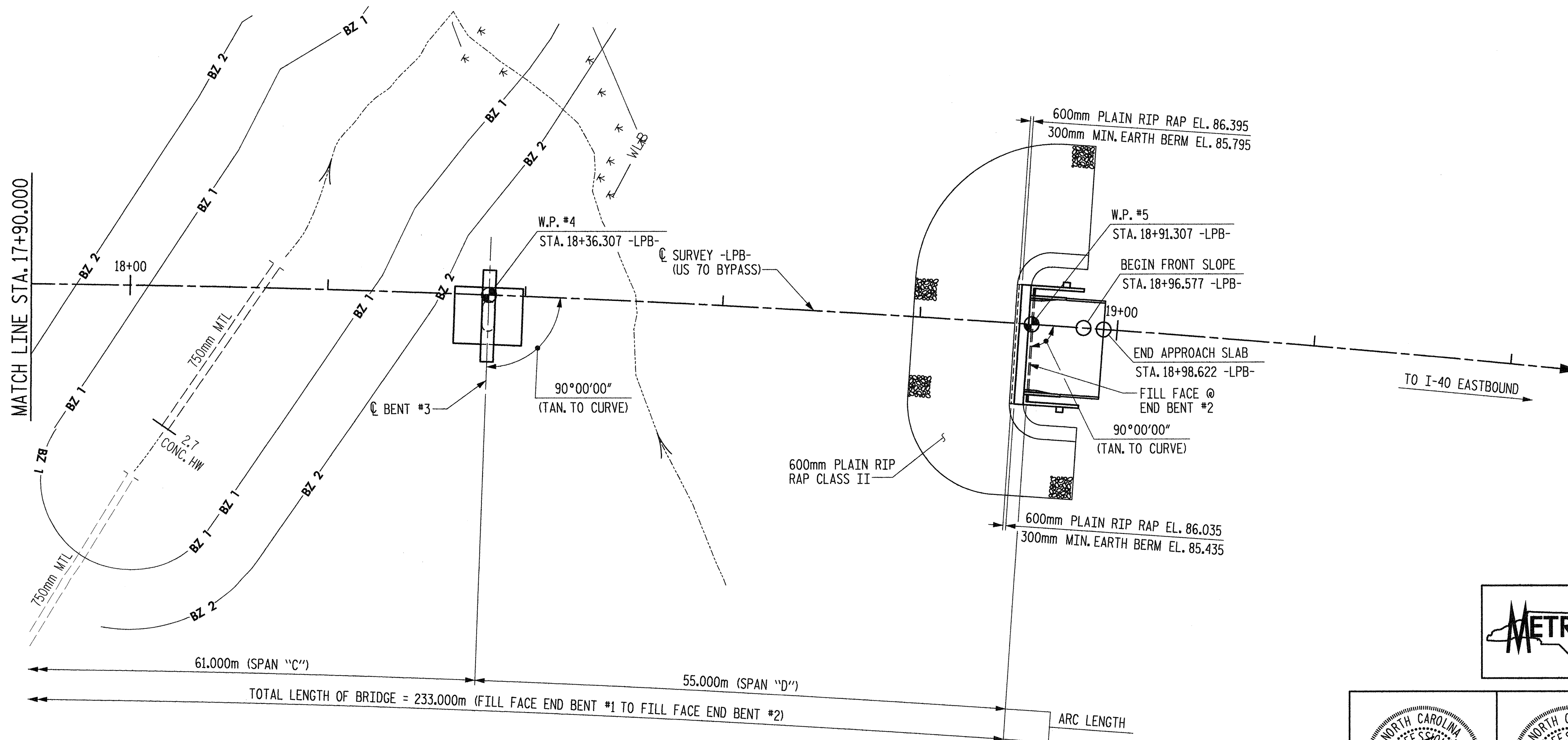
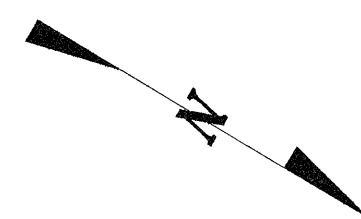
SPAN "C"

SPAN "D"



SECTION ALONG C SURVEY -LPB-

(BENTS ON SECTION AT RIGHT ANGLES TO BENTS)

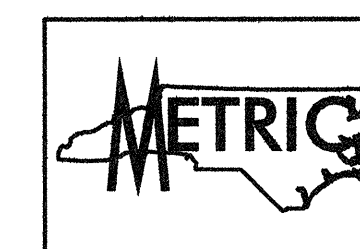


PLAN
 (PILES NOT SHOWN FOR CLARITY)

HORIZ. CURVE DATA -LPB-

PI STA. 15+69.914 -LPB-
 $\Delta = 30^\circ 40' 16.2''$ (RT.)
 L = 936.798m
 T = 479.914m
 R = 1,750.000m

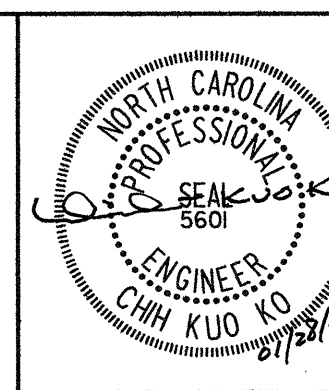
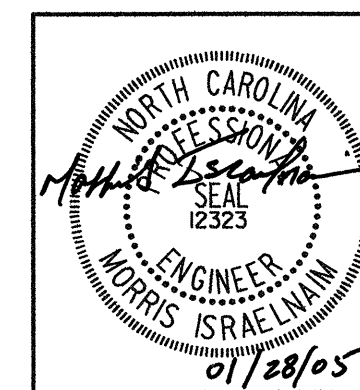
PROJECT NO. R-2552AA
 WAKE-JOHNSTON COUNTY
 STATION: POT 27+51.601 -I1Y1-
 POC 17+13.807 -LPB-
 SHEET 2 OF 5 BRIDGE NO. 1087



STATE OF NORTH CAROLINA
 DEPARTMENT OF TRANSPORTATION
 RALEIGH

GENERAL DRAWING
 FOR BRIDGE ON LOOP B (US 70 BYPASS)
 OVER EXISTING I-40
 BETWEEN SR 1525 (CORNWALLIS ROAD)
 AND SR 2703 (NEW BETHEL ROAD)

REVISIONS						SHEET NO.
NO.	BY:	DATE:	NO.	BY:	DATE:	TOTAL SHEETS
1			3			429
2			4			



Plans prepared by:
KO & ASSOCIATES, P.C.
 Consulting Engineers
 101 SCHAU DR., SUITE #202
 RALEIGH, N.C. 27606
 For Division of Highways

DWG. NO. 2

PLOT: 01/26/2005 08:47:42 AM Ko & Associates, P.C.
 FILE NAME: r:\2552aa.spl.dwg

DRAWN BY: B.E. LANNING DATE: JAN. 2005
 CHECKED BY: J.C. KO / A.K. ORR DATE: JAN. 2005