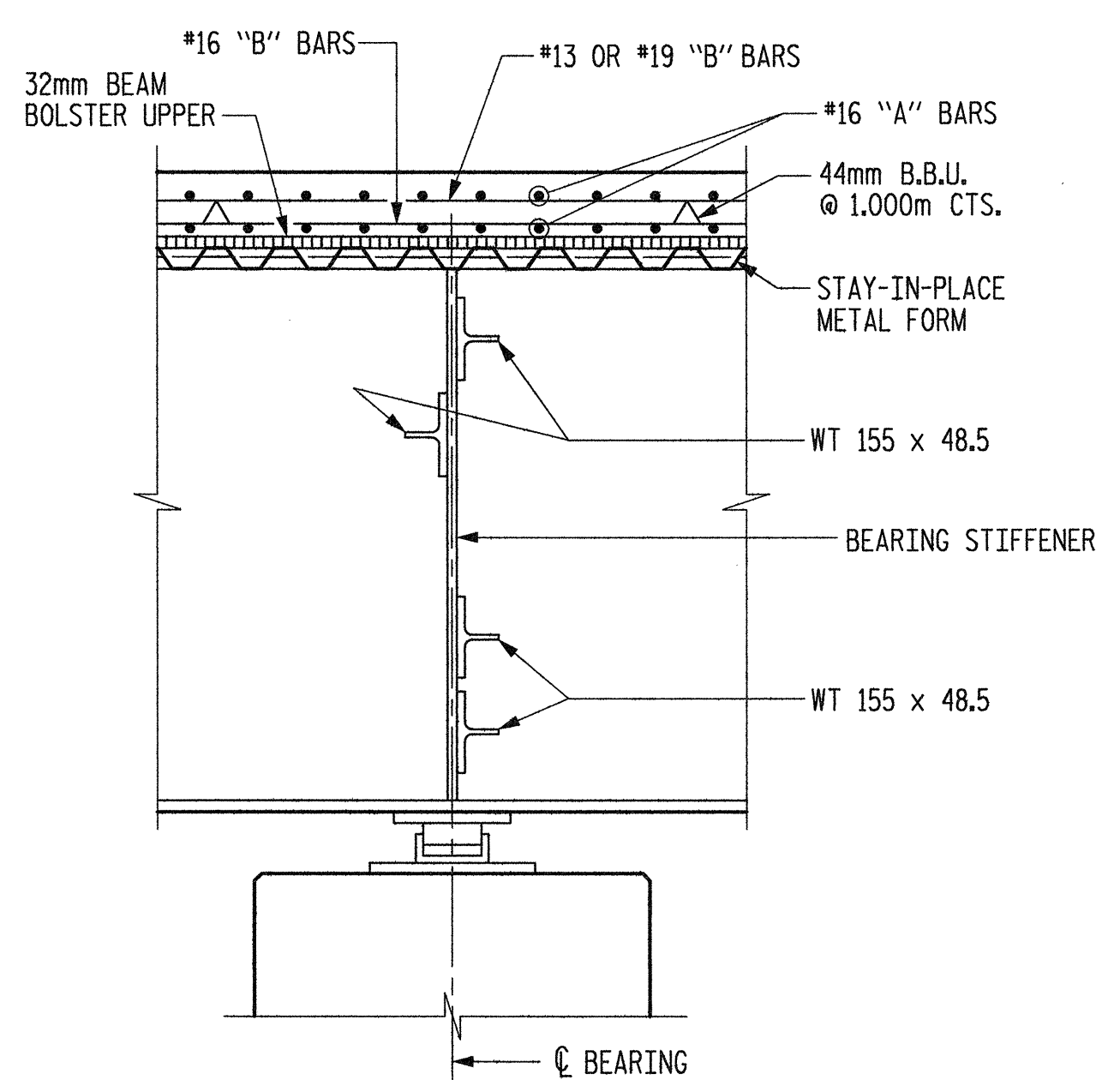
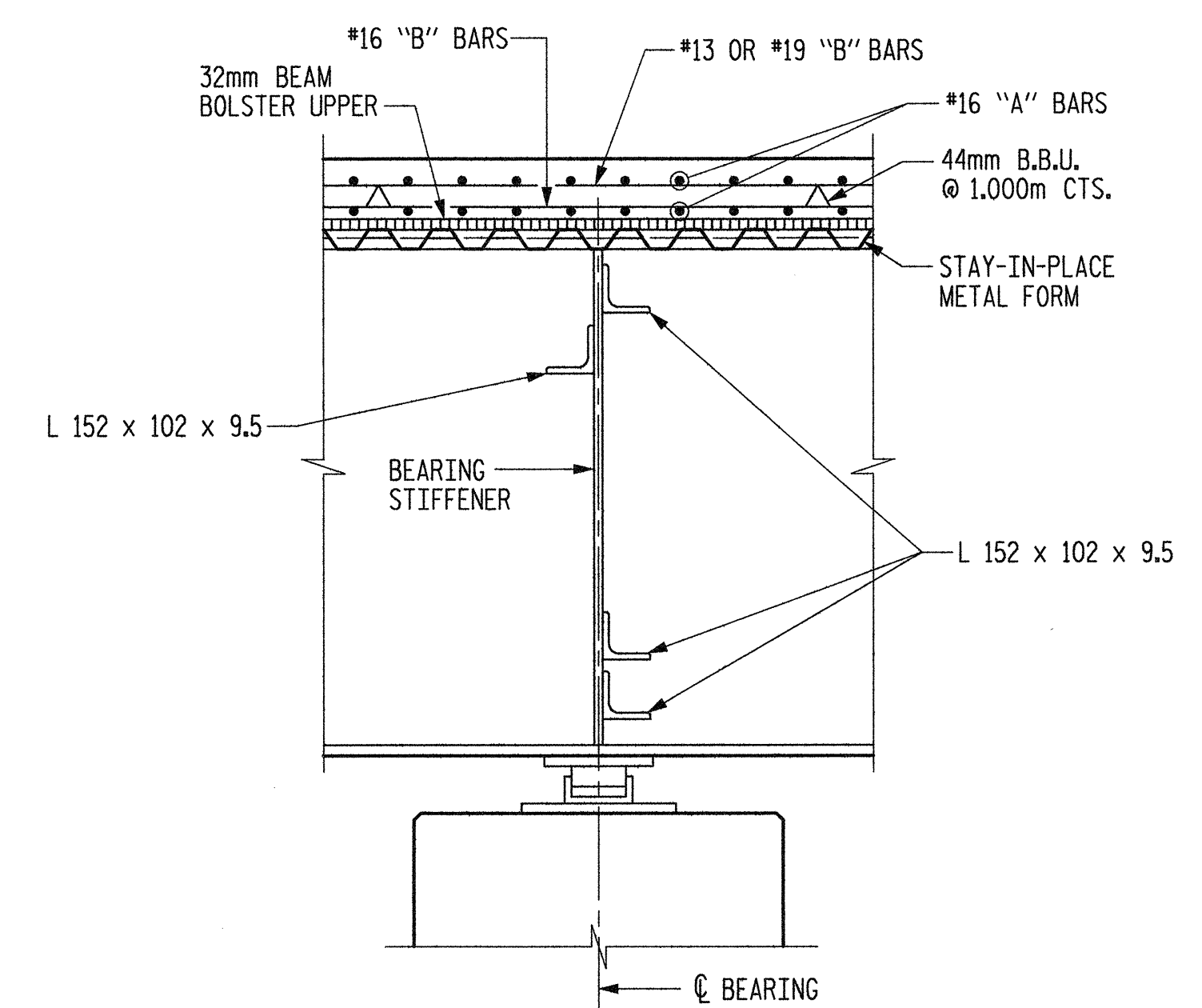


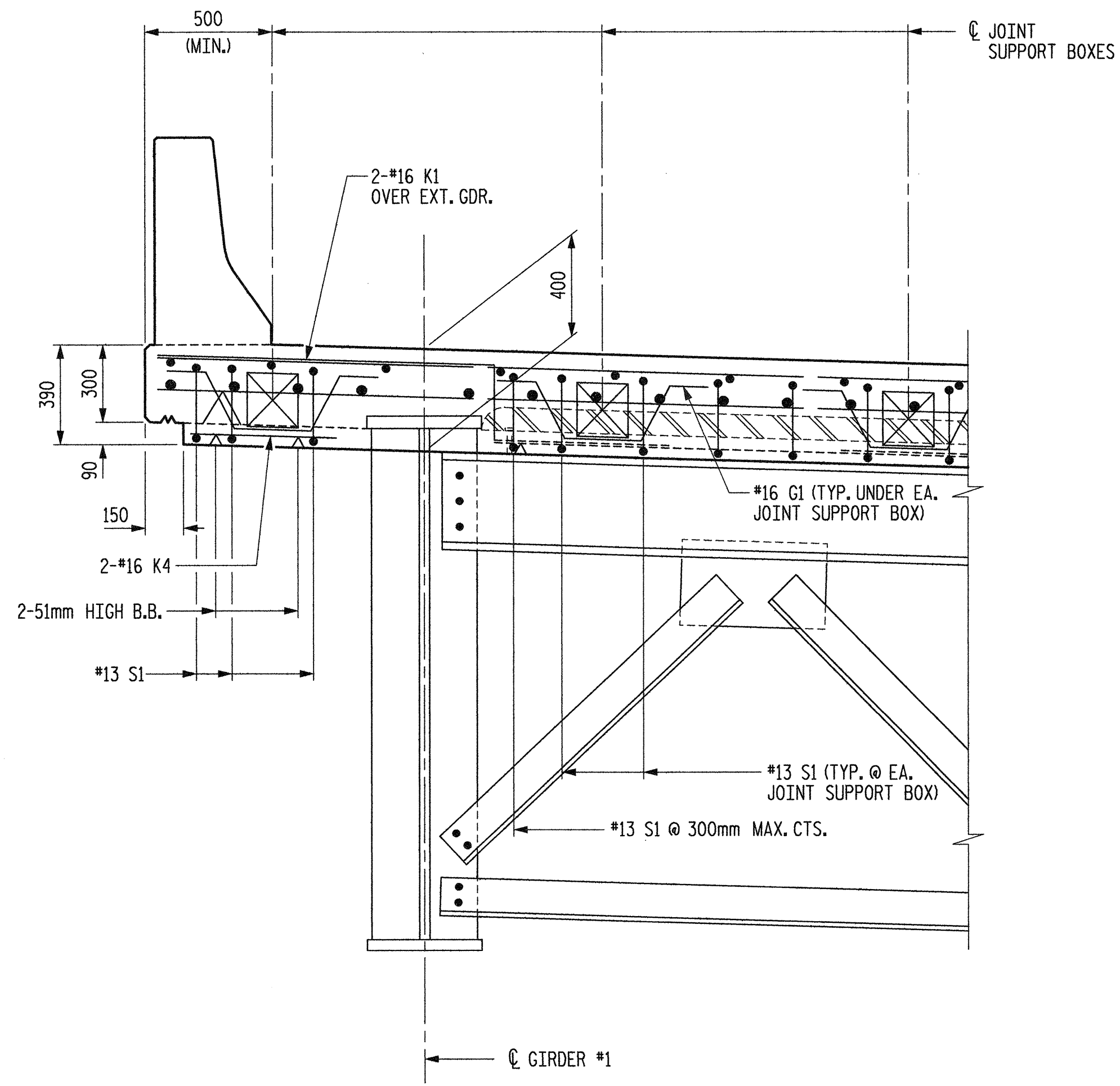
END OF GIRDER DETAIL AT END BENT #1
END BENT #2 SIMILAR BY ROTATION



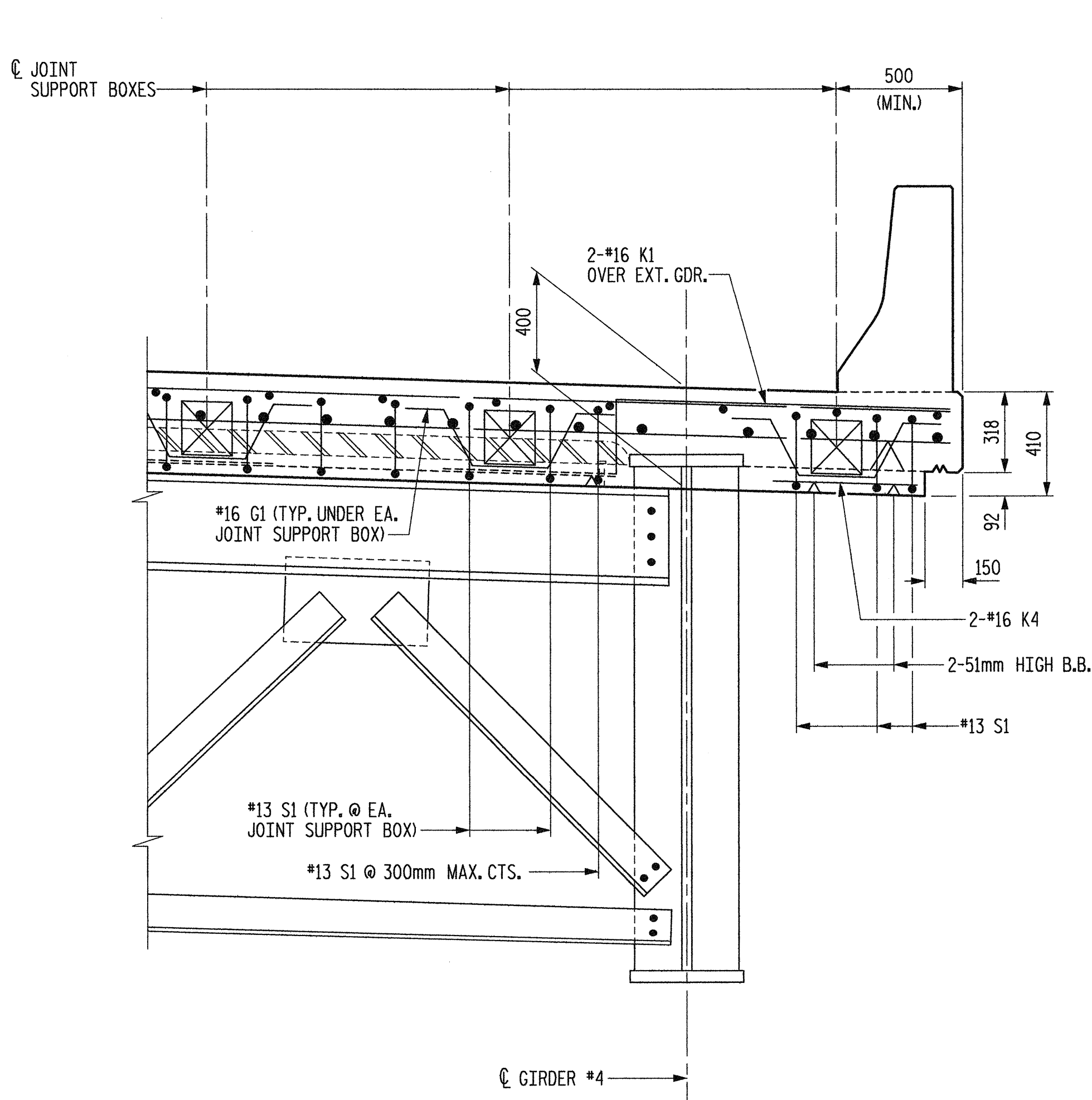
SECTION THRU BENT #1



SECTION THRU BENT #2 & BENT #3

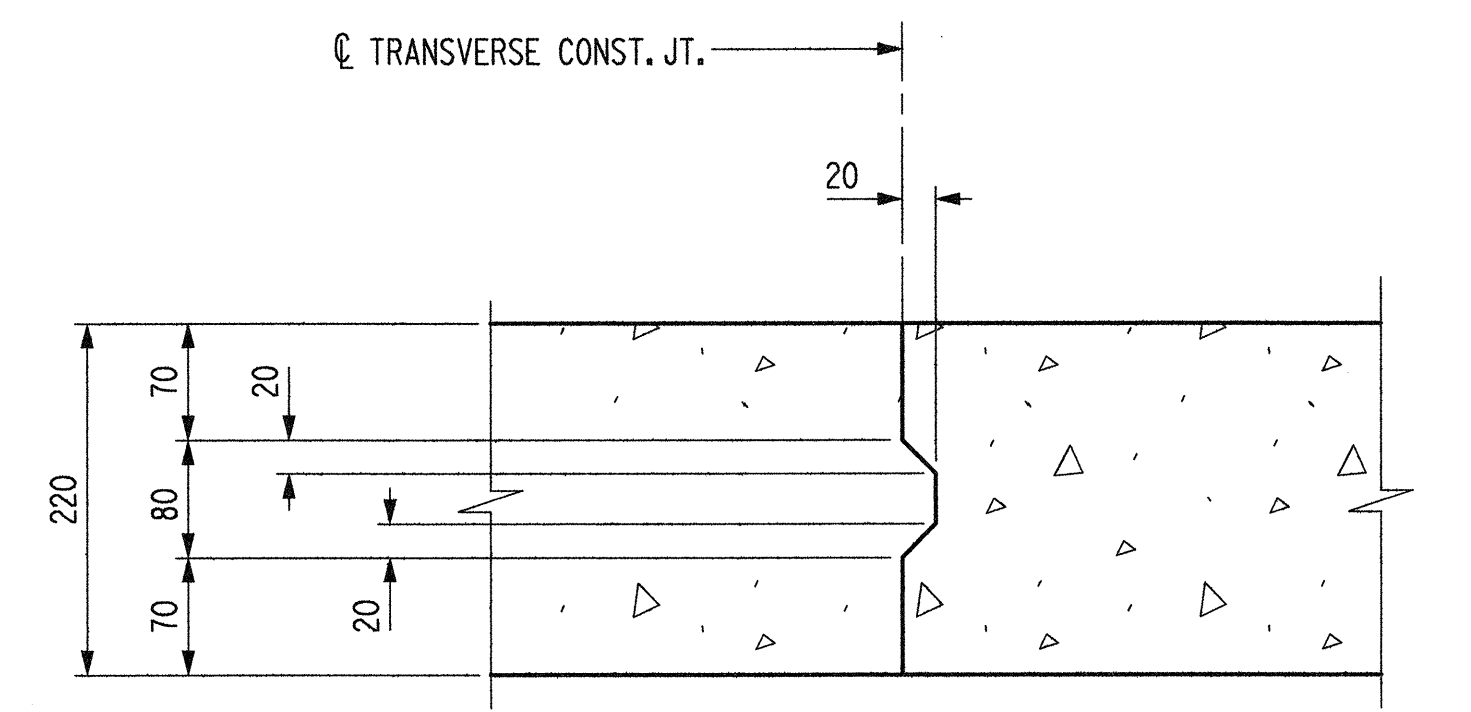


HIGH SIDE DROPWALL DETAIL



LOW SIDE DROPWALL DETAIL

DROPWALL DETAILS - END BENT CROSSFRAME
(AT MODULAR EXPANSION JOINT AT END BENTS #1 & #2)

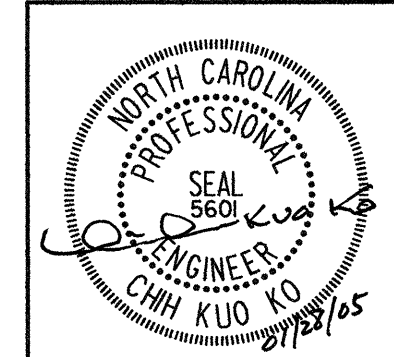
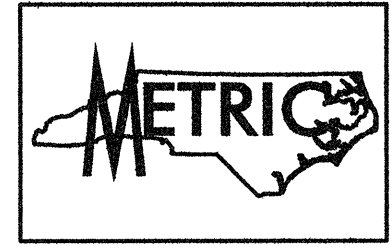


TRANSVERSE CONSTRUCTION JOINT IN DECK SLAB

NOTE:
REINFORCING STEEL IN SLAB NOT SHOWN.
LONGITUDINAL REINFORCING STEEL SHALL BE CONTINUOUS THROUGH JOINT.

PROJECT NO. R-2552AA
WAKE-JOHNSTON COUNTY
STATION: 27+51.601 -I1Y1-

SHEET 2 OF 2



STATE OF NORTH CAROLINA
DEPARTMENT OF TRANSPORTATION
RALEIGH

SUPERSTRUCTURE
TYPICAL SECTIONS AND DETAILS

Plans prepared by:
KO & ASSOCIATES, P.C.
Consulting Engineers
1011 SCHAUB DR., SUITE #202
RALEIGH, N.C. 27606
For Division of Highways

REVISIONS						SHEET NO.
NO.	BY:	DATE:	NO.	BY:	DATE:	TOTAL SHEETS
1			3			5-43
2			4			429

DWG. NO. 7

PLOT: 01/20/2005 08:49:21 AM Ko & Associates, P.C.
 FILE NAME: r1\2552aa.s2.t2.d2.dgn

DRAWN BY: B.E. LANNING DATE: JAN. 2005
CHECKED BY: J.C. KO / A.K. ORR DATE: JAN. 2005