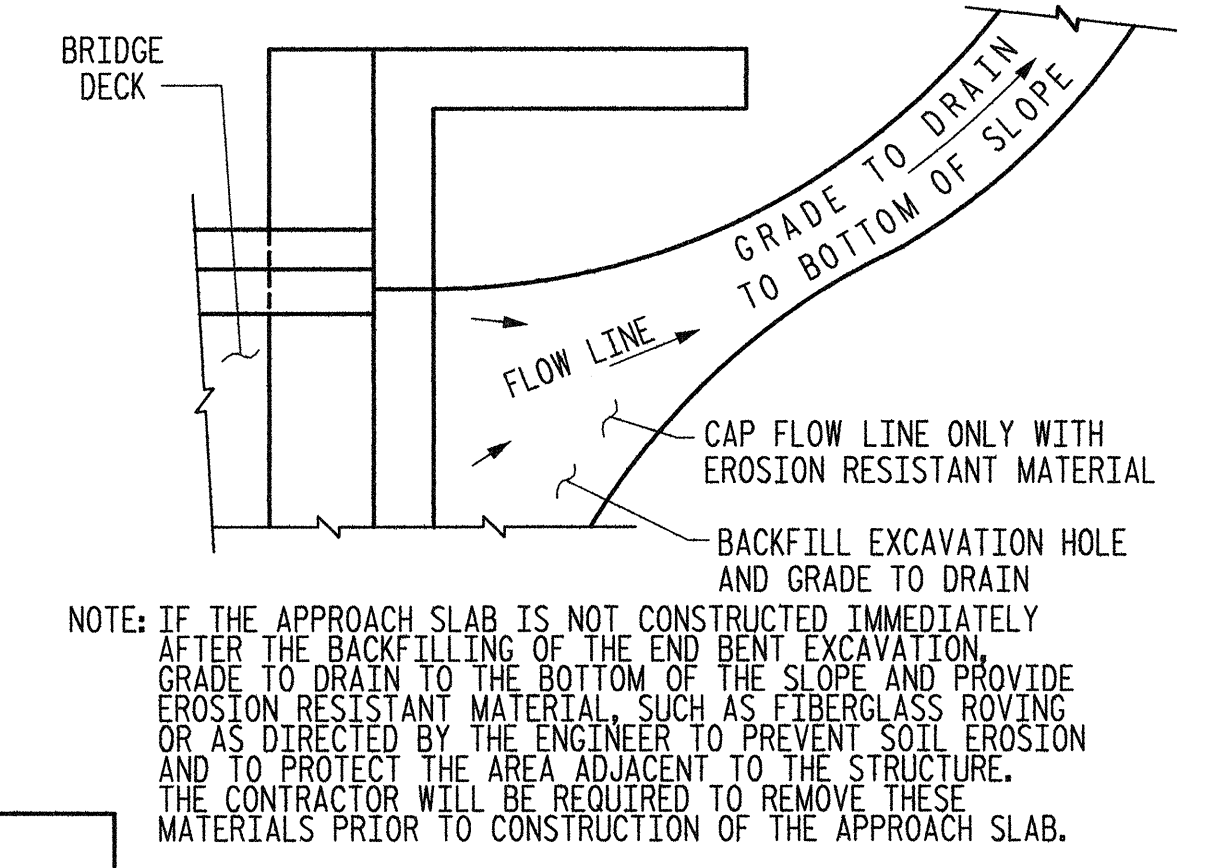
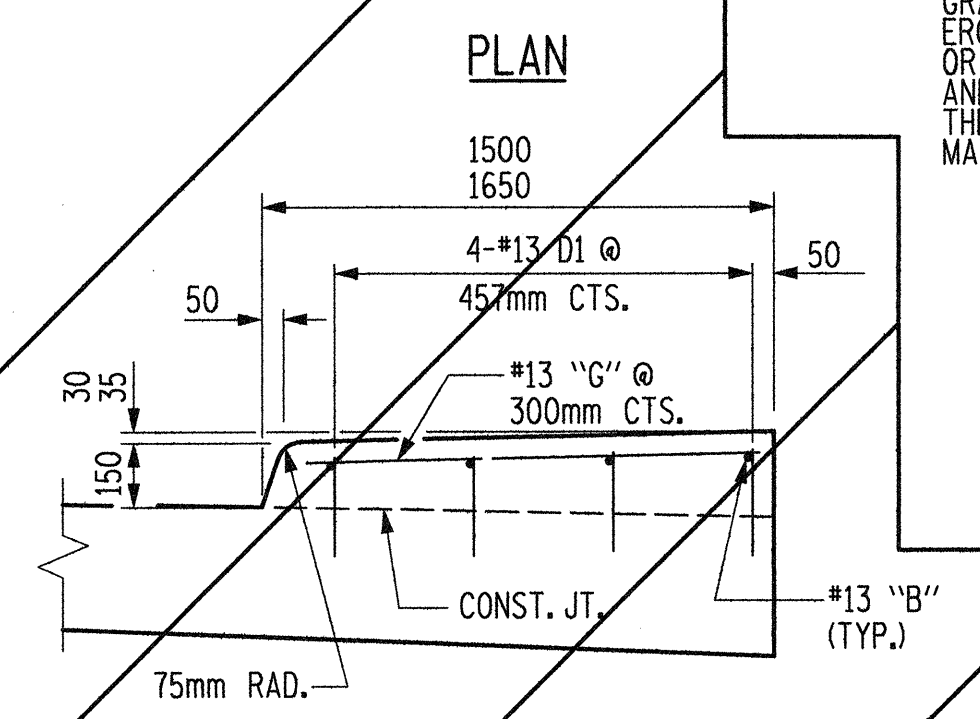
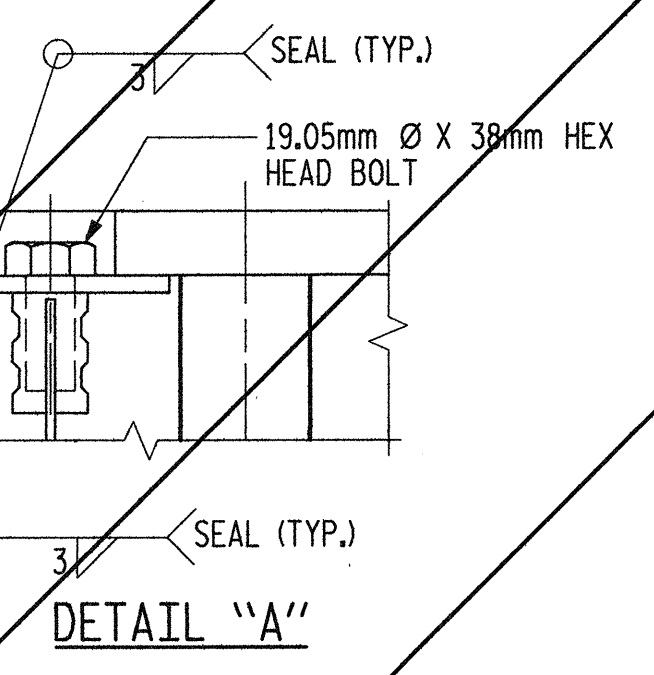
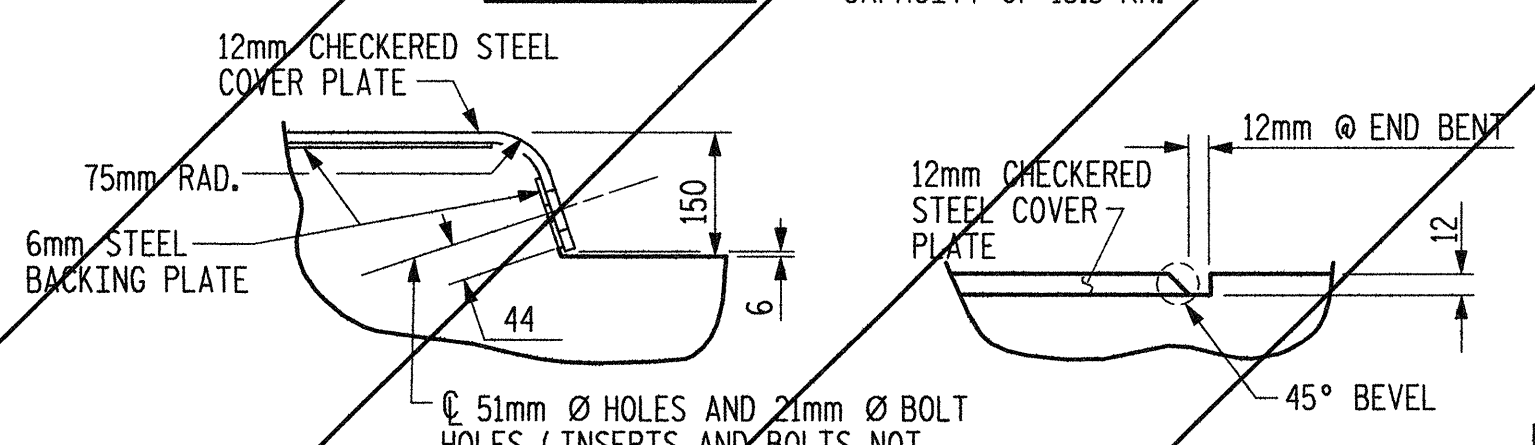
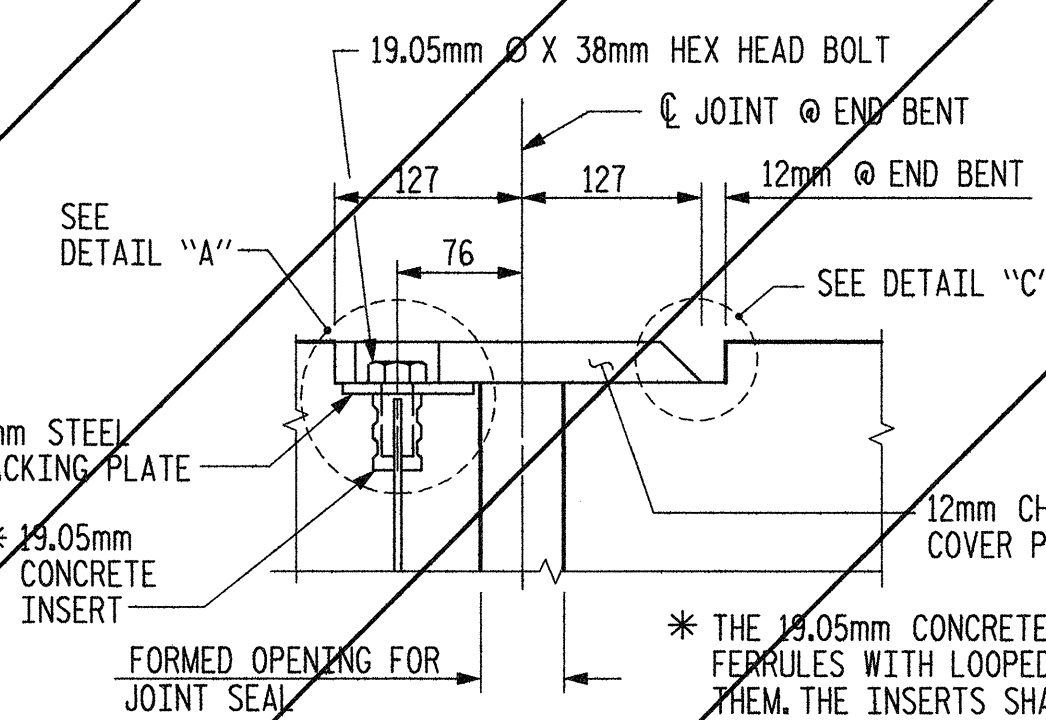
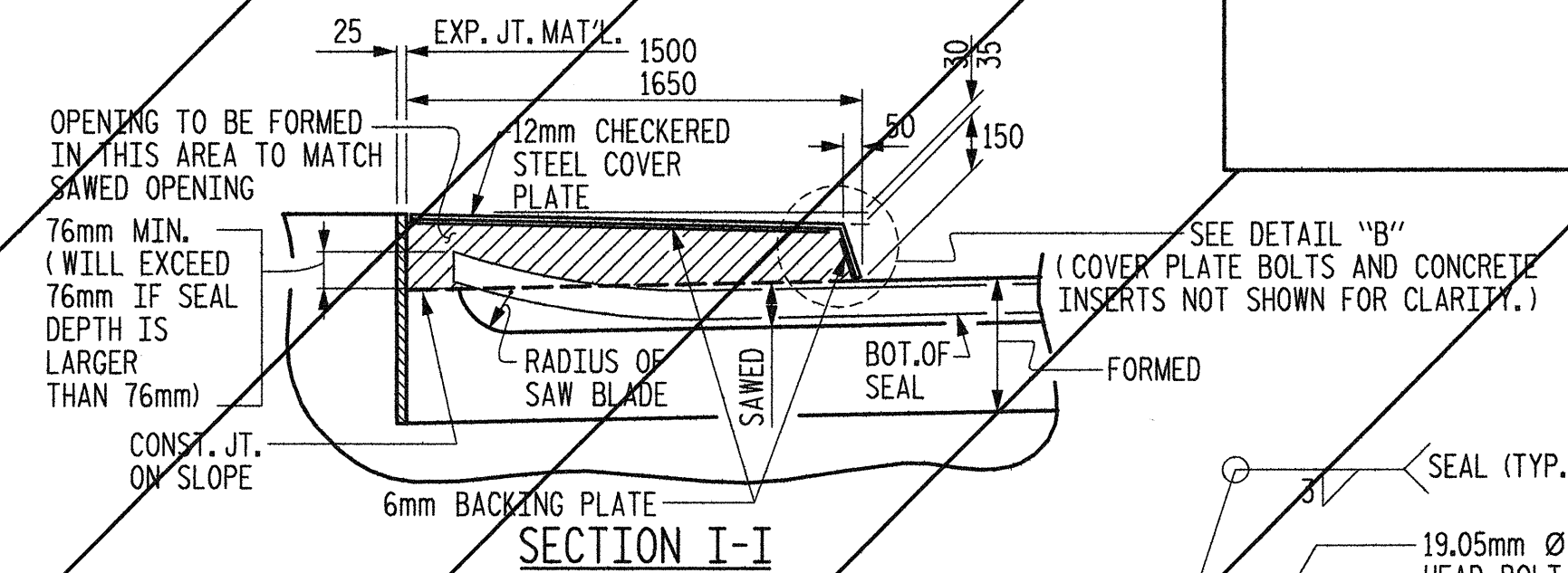
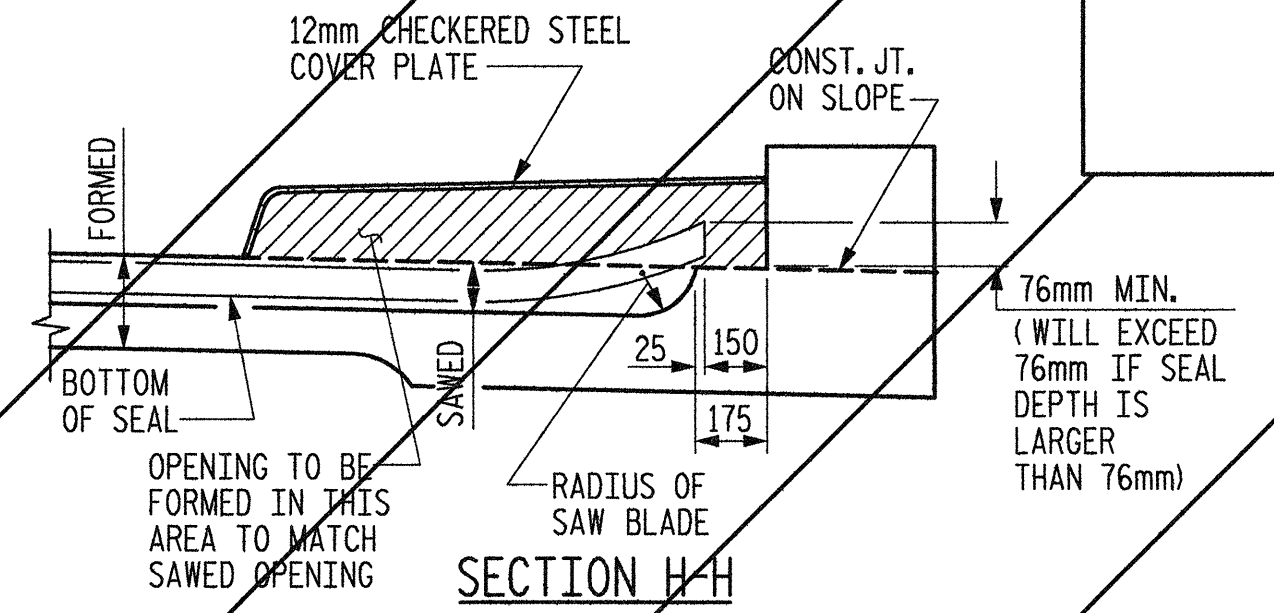
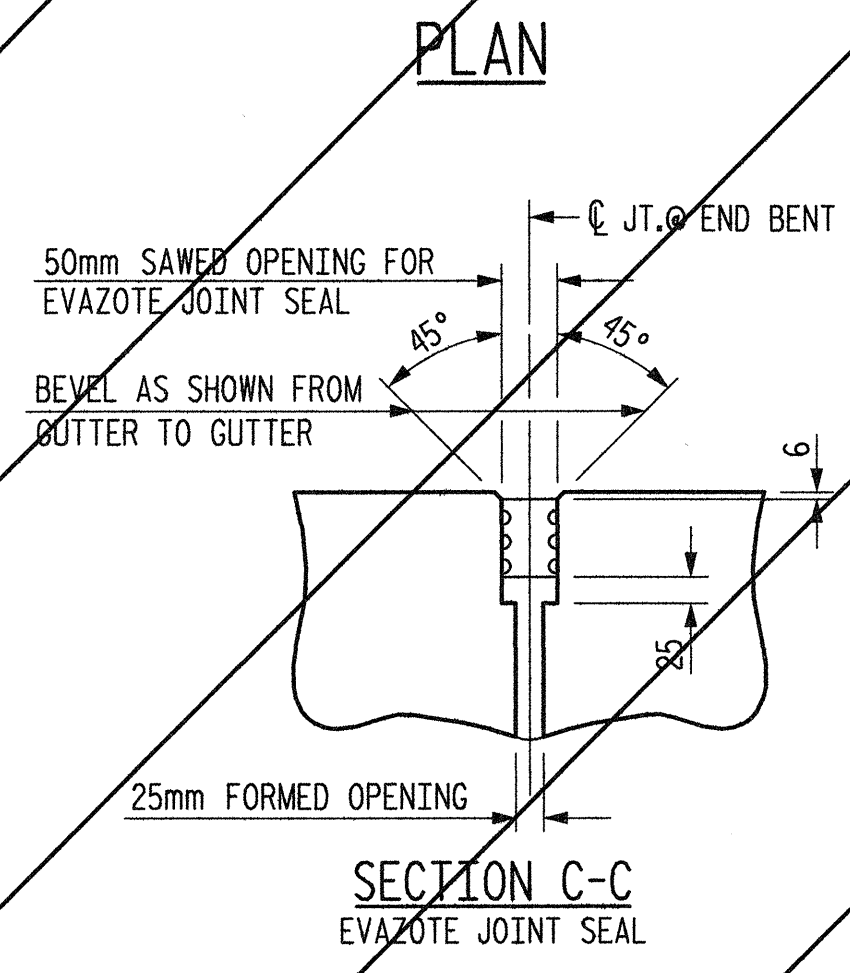


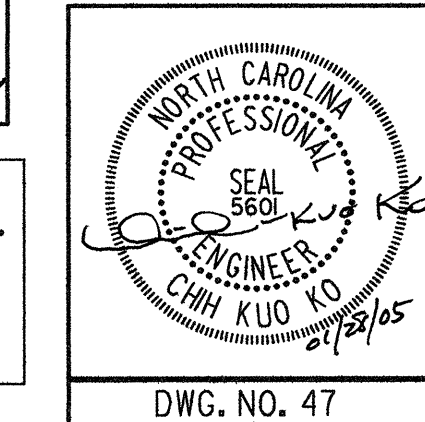
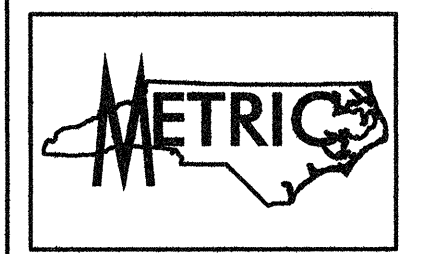
**TEMPORARY BERM AND SLOPE DRAIN DETAILS**



**TEMPORARY DRAINAGE DETAIL**

PROJECT NO. R-2552AA  
 WAKE-JOHNSTON COUNTY  
 STATION: 27+51.601 -I1Y1-

SHEET 4 OF 4



STATE OF NORTH CAROLINA  
 DEPARTMENT OF TRANSPORTATION  
 RALEIGH  
 STANDARD  
 BRIDGE APPROACH  
 SLAB DETAILS

REVISIONS						SHEET NO.
NO.	BY:	DATE:	NO.	BY:	DATE:	5-83
1			3			TOTAL SHEETS
2			4			429

Plans prepared by:  
**KO & ASSOCIATES, P.C.**  
 Consulting Engineers  
 101 SCHAUB DR., SUITE #202  
 RALEIGH, N.C. 27606  
 For Division of Highways

DWG. NO. 47

STD. NO. BAS10SM

PLOT: 01/28/2005 8:15:18 AM Ko & Associates, P.C.  
 FILE NAME: r-2552aa-sl.dwg

ASSEMBLED BY: B.E. LANNING DATE: JAN. 2005  
 CHECKED BY: J.C. KO / A.K. ORR DATE: JAN. 2005  
 DRAWN BY: FCJ 11/88 REV. 8/16/99 RAL/LES  
 CHECKED BY: ARB 11/88 REV. 10/17/00 RWW/LES  
 REV. 5/7/03 RWW/JTE