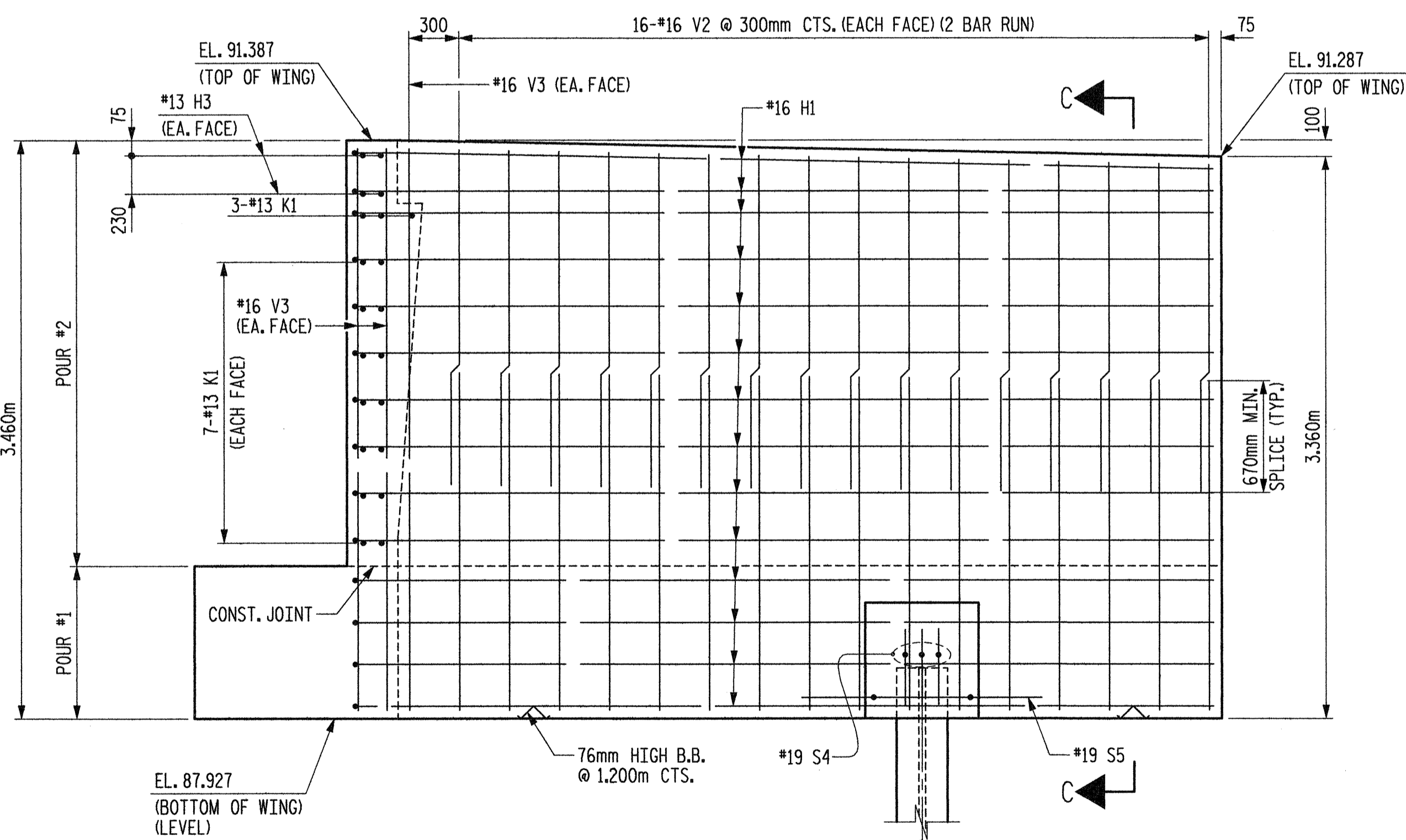
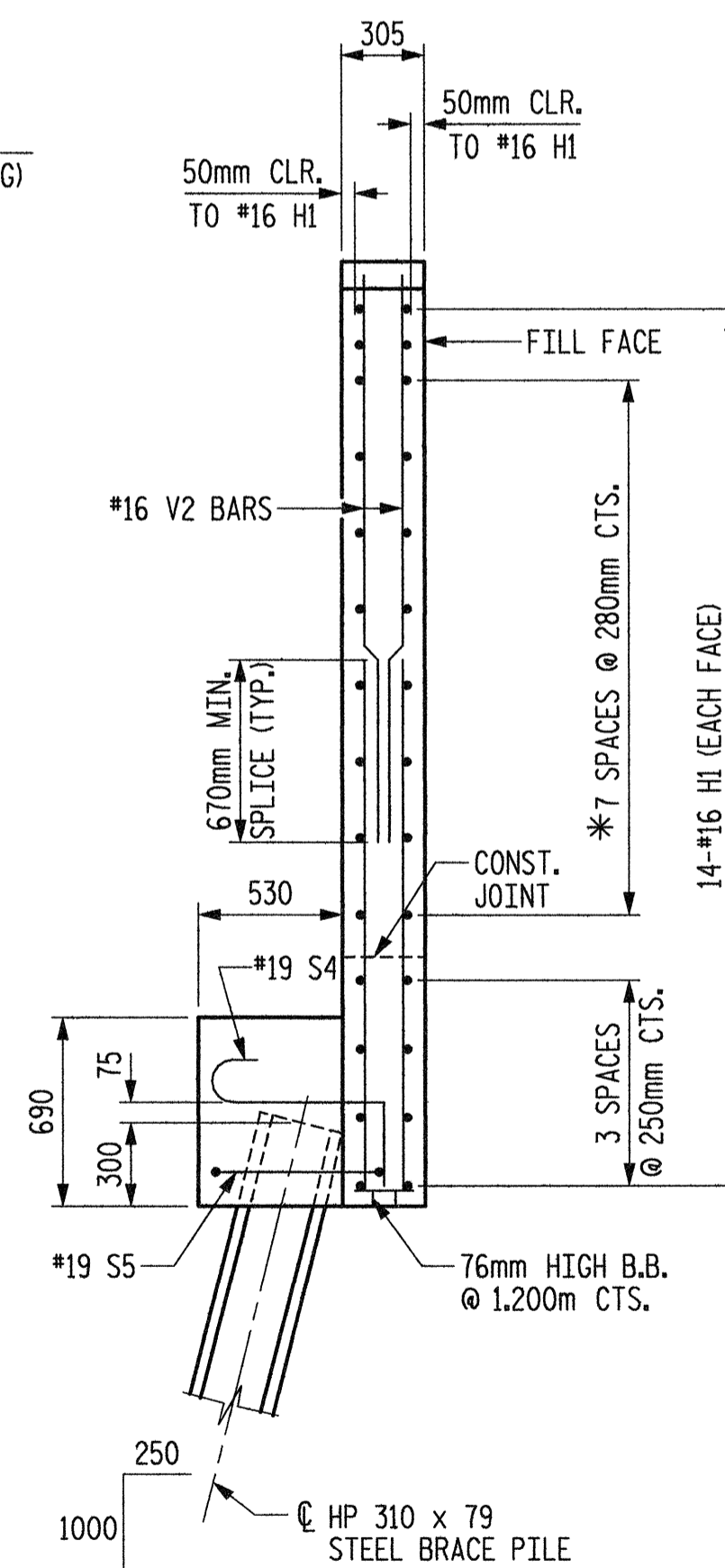


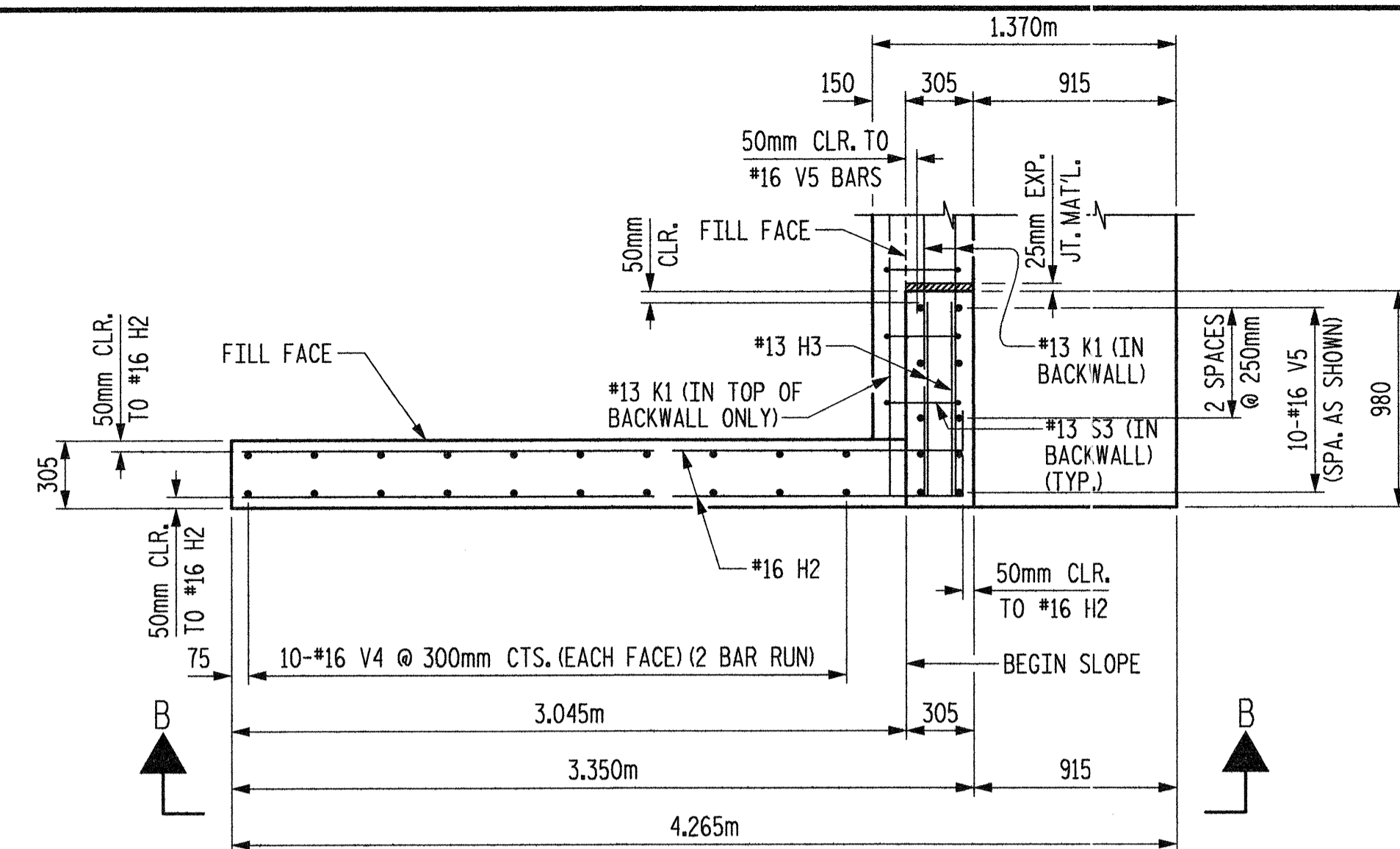
PLAN OF LEFT WING - W1



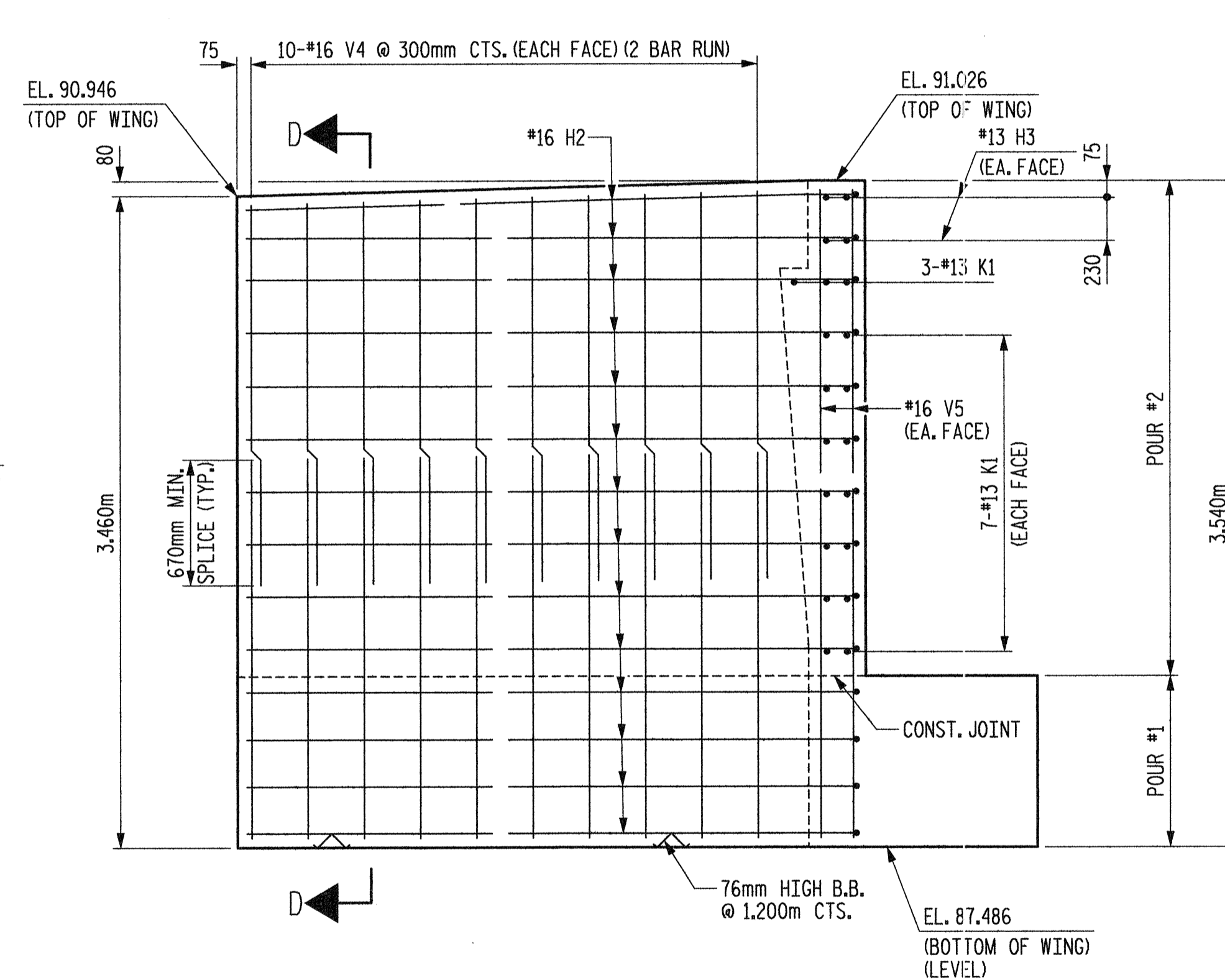
VIEW A-A



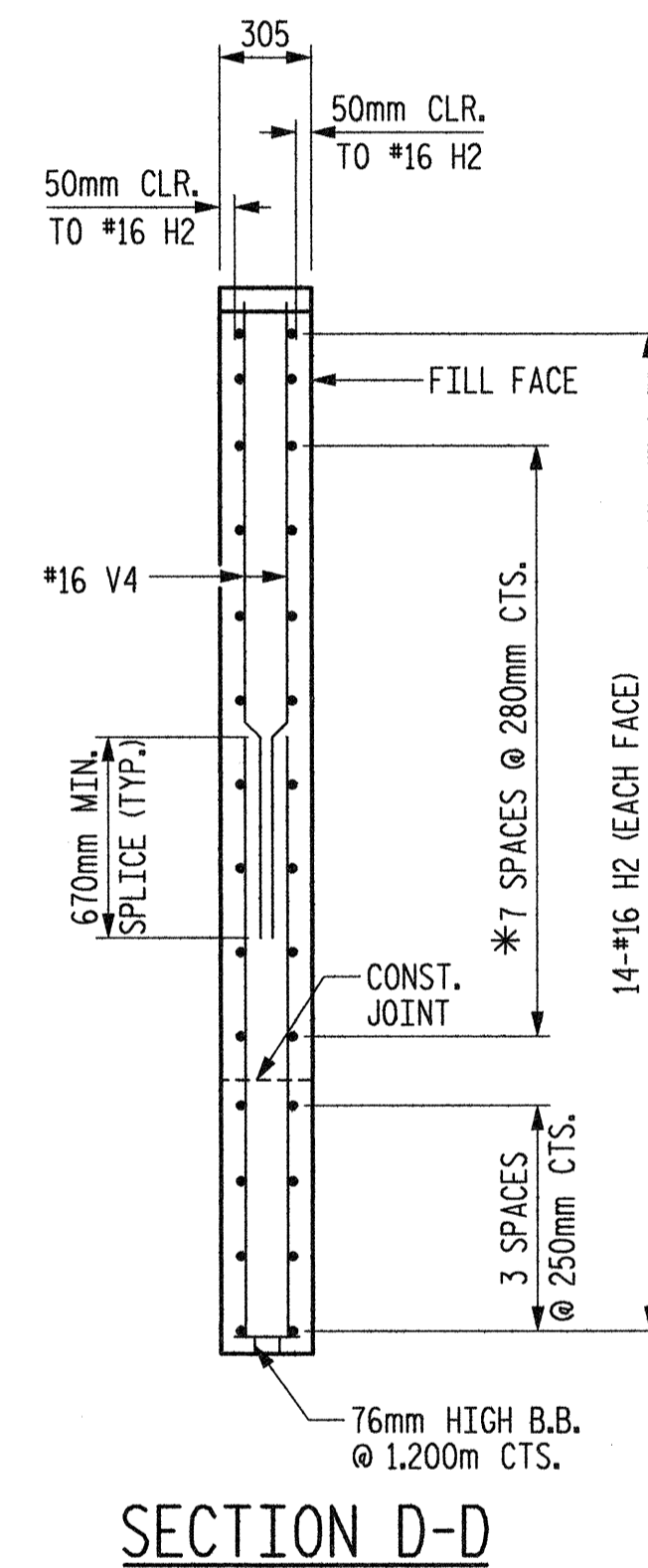
SECTION C-C



PLAN OF RIGHT WING - W2



VIEW B-B

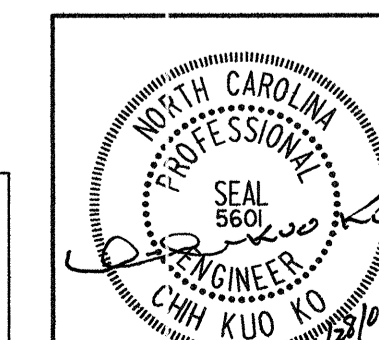
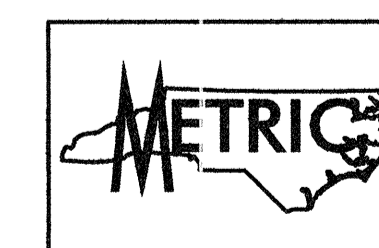


SECTION D-D

\* NOTE: MATCH "H" BARS IN THE WING TO THE #13 K1 BARS IN THE BACKWALL. "K" BARS SHOULD EXTEND FROM WING TO WING.

PROJECT NO. R-252AA  
 WAKE-JOHNSTON COUNTY  
 STATION: 28+31.359 -11Y1-

SHEET 2 OF 3



STATE OF NORTH CAROLINA  
 DEPARTMENT OF TRANSPORTATION  
 RALEIGH

SUBSTRUCTURE  
 END BENT #1

Plans prepared by:  
**KO & ASSOCIATES, P.C.**  
 Consulting Engineers  
 101 SCHUB DR. SUITE #202  
 RALEIGH, N.C. 27606  
 For Division of Highways

REVISIONS						SHEET NO.
NO.	BY:	DATE:	NO.	BY:	DATE:	TOTAL SHEETS
1			3			5-118
2			4			429

DWG. NO. 35

PLOT: 01/27/2005  
 FILE NAME: r:\V2522aa.dwg  
 DRAWN BY: B.E. LANNING  
 CHECKED BY: J.C. KO / A.K. ORR  
 DATE: JAN. 2005  
 DATE: JAN. 2005