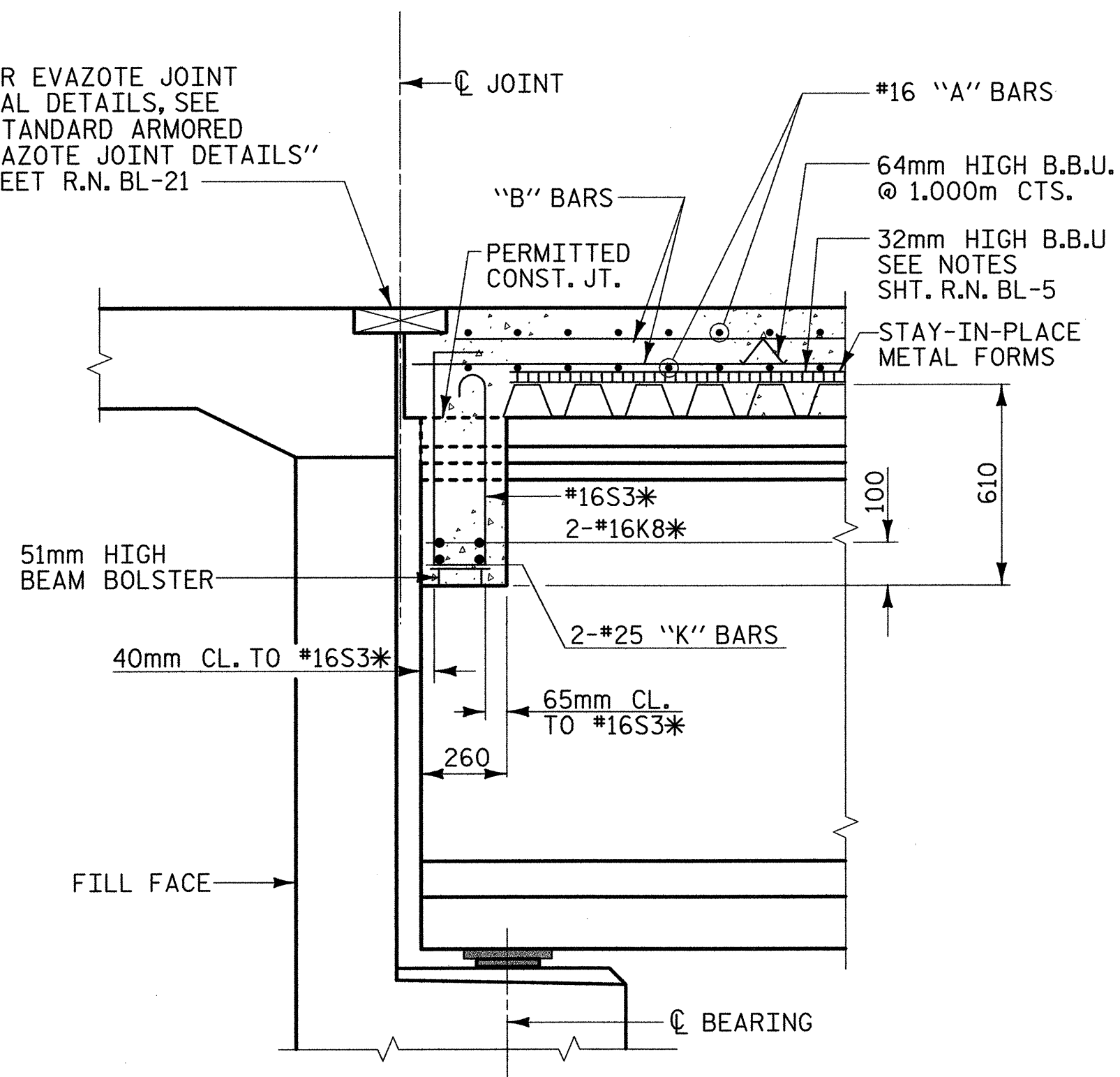
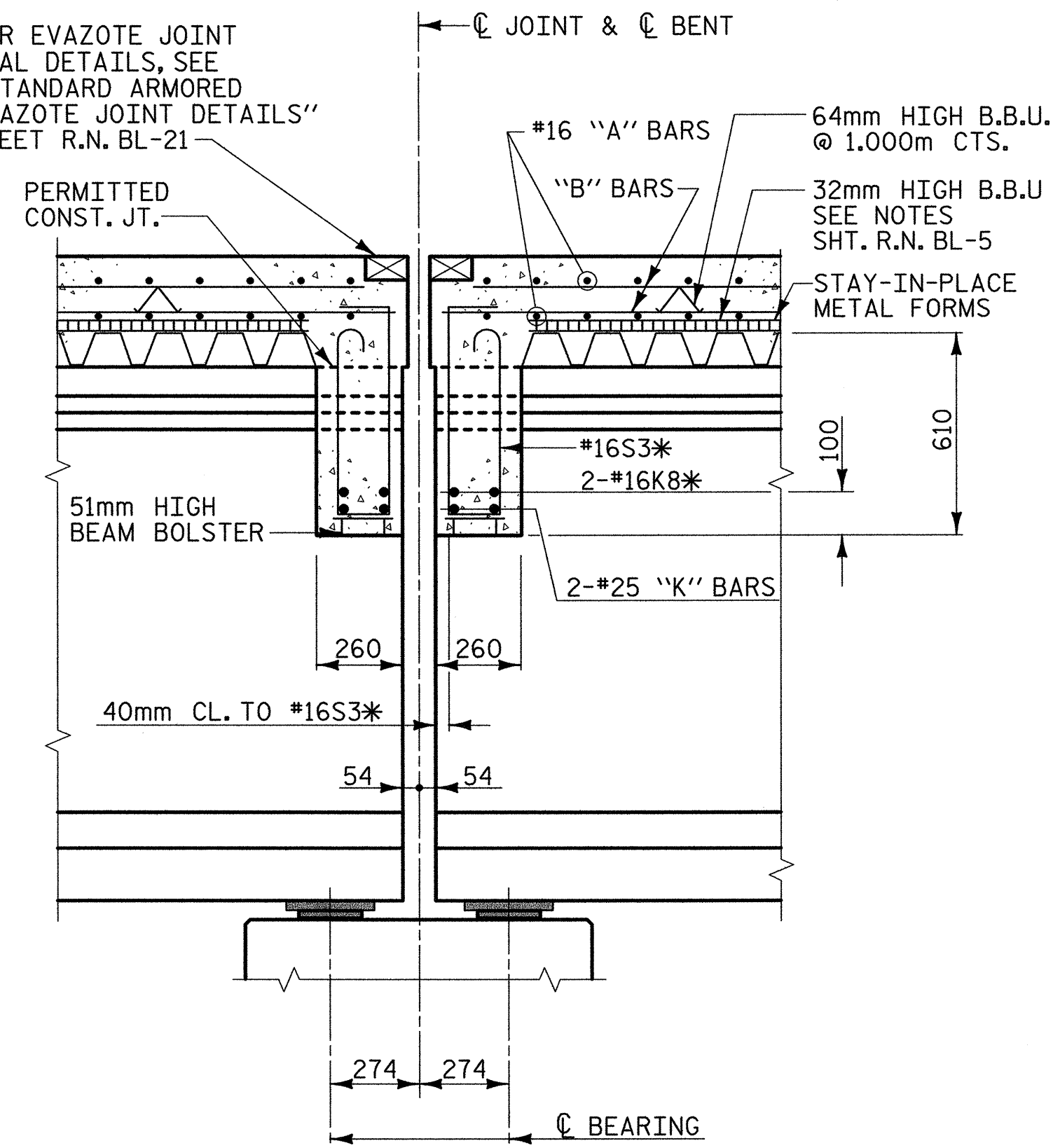


FOR EVAZOTE JOINT SEAL DETAILS, SEE "STANDARD ARMORED EVAZOTE JOINT DETAILS" SHEET R.N. BL-21

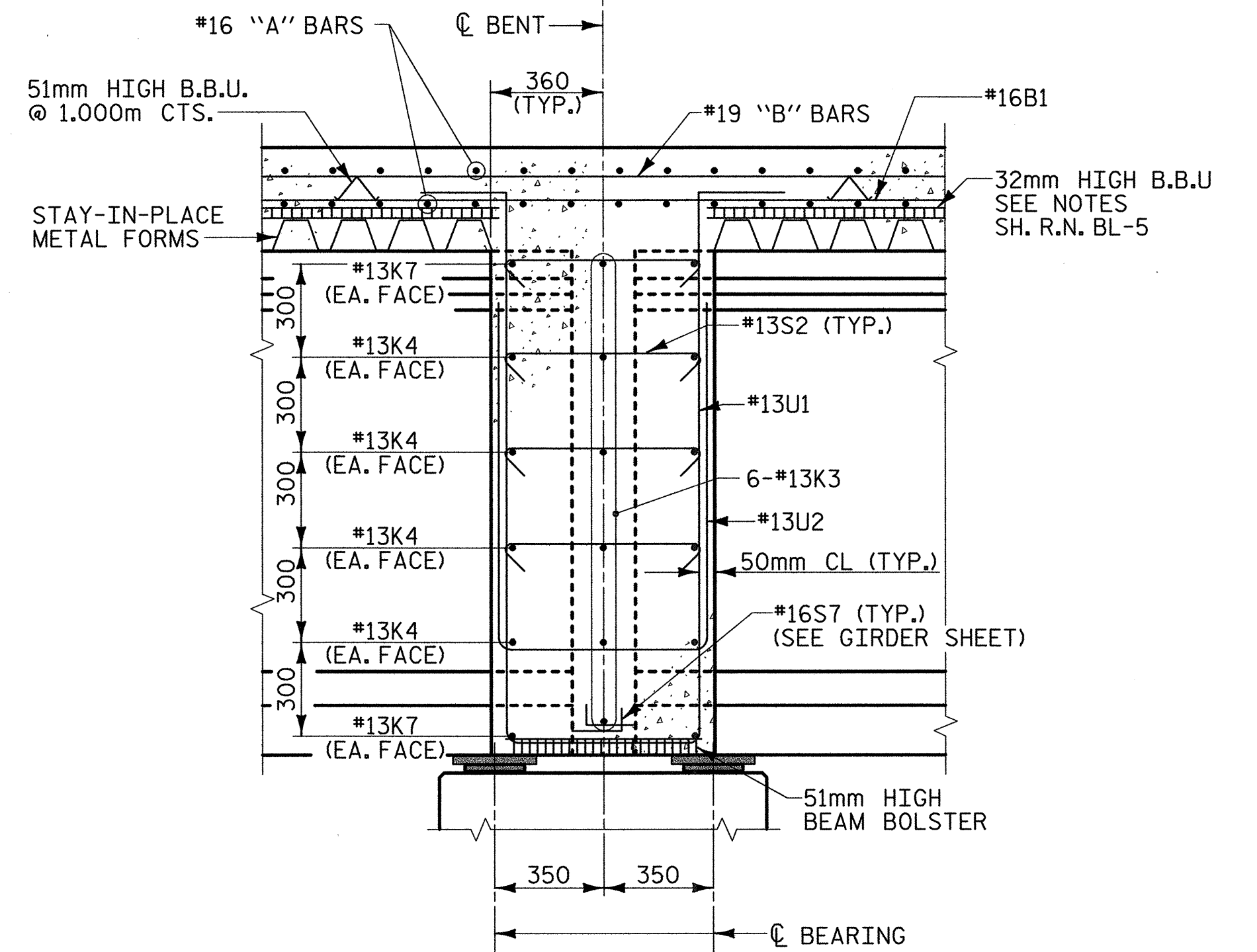


SECTION A-A

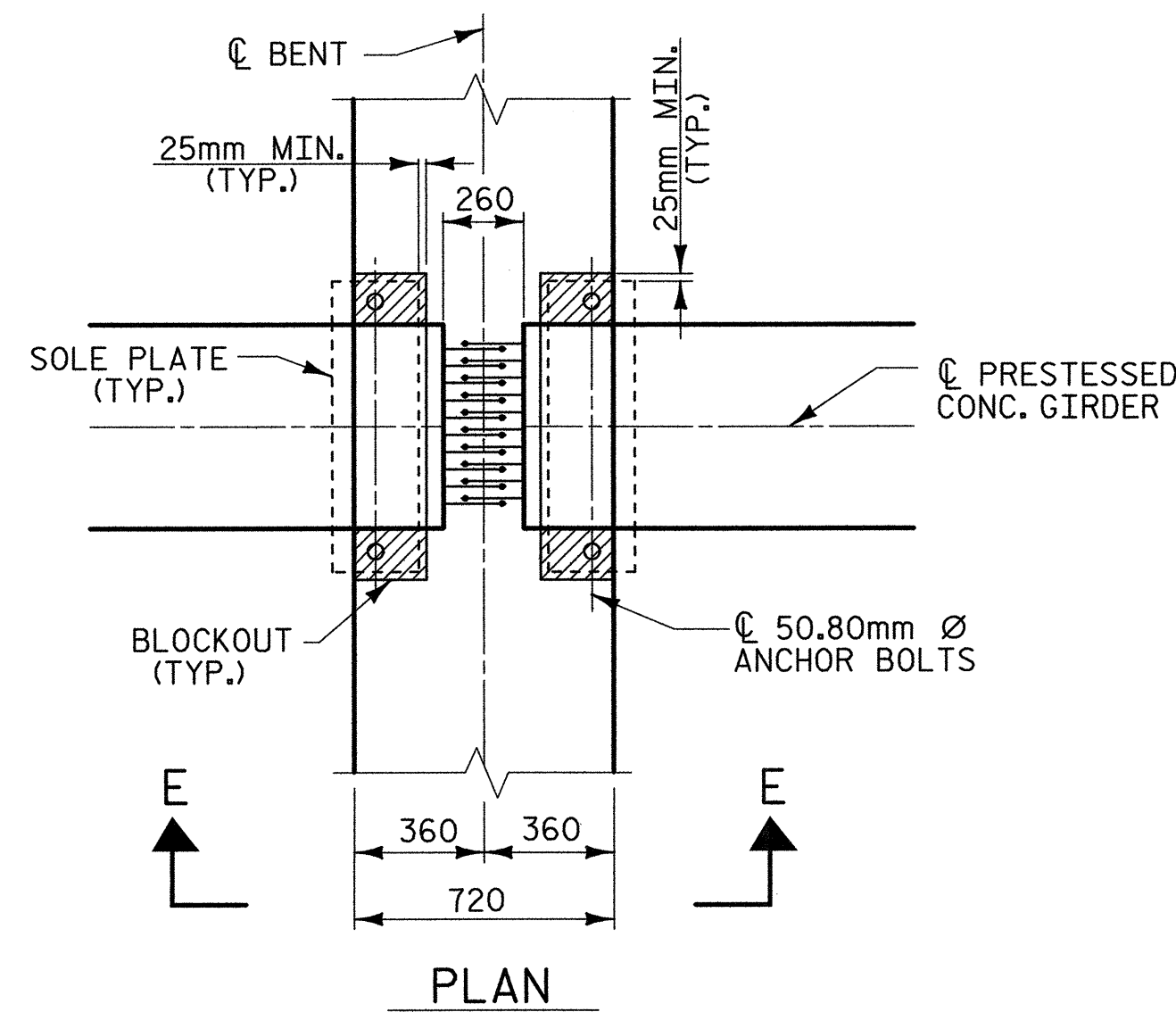
FOR EVAZOTE JOINT SEAL DETAILS, SEE "STANDARD ARMORED EVAZOTE JOINT DETAILS" SHEET R.N. BL-21



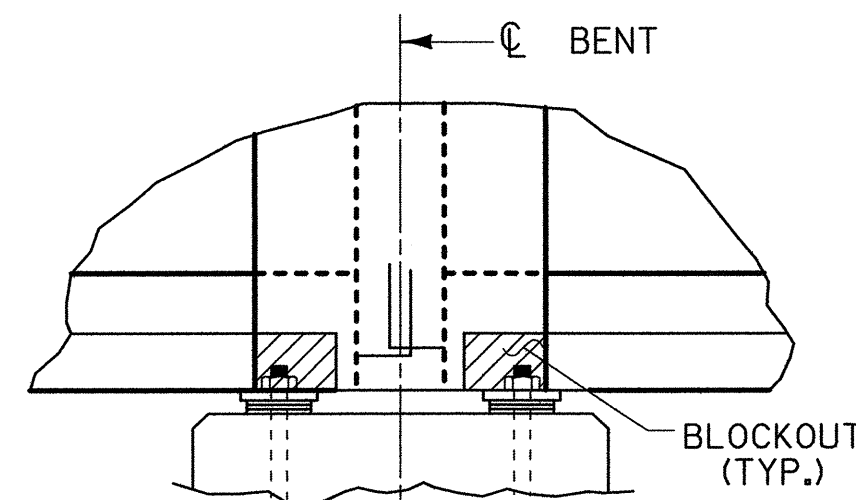
SECTION B-B



SECTION C-C

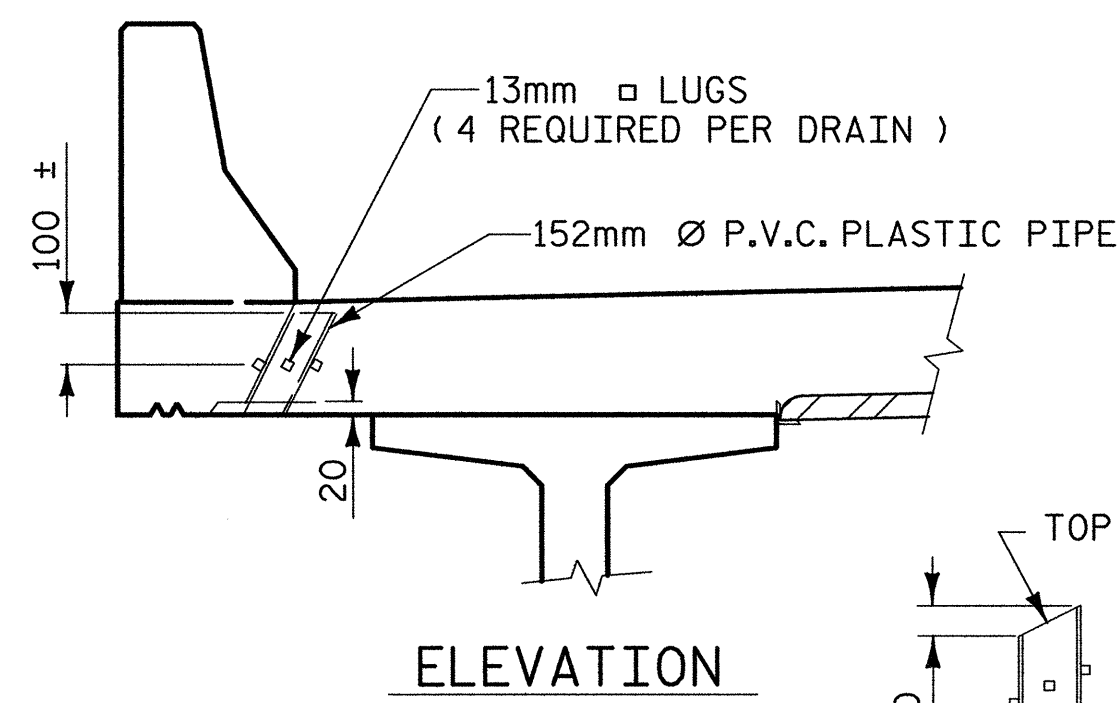


PLAN

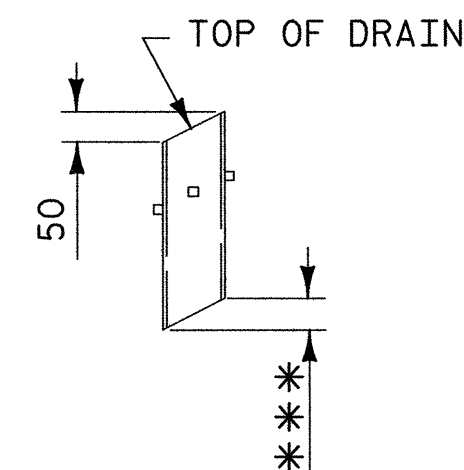


VIEW E-E

BENT DIAPHRAGM BLOCKOUT DETAIL

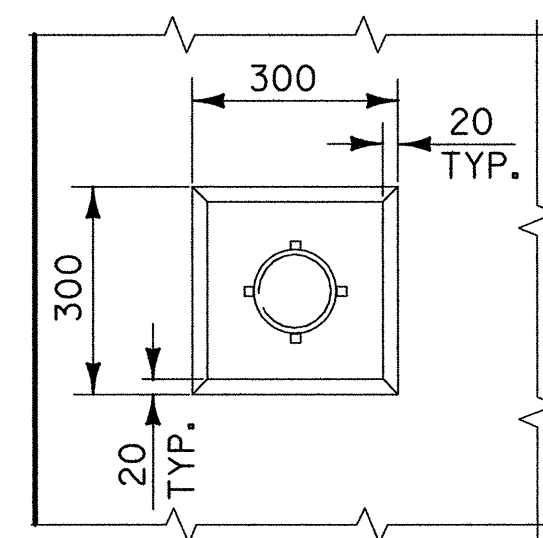


ELEVATION



*** TO BE SET TO MATCH SLOPE OF BOTTOM OF OVERHANG (37 DRAINS REQUIRED)

PIPE DETAIL



PLAN OF RECESS

TOP OF FLOOR DRAINS TO BE SET 10mm BELOW SURFACE OF SLAB.

4 - 13mm square LUGS TO BE GLUED TO THE P.V.C. PLASTIC PIPE AT EQUAL SPACES AROUND THE PIPE DRAIN.

THE 152mm diameter PVC PIPE SHALL BE SCHEDULE 40 AND CONFORM TO ASTM D1785.

DRAIN DETAILS

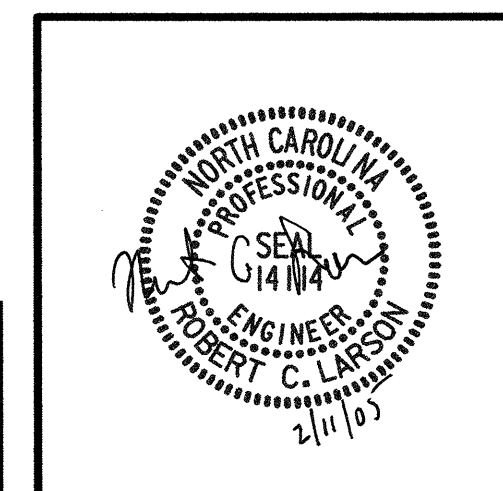
* EPOXY COATED REINFORCING STEEL



PROJECT NO. R-252AA
WAKE - JOHNSTON COUNTY
STATION: 14+38.000 -LREV- POT

STATE OF NORTH CAROLINA
DEPARTMENT OF TRANSPORTATION
RALEIGH

SUPERSTRUCTURE
TYPICAL SECTION
DETAILS
(LEFT LANE)



REVISIONS						SHEET NO. 5-146
NO.	BY:	DATE:	NO.	BY:	DATE:	
1			3			TOTAL SHEETS 429
2			4			

REFERENCE NO. BL-7

02/04/2005 06:34:31 AM G:\p\0\bet\2004\23-00R-252AA\Structures\Site 4\Left Lane\R252AA_SD.TS-03.dgn

DRAWN BY: J. P. SHERMAN DATE: 6/04
CHECKED BY: R. C. LARSON DATE: 7/04