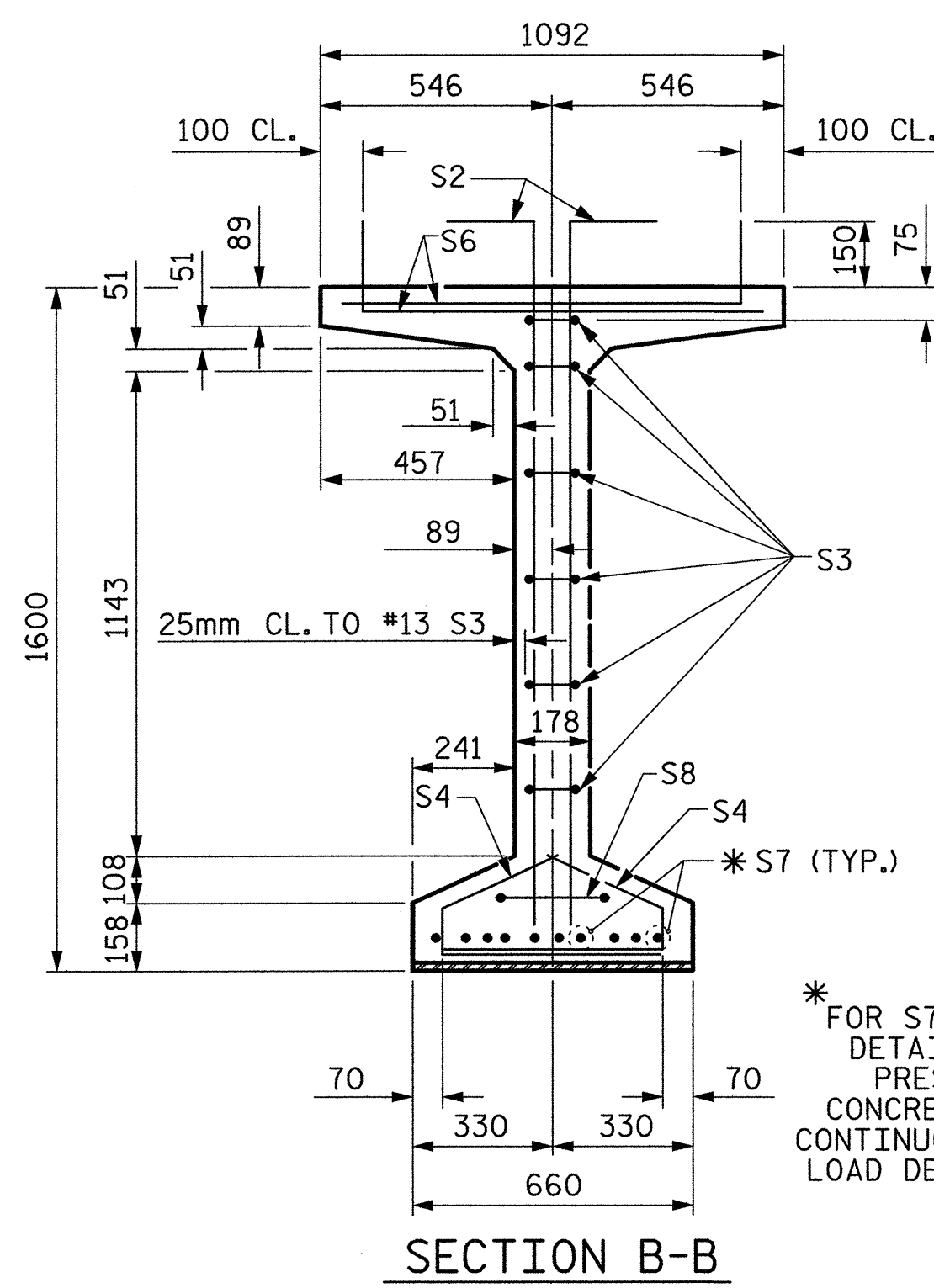
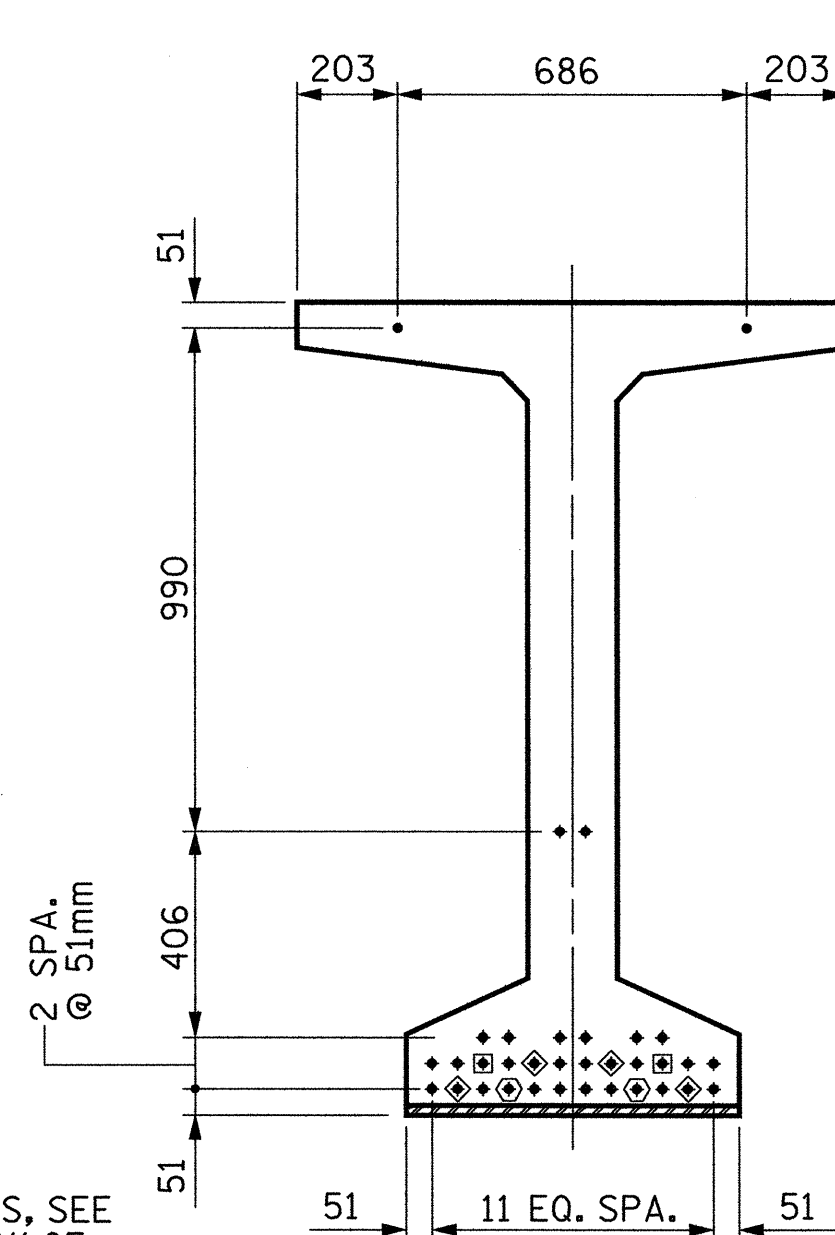


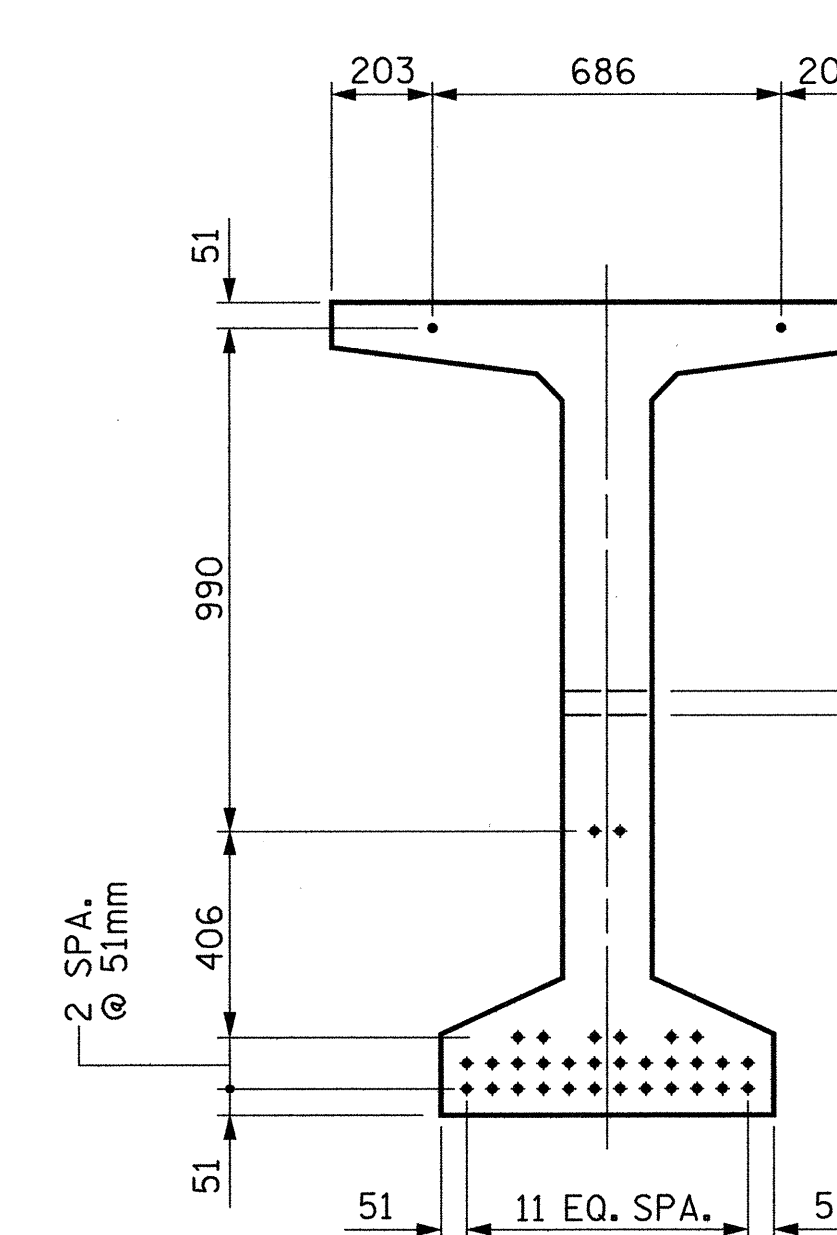
SECTION A-A



SECTION B-B

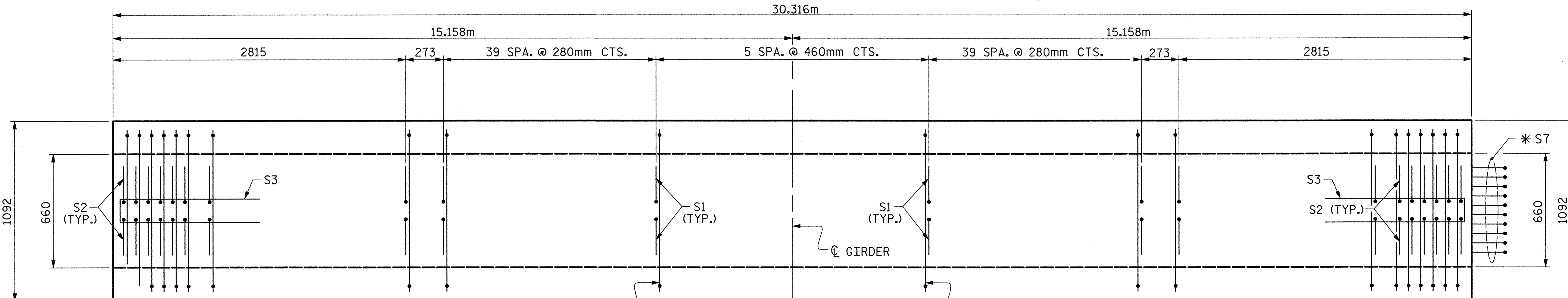


AT END OF GIRDERS  
15.24mm Ø LOW RELAXATION STRAND LAYOUT

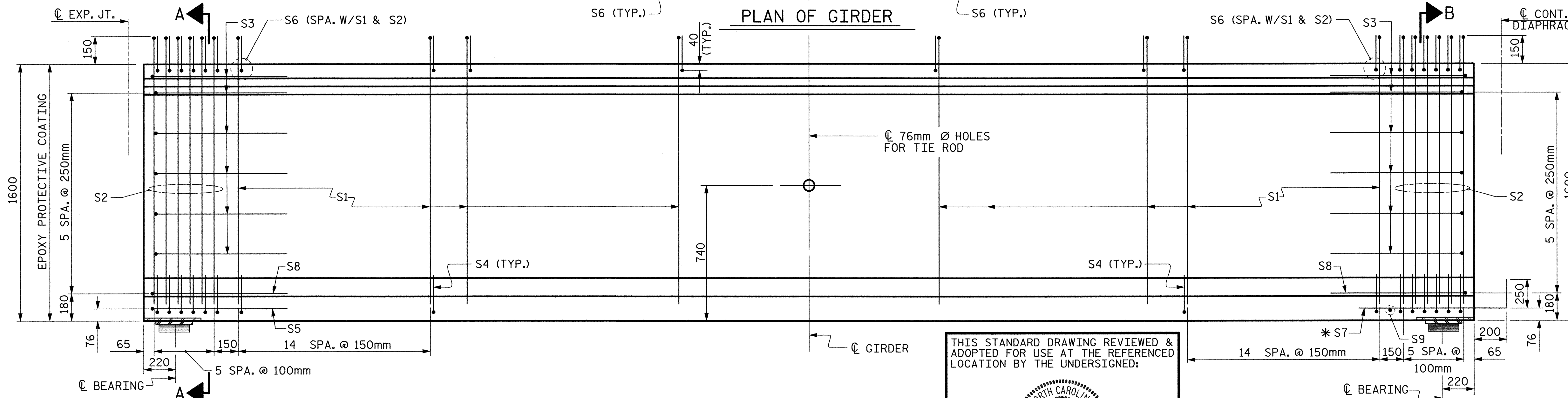


- DEBONDING LEGEND
- FULLY BONDED STRANDS
  - ◻ STRANDS DEBONDED FOR 1.220m FROM END OF GIRDER
  - ◊ STRANDS DEBONDED FOR 3.050m FROM END OF GIRDER
  - ◉ STRANDS DEBONDED FOR 9.150m FROM END OF GIRDER
- 76mm Ø CORED OR FORMED HOLE  
SEE ELEVATION FOR LOCATION

\* FOR S7 BARS, SEE  
DETAIL 'C' OF  
PRESTRESSED  
CONCRETE GIRDER  
CONTINUOUS FOR LIVE  
LOAD DETAILS SHEET



PLAN OF GIRDER



ELEVATION OF GIRDER

15.24mm Ø L. R. GRADE 270 STRANDS

AREA (mm <sup>2</sup> )	ULTIMATE STRENGTH (KN PER STRAND)	APPLIED PRESTRESS (KN PER STRAND)
140.00	260.4	195.3

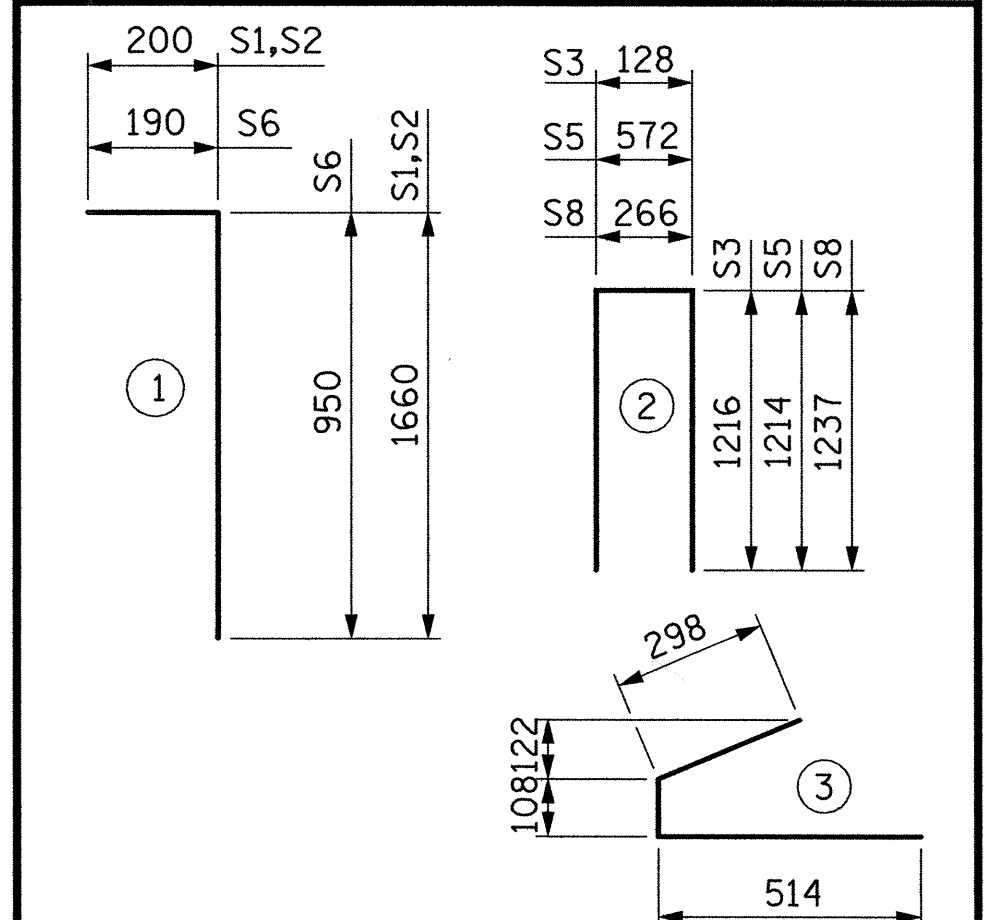
REINFORCING STEEL FOR ONE GIRDER

BAR	NUMBER	SIZE	TYPE	LENGTH	WEIGHT
S1	228	#13	1	1860	422
S2	24	#16	1	1860	69
S3	12	#13	2	2560	31
S4	84	#13	3	920	77
S5	1	#16	2	3000	5
S6	252	#16	1	1140	446
*S7	10	#16	STR	1120	17
S8	2	#16	2	2740	9
S9	1	#10	STR	560	1

\* NOTE: S7 BARS SHALL BE BENT BEFORE SHIPMENT. HEAT BENDING SHALL NOT BE ALLOWED.

BAR TYPES

ALL BAR DIMENSIONS ARE OUT-TO-OUT



QUANTITIES FOR ONE GIRDER

SPAN	REINFORCING STEEL	50.0 MPa CONCRETE	15.24mm Ø L.R. STRANDS
	kg	m <sup>3</sup>	No.
A,C,D&F	1077	15.1	34

GIRDERS REQUIRED

SPAN	NUMBER	LENGTH	TOTAL LENGTH
A,C,D&F	16	30.316m	485.056m

PROJECT NO. R-2552AA

WAKE - JOHNSTON COUNTY

STATION: 14+38.000 -LREV- POT

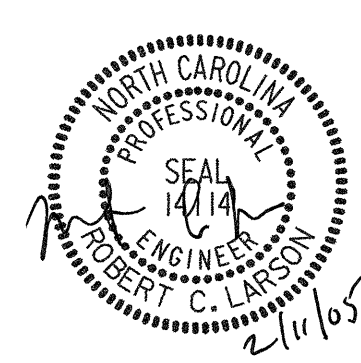
SHEET 2 OF 5

STATE OF NORTH CAROLINA  
DEPARTMENT OF TRANSPORTATION  
RALEIGH  
OPTIONAL  
1600mm PRESTRESSED CONCRETE  
MODIFIED BULB TEE  
CONTINUOUS FOR LIVE LOAD  
(WITH 15.24mm Ø PARTIALLY  
DEBONDED STRANDS)  
SPANS A,C,D&F (LEFT LANE)

REVISIONS				SHEET NO.
NO.	BY:	DATE:	NO.	DATE:
1			3	
2			4	

TOTAL SHEETS: 429

THIS STANDARD DRAWING REVIEWED & ADOPTED FOR USE AT THE REFERENCED LOCATION BY THE UNDERSIGNED:



REFERENCE NO. BL-14

02/04/2005 06:40:59 AM G:\VPROJ\2004\23.DIR\2552A\Structures\Sfrs 4\Left\_Lane\R2552AA\_SD\_GL\_02.dgn

ASSEMBLED BY : J. P. SHERMAN	DATE : 6/04
CHECKED BY : R. C. LARSON	DATE : 8/04
DRAWN BY : EEM 2/6/97	REV. 7/17/98 RWW/LES
CHECKED BY : VAP 2/6/97	REV. 8/16/99 RWW/LES
	REV. 10/17/00 RWW/LES