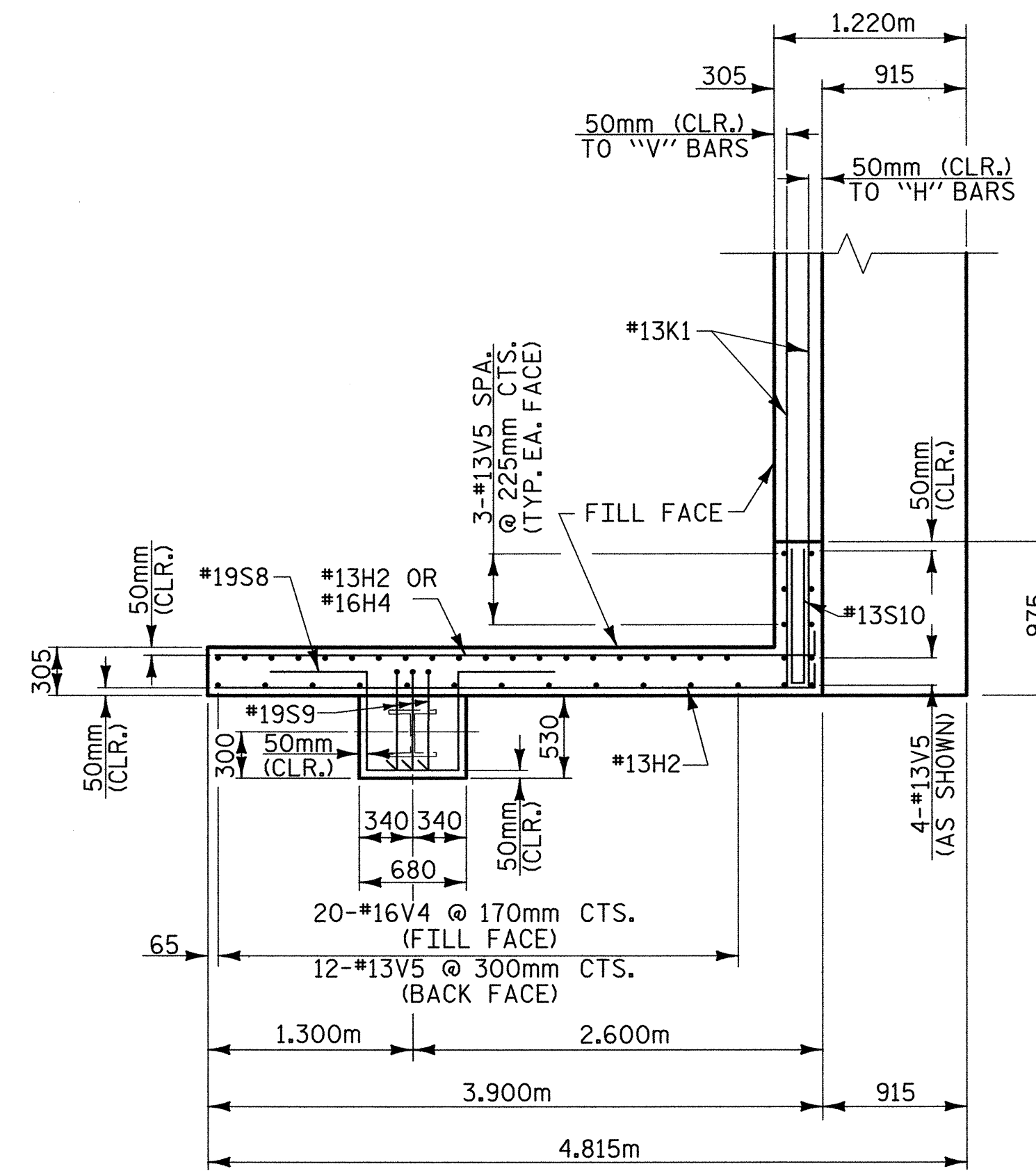
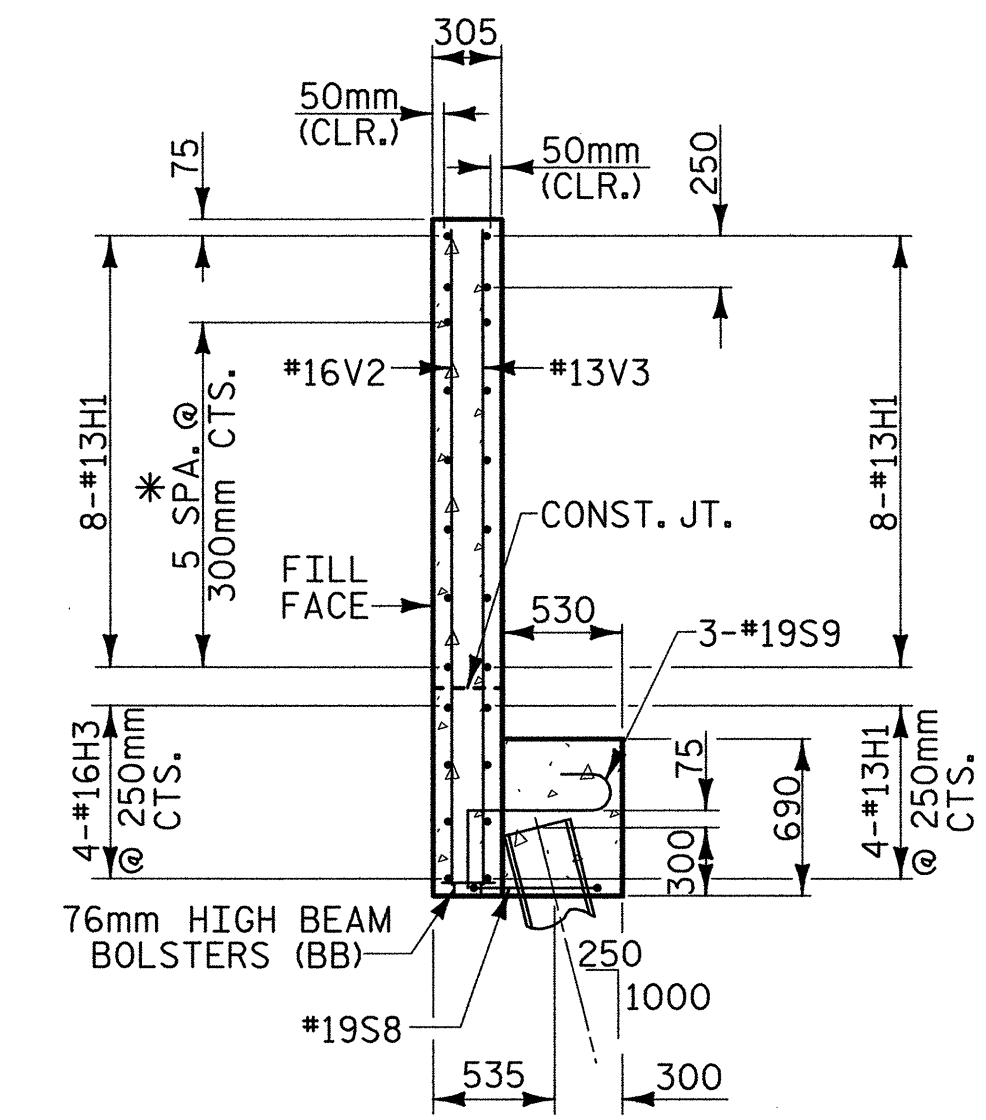


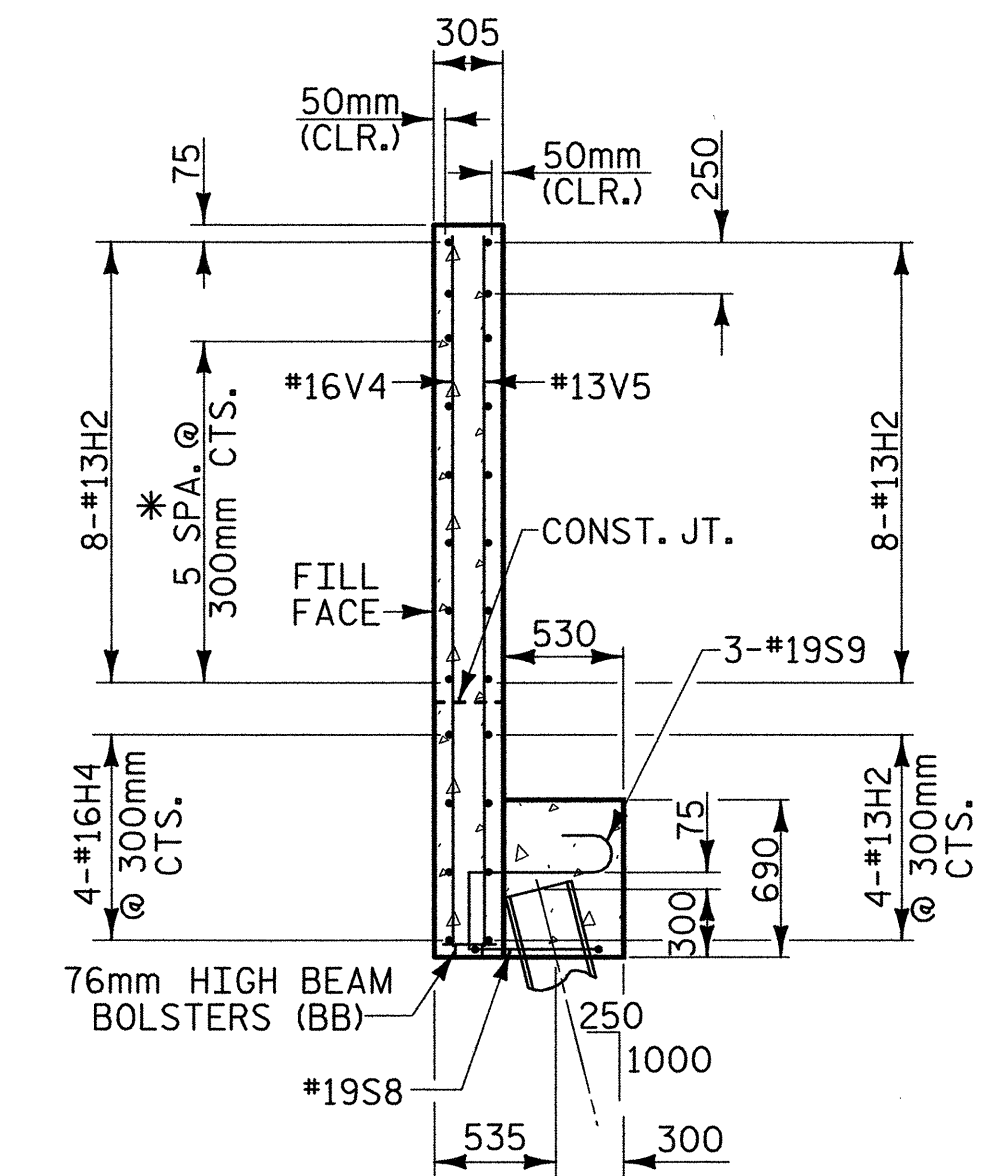
W1 PLAN OF LEFT WING



W2 PLAN OF RIGHT WING



SECTION A-A



SECTION B-B



PROJECT NO. R-2552AA  
 WAKE - JOHNSTON COUNTY  
 STATION: 14+38.000 -LREV- POT

SHEET 2 OF 3

STATE OF NORTH CAROLINA  
 DEPARTMENT OF TRANSPORTATION  
 RALEIGH

SUBSTRUCTURE  
 END BENT 1  
 (LEFT LANE)



REVISIONS				SHEET NO.	
NO.	BY:	DATE:	NO.	BY:	DATE:
1			3		
2			4		

REFERENCE NO. BL-24

02/04/2005 06:50:39 AM G:\Project\2004\23101R-2552A\Structures\Site -Left Lane\2552AA\_SD.El\_02.dgn

DRAWN BY: J. P. SHERMAN DATE: 9/04  
 CHECKED BY: R. C. LARSON DATE: 12/04