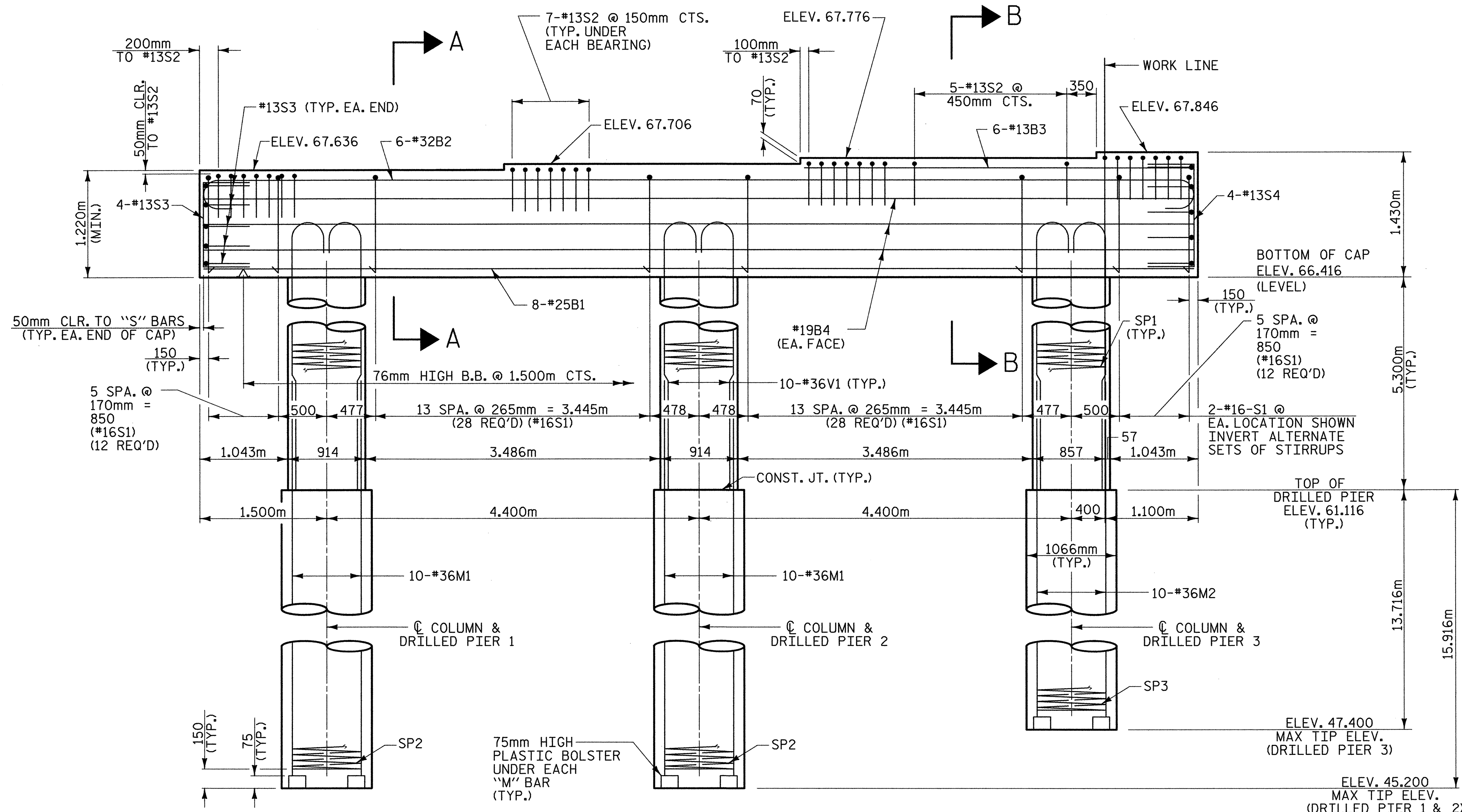
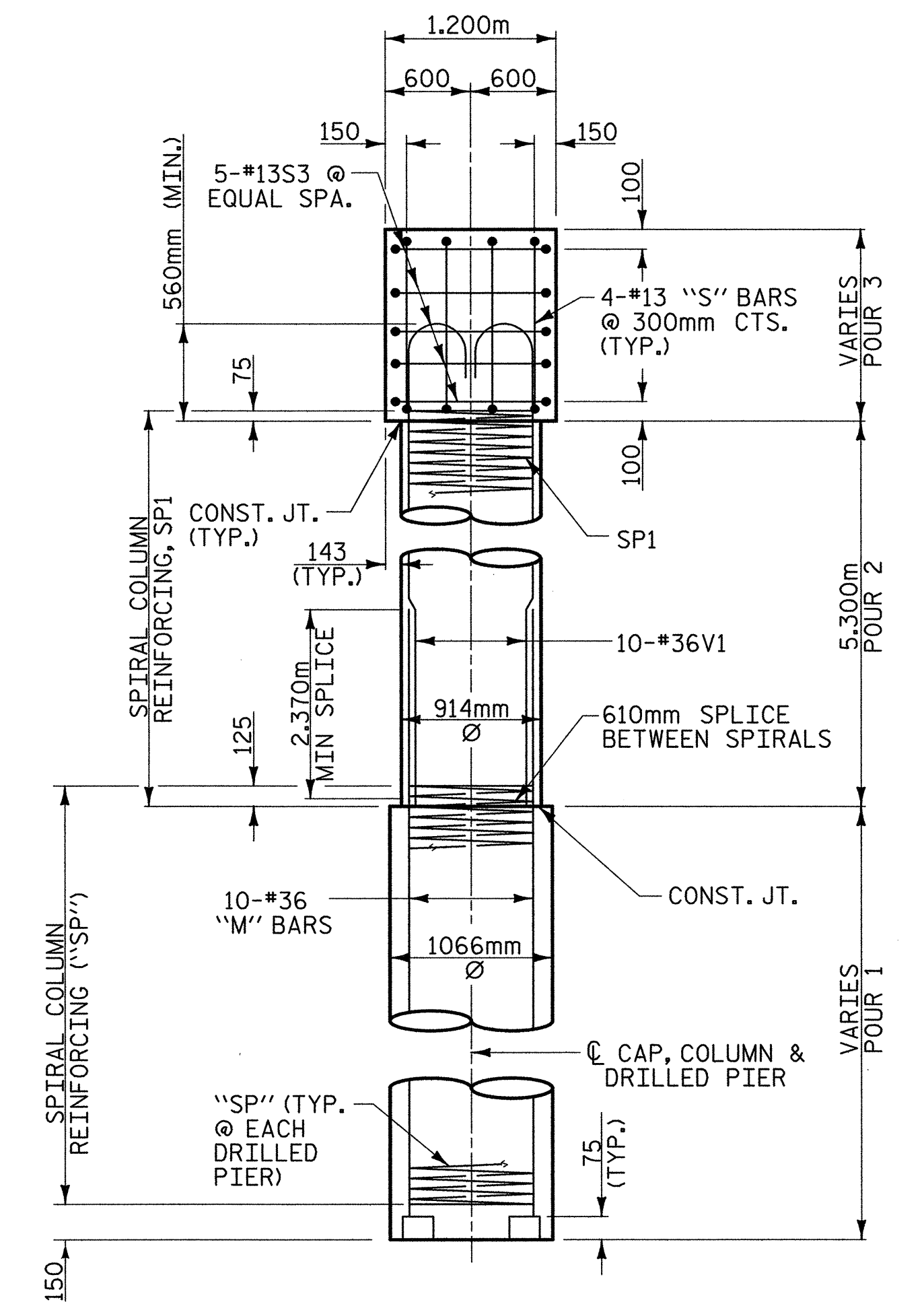


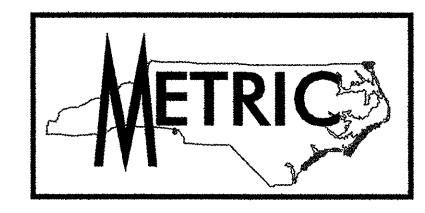
PLAN OF CAP



ELEVATION



END ELEVATION

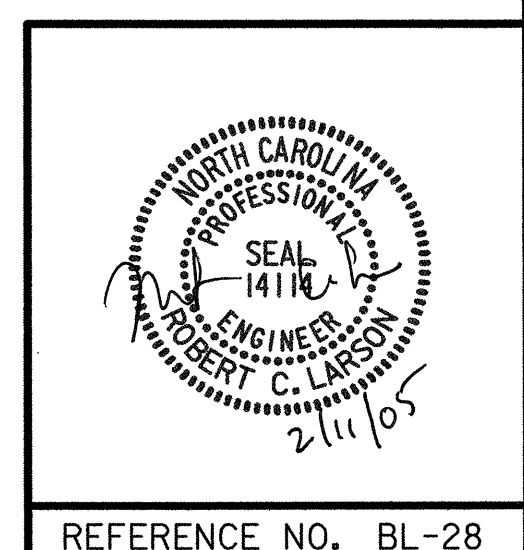


PROJECT NO. R-252AA
 WAKE - JOHNSTON COUNTY
 STATION: 14+38.000 -LREV- POT

SHEET 1 OF 2

STATE OF NORTH CAROLINA
 DEPARTMENT OF TRANSPORTATION
 RALEIGH

SUBSTRUCTURE
 BENT 2
 (LEFT LANE)



| REVISIONS | | | | | | SHEET NO. |
|-----------|-----|-------|-----|-----|-------|--------------|
| NO. | BY: | DATE: | NO. | BY: | DATE: | TOTAL SHEETS |
| 1 | | | 3 | | | 5-167 |
| 2 | | | 4 | | | 429 |

REFERENCE NO. BL-28

02/04/2005 06:53:28 AM G:\pvc\lect\2004\23\01R-252AA\Structures\Site 4\Left Lane\R252AA_SD_B2_01.dgn

DRAWN BY: J. P. SHERMAN DATE: 10/04
 CHECKED BY: R. C. LARSON DATE: 12/04