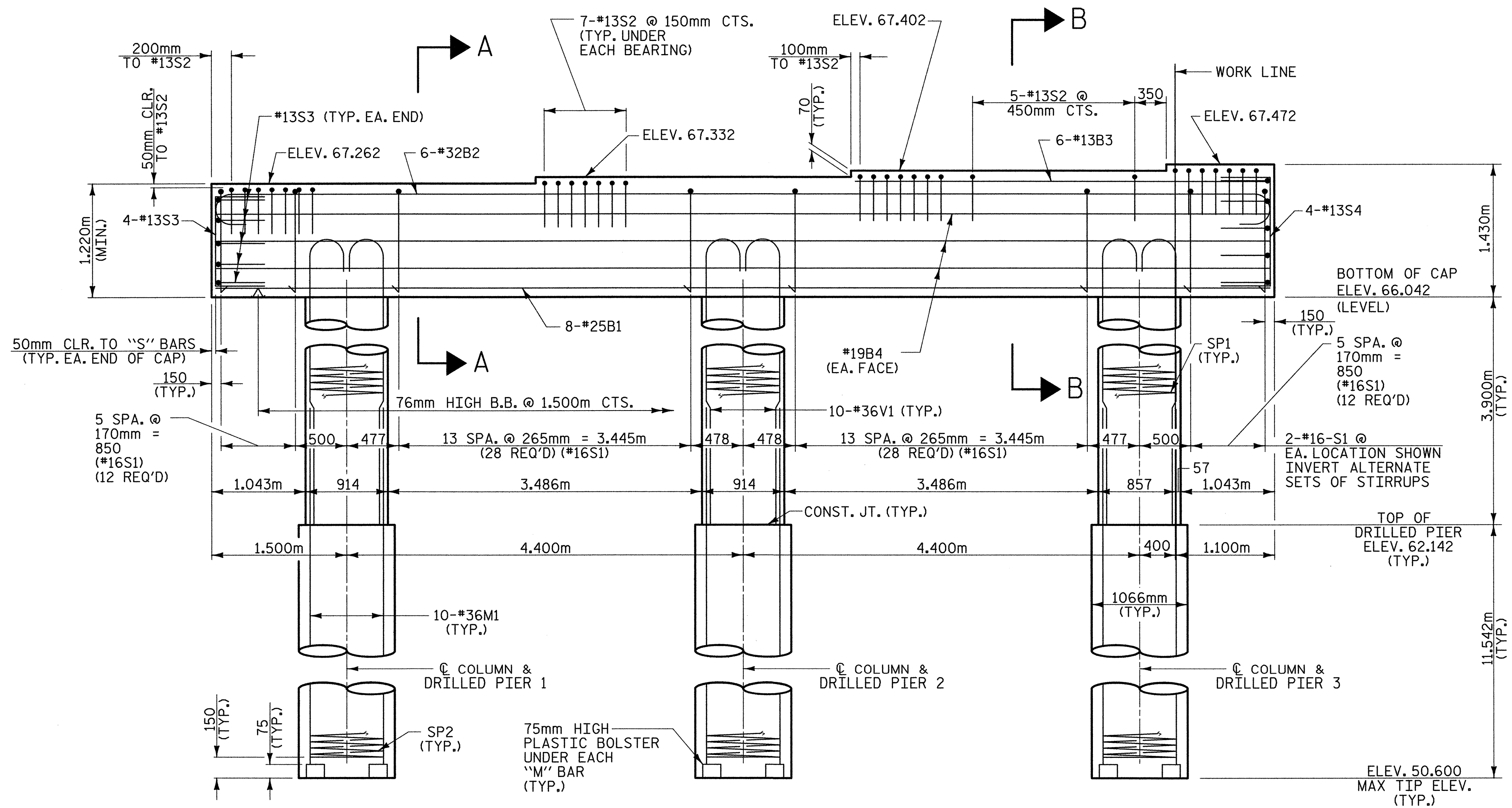
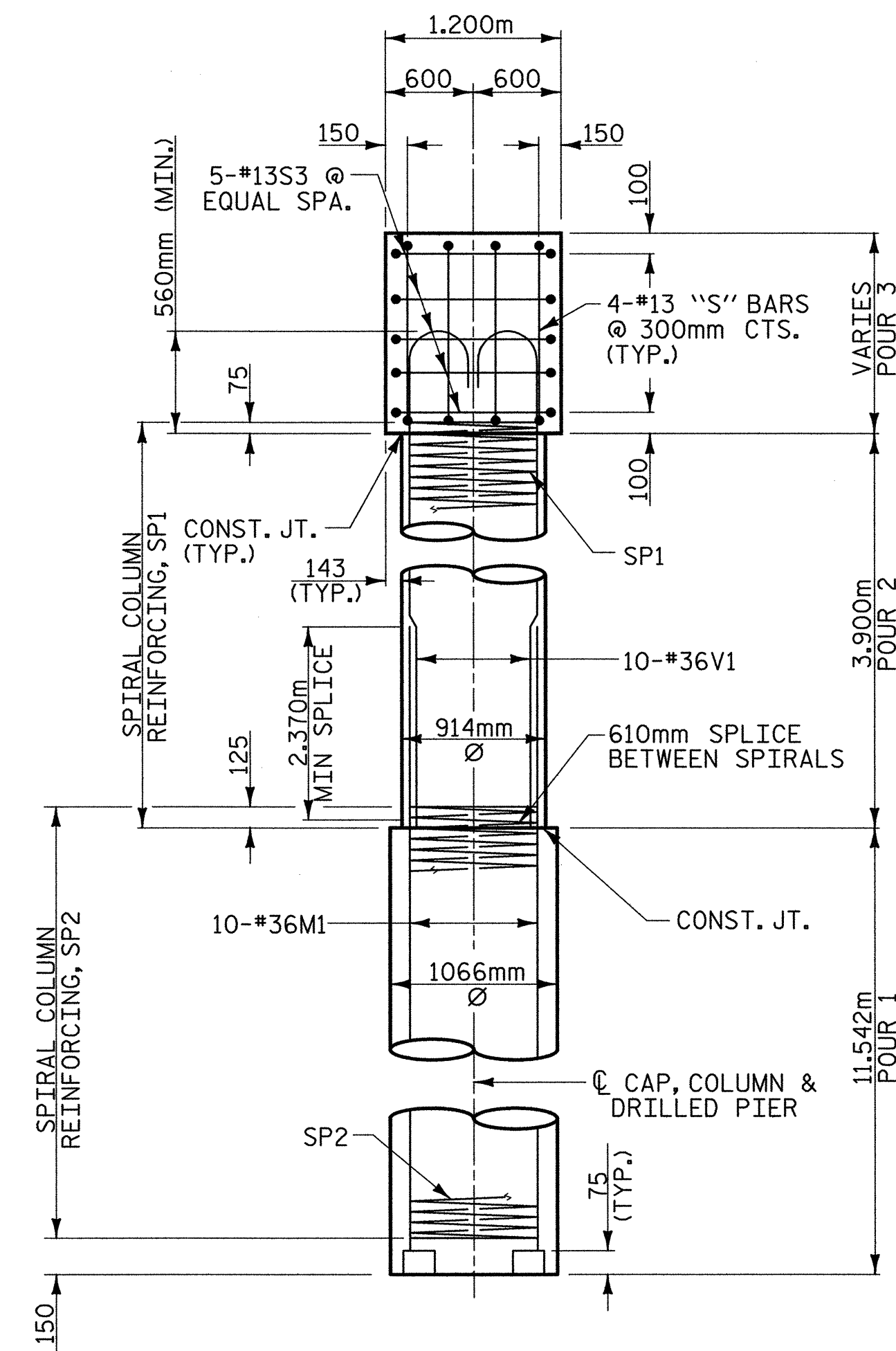


PLAN OF CAP



ELEVATION



END ELEVATION

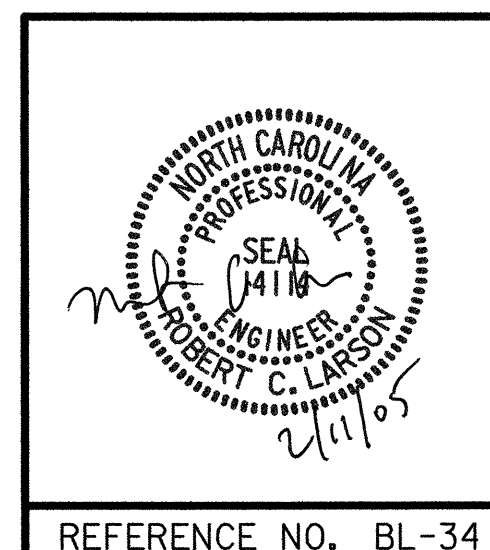


PROJECT NO. R-2552AA
 WAKE - JOHNSTON COUNTY
 STATION: 14+38.000 -LREV- POT

SHEET 1 OF 2

STATE OF NORTH CAROLINA
 DEPARTMENT OF TRANSPORTATION
 RALEIGH

SUBSTRUCTURE
 BENT 5
 (LEFT LANE)



REVISIONS				SHEET NO.	
NO.	BY:	DATE:	NO.	BY:	DATE:
1			3		
2			4		

DRAWN BY: J. P. SHERMAN DATE: 10/04
 CHECKED BY: R. C. LARSON DATE: 12/04

REFERENCE NO. BL-34

02/04/2005 06:57:19 AM G:\projects\2004\2004-018-R-2552A\Structures\Site 4\Left Lane\2552AA_SD_BS_0.dgn