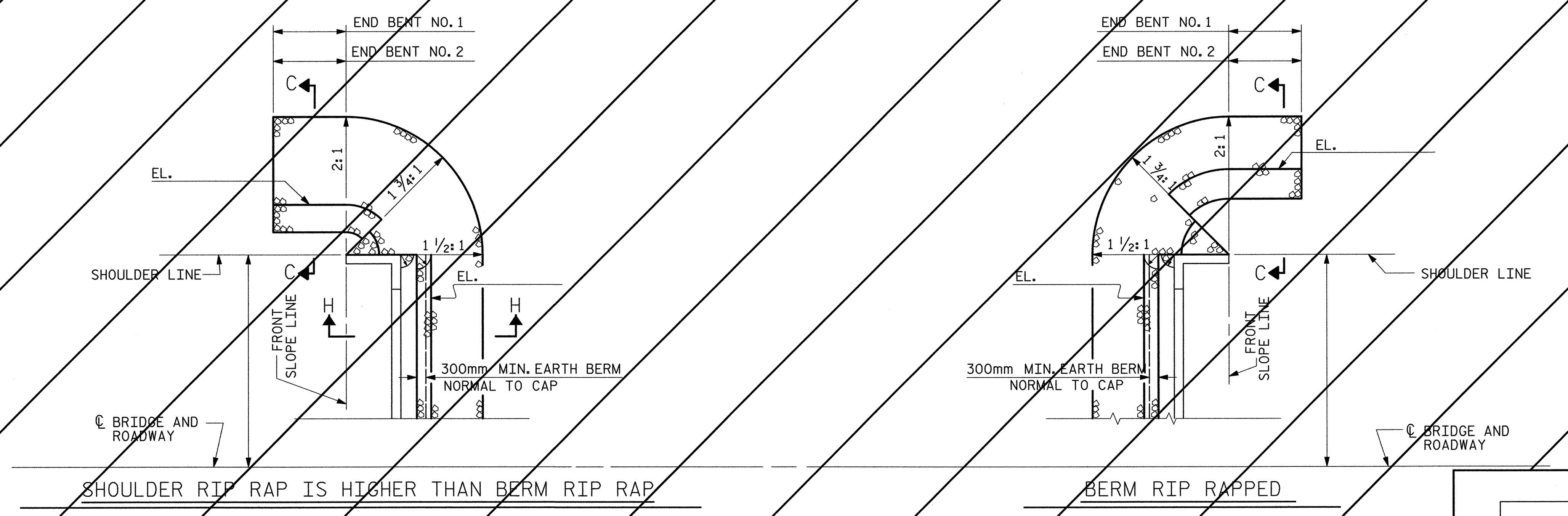
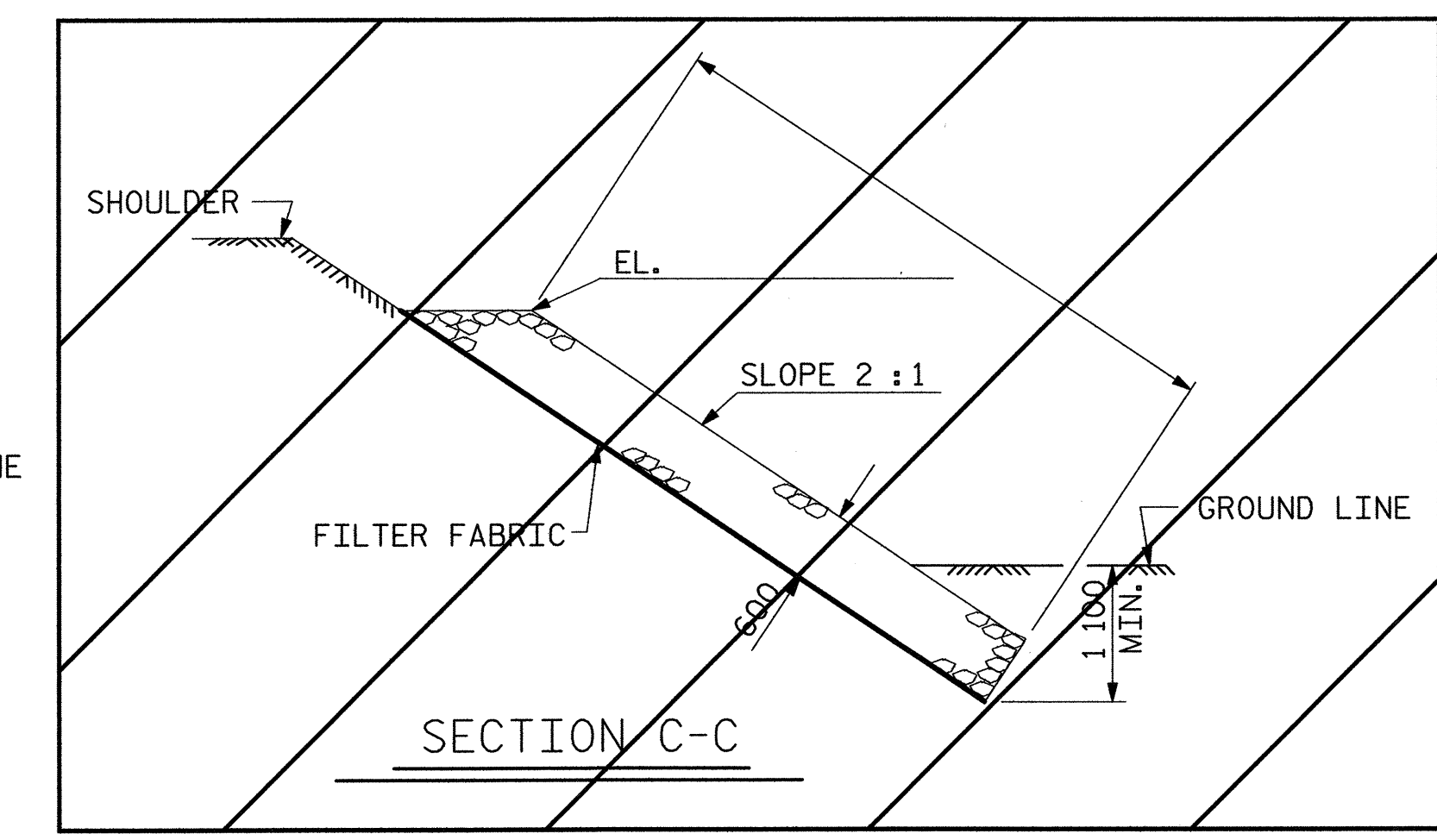
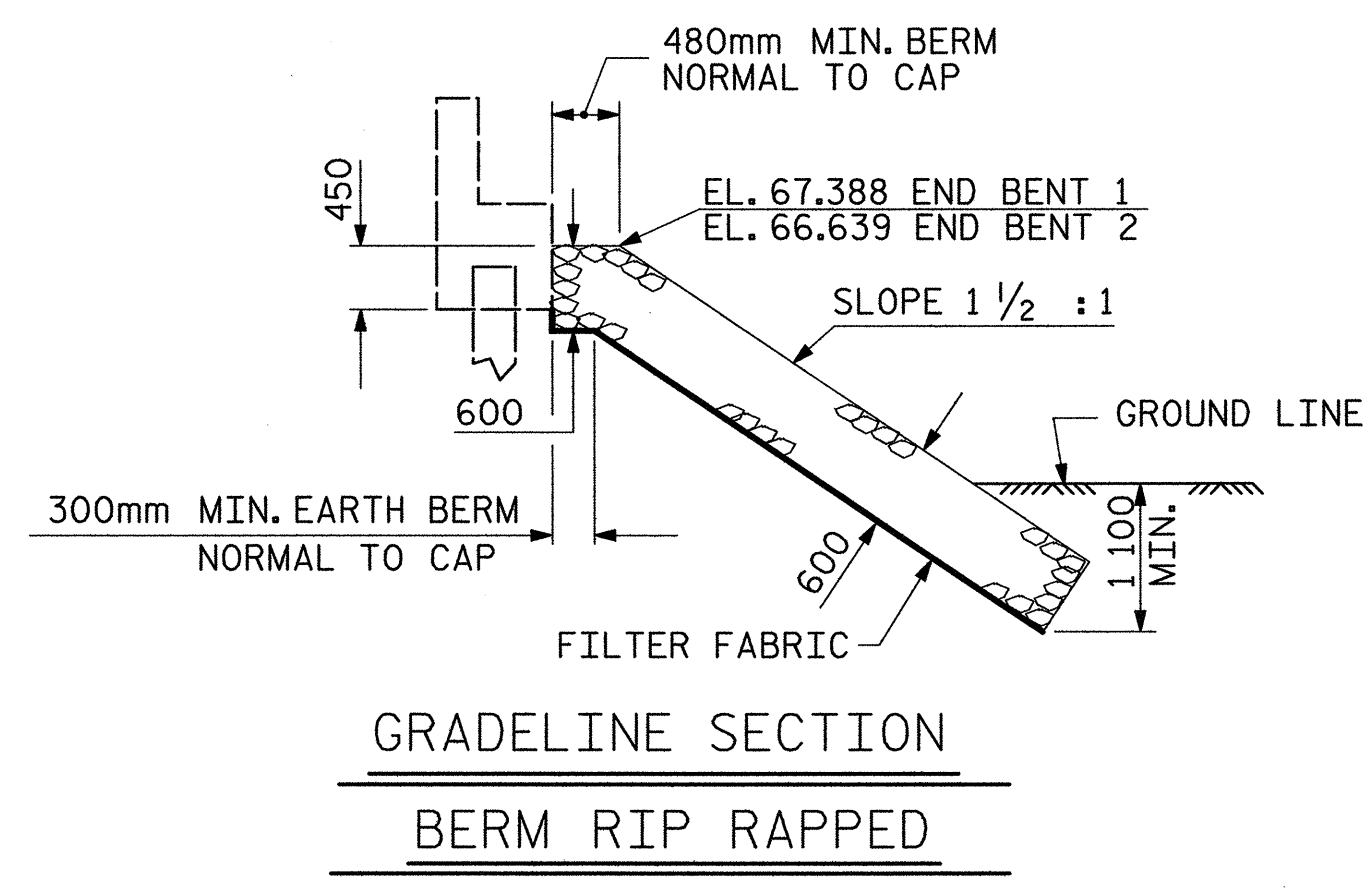
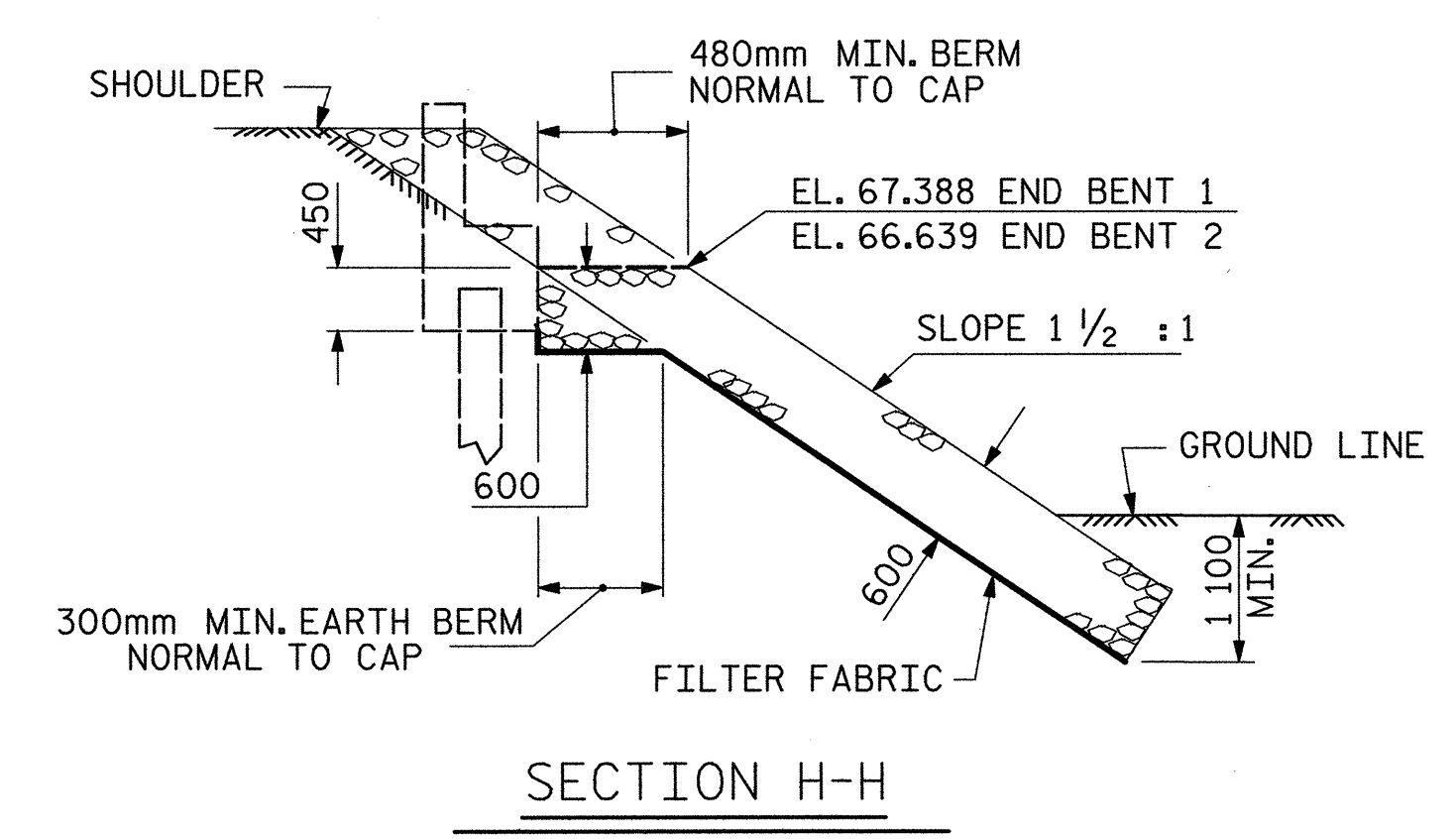


NOTES :
FOR BERM WIDTH DIMENSIONS, SEE GENERAL DRAWING.



ESTIMATED QUANTITIES		
BRIDGE @ STA. 14+38.000 -LREV- (LEFT LANE)	PLAIN RIP RAP CLASS I	FILTER FABRIC FOR DRAINAGE
	METRIC TON	SQUARE METERS
END BENT 1	290	295
END BENT 2	265	270

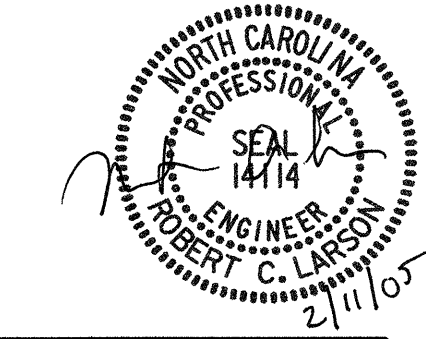


PROJECT NO. R-2552AA
WAKE - JOHNSTON COUNTY
STATION: 14+38.000 -LREV- POT

SHEET 2 OF 2

STATE OF NORTH CAROLINA
DEPARTMENT OF TRANSPORTATION
RALEIGH
STANDARD
RIP RAP DETAILS
(LEFT LANE)
STD. NO. RR2SM

THIS STANDARD DRAWING REVIEWED & ADOPTED FOR USE AT THE REFERENCED LOCATION BY THE UNDERSIGNED:



REFERENCE NO. BL-40

REVISIONS				SHEET NO.
NO.	BY:	DATE:	NO.	DATE:
1			3	
2			4	

02/04/2005 07:02:36 AM G:\projects\2004\23.016-2552A\Structures\Site 4\Left Lane\RR252AA.SD.RR.02.dgn

ASSEMBLED BY : J. P. SHERMAN	DATE : 7/04
CHECKED BY : R. C. LARSON	DATE : 12/04
DRAWN BY : FCJ 2/88	REV. 7/17/98 REK/RWW
CHECKED BY : ARB 8/88	REV. 8/16/99 RWW/LES
	REV. 10/17/00 RWW/LES

TOTAL SHEETS
429