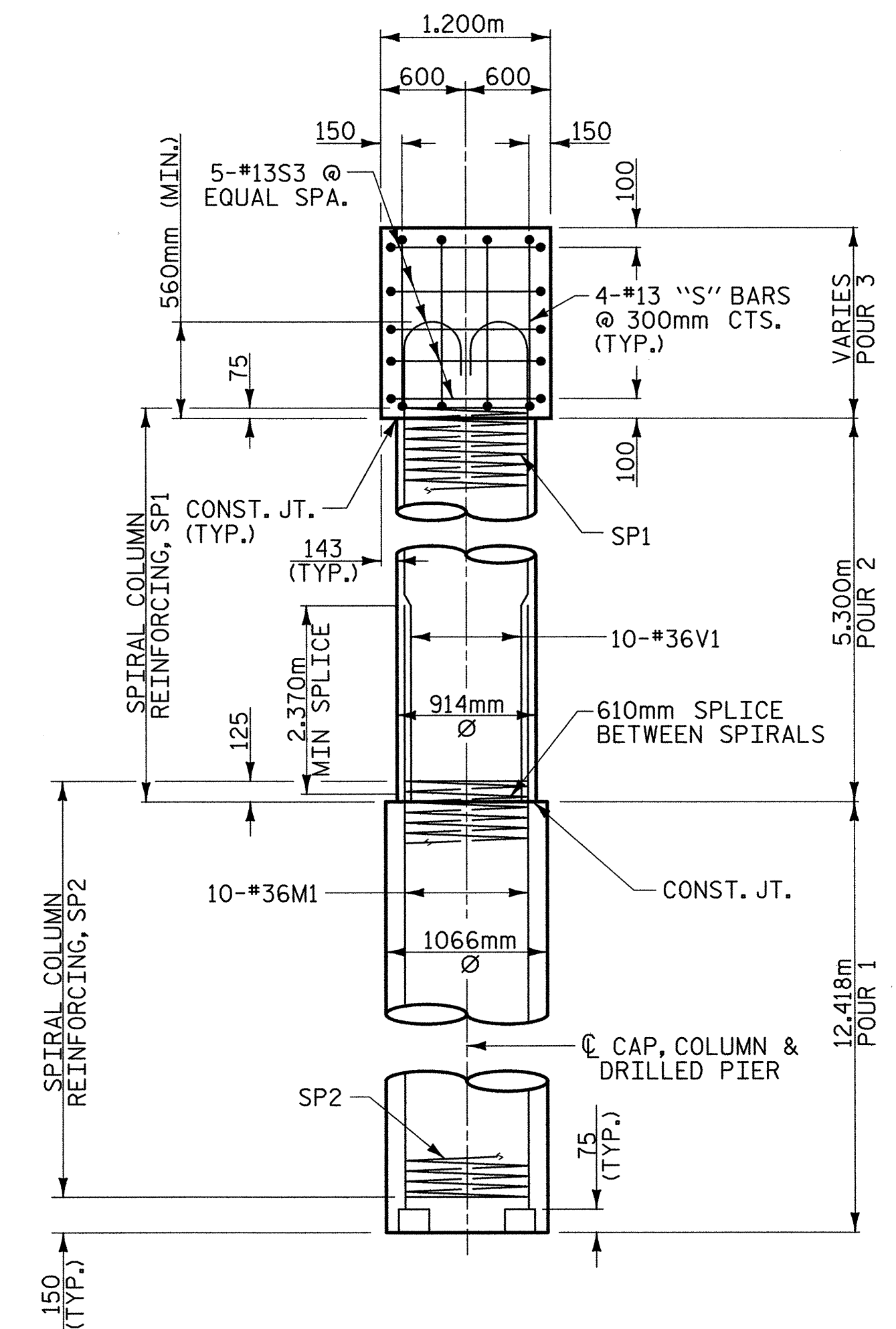
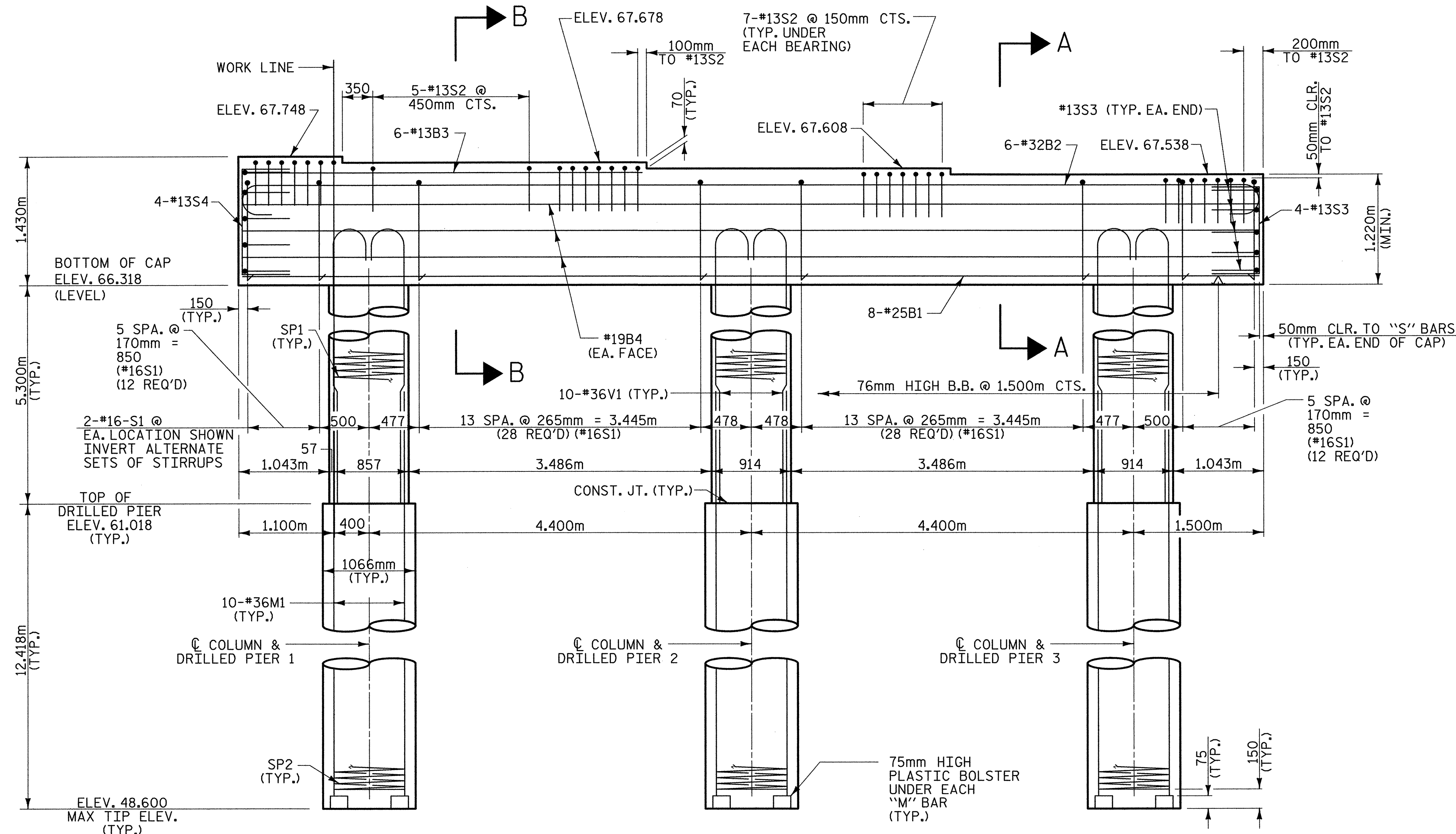


PLAN OF CAP



END ELEVATION



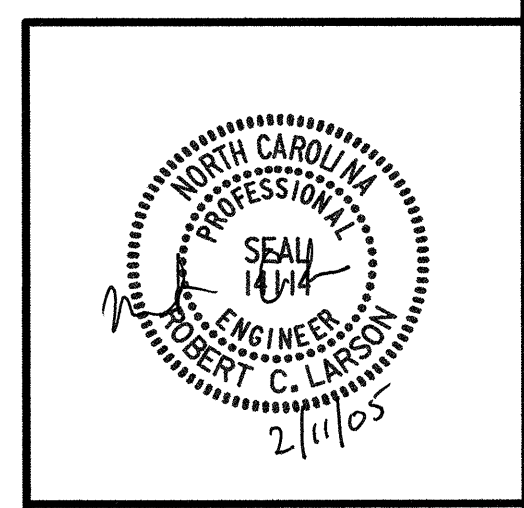
ELEVATION



PROJECT NO. R-2552AA
 WAKE - JOHNSTON COUNTY
 STATION: 14+38.000 -LREV- POT

SHEET 1 OF 2

STATE OF NORTH CAROLINA
 DEPARTMENT OF TRANSPORTATION
 RALEIGH
 SUBSTRUCTURE
 BENT 2
 (RIGHT LANE)



REVISIONS						SHEET NO.	
NO.	BY:	DATE:	NO.	BY:	DATE:	TOTAL SHEETS	
1			3			5-211	
2			4			429	

REFERENCE NO. BR-28

02/04/2005 07:47:31 AM G:\p\c\lect\2004\23\016-2552\Structures\Site 4\Right Lane\R2552AA_L2_B2.dwg

DRAWN BY : J. P. SHERMAN DATE : 10/04
 CHECKED BY : R. C. LARSON DATE : 12/04