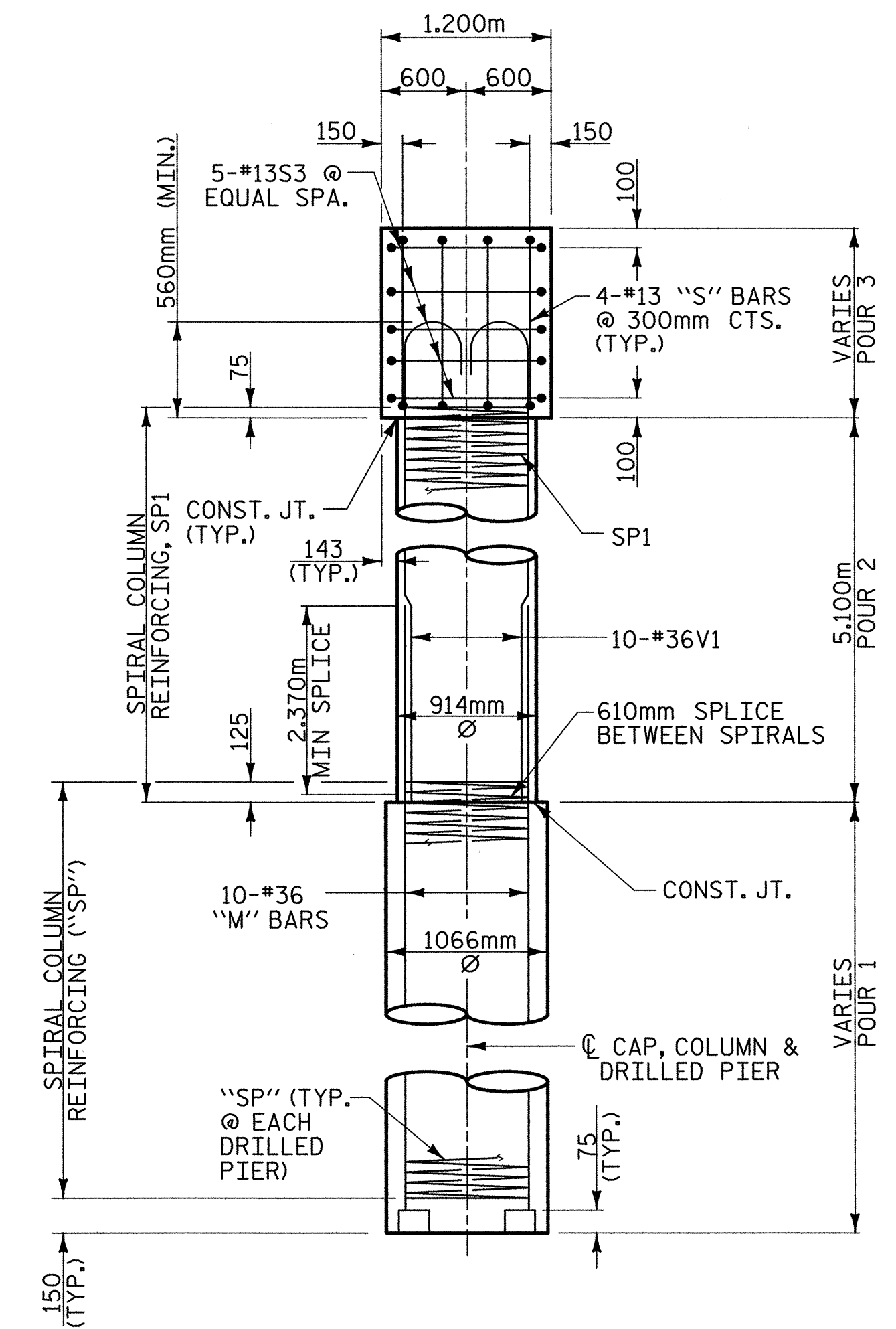
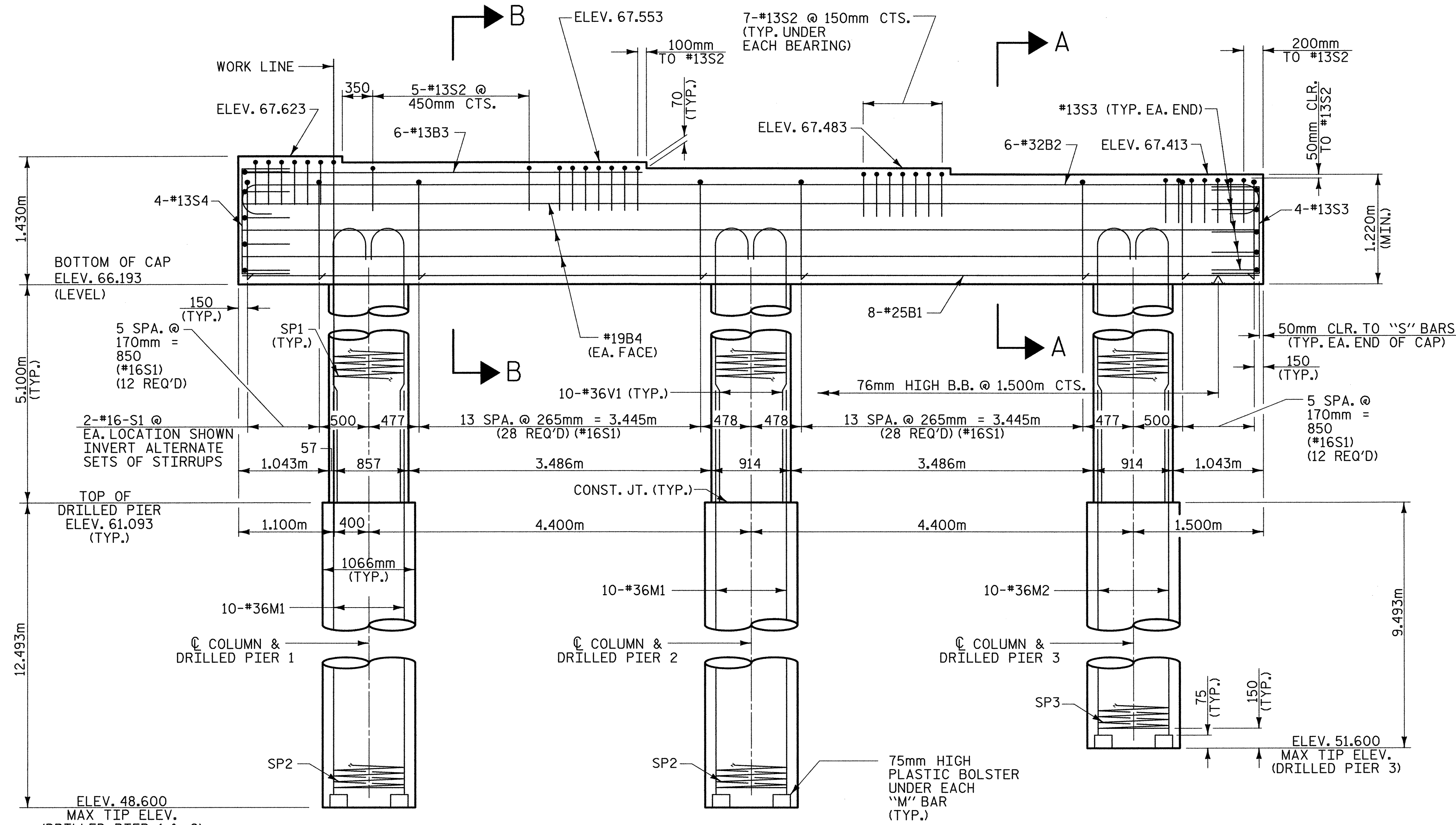


PLAN OF CAP



END ELEVATION



ELEVATION

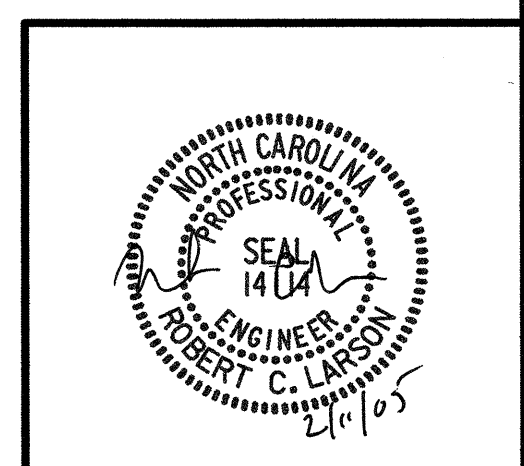


PROJECT NO. R-252AA
WAKE - JOHNSTON COUNTY
 STATION: 14+38.000 -LREV- POT

SHEET 1 OF 2

STATE OF NORTH CAROLINA
 DEPARTMENT OF TRANSPORTATION
 RALEIGH

SUBSTRUCTURE
 BENT 3
 (RIGHT LANE)



REVISIONS						SHEET NO.
NO.	BY:	DATE:	NO.	BY:	DATE:	TOTAL SHEETS
1			3			5-213
2			4			429

REFERENCE NO. BR-30

02/04/2005 07:48:33 AM G:\p\0\0\0\2004\23\01R-2552\Structures\Site 4\Right Lane\R252AA-SUB.B3.dwg

DRAWN BY: J. P. SHERMAN DATE: 10/04
 CHECKED BY: R. C. LARSON DATE: 12/04