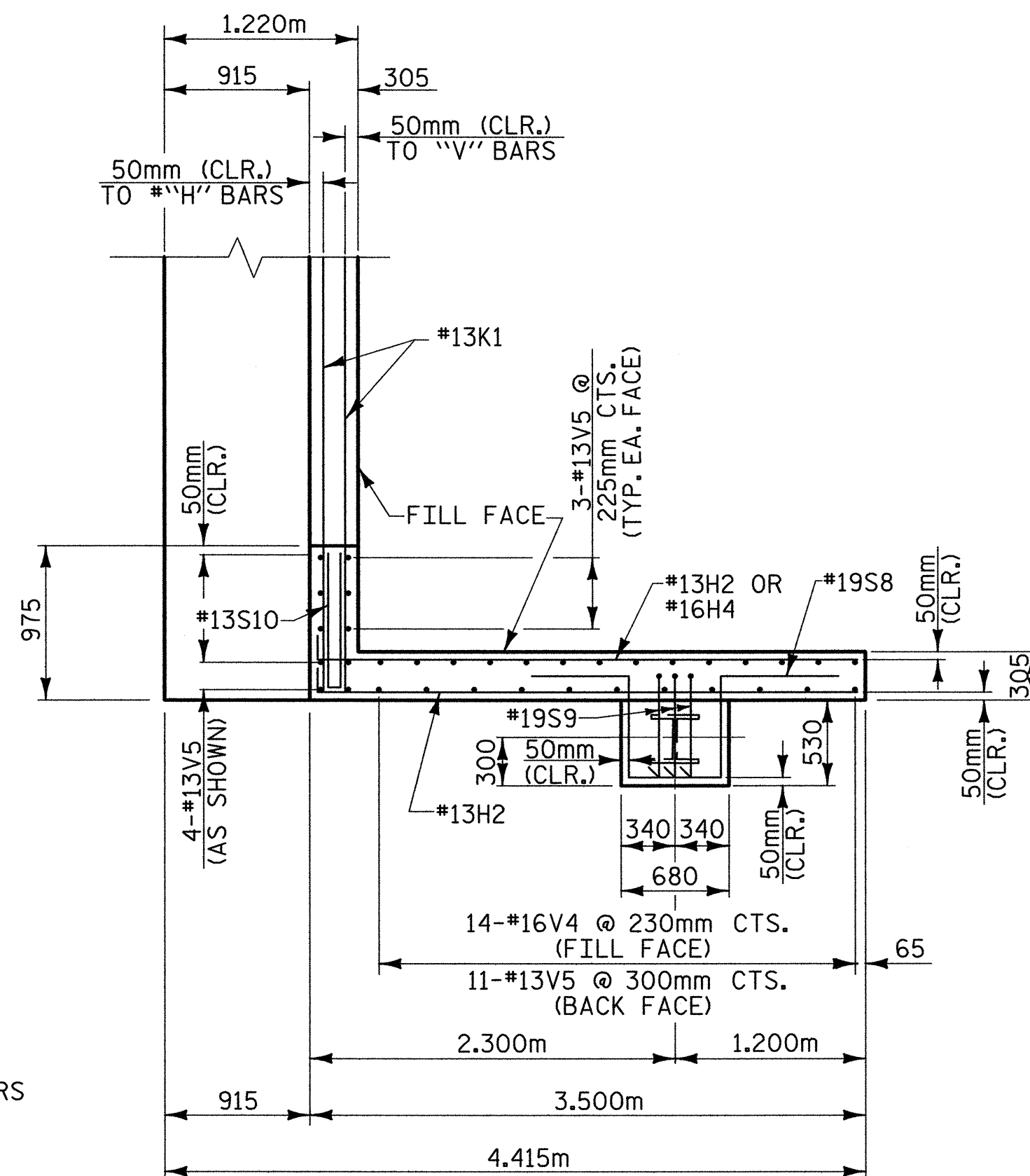
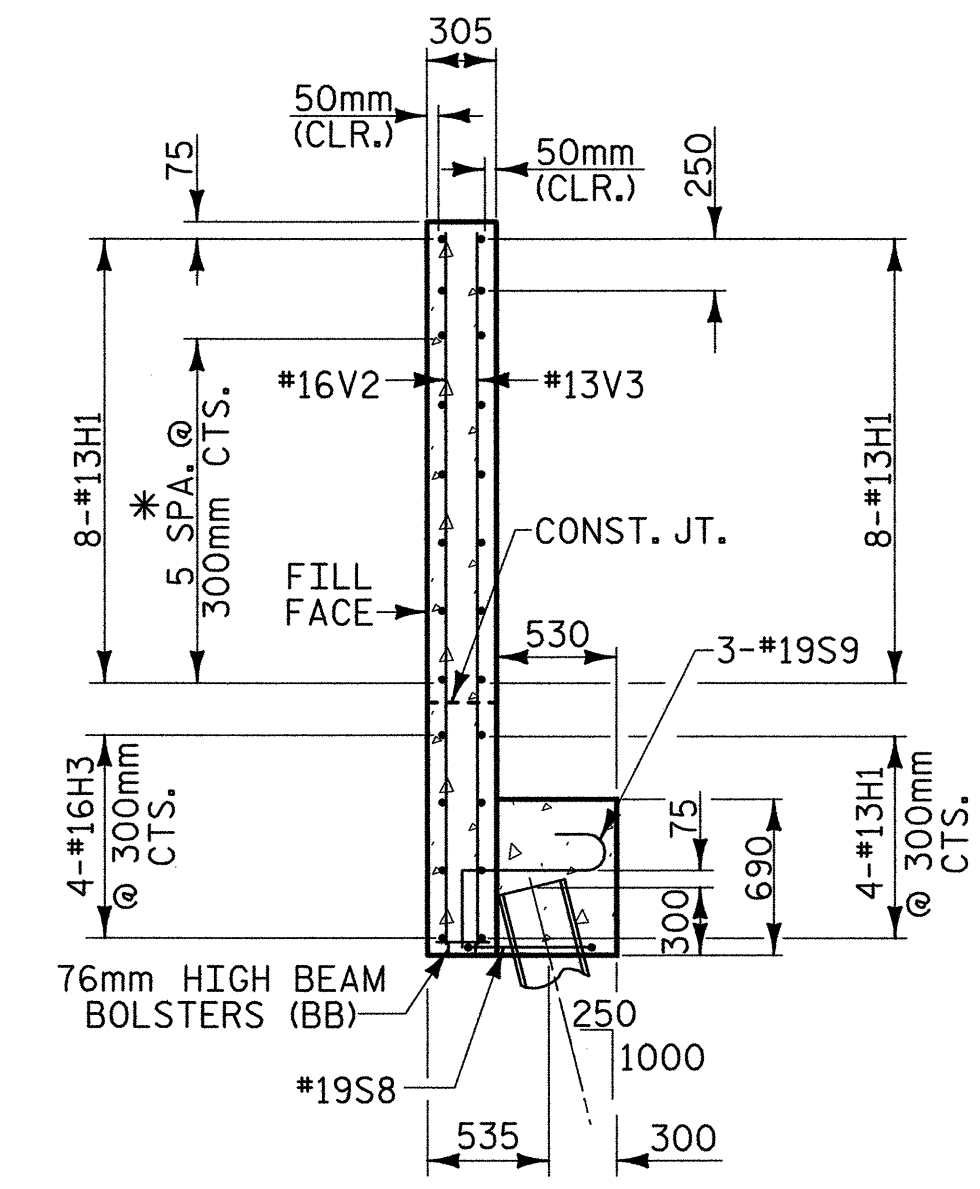


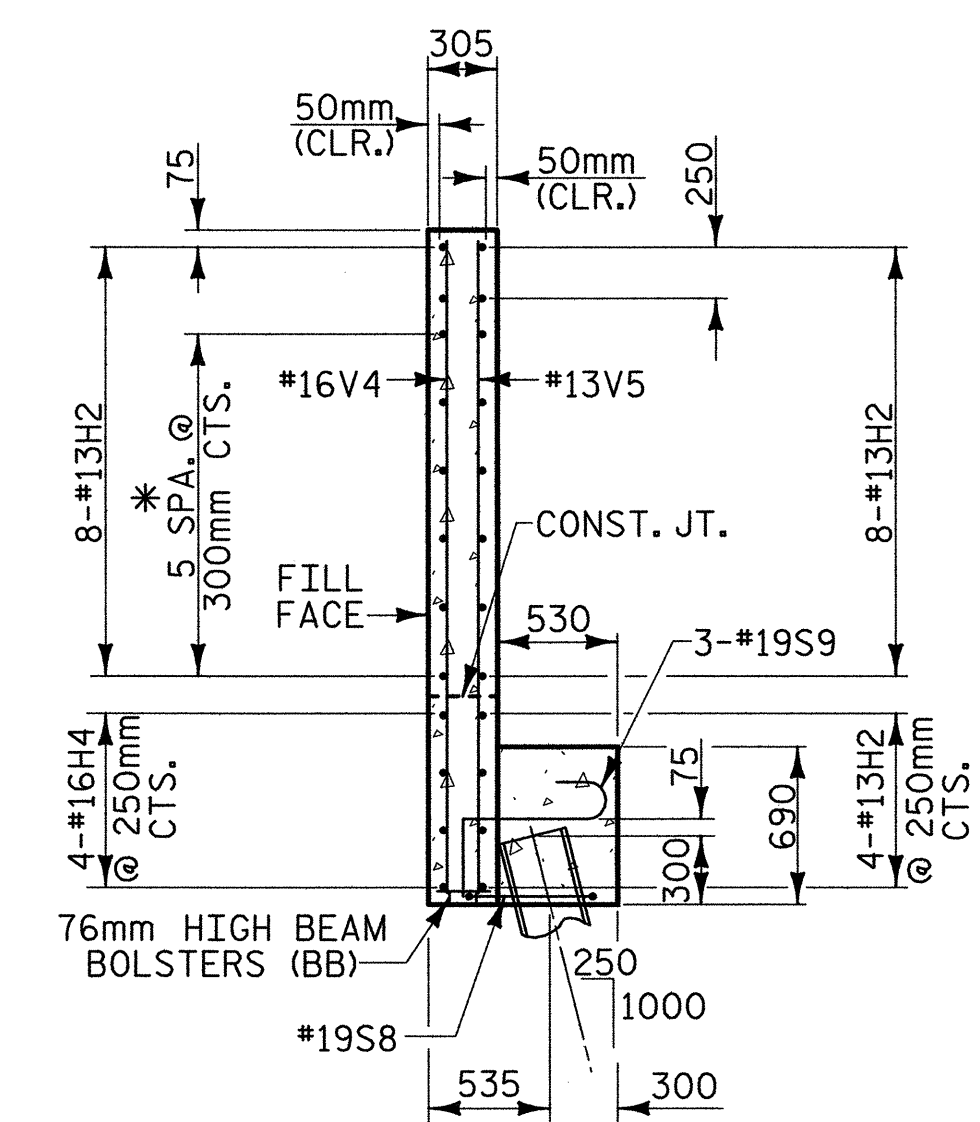
W1 PLAN OF LEFT WING



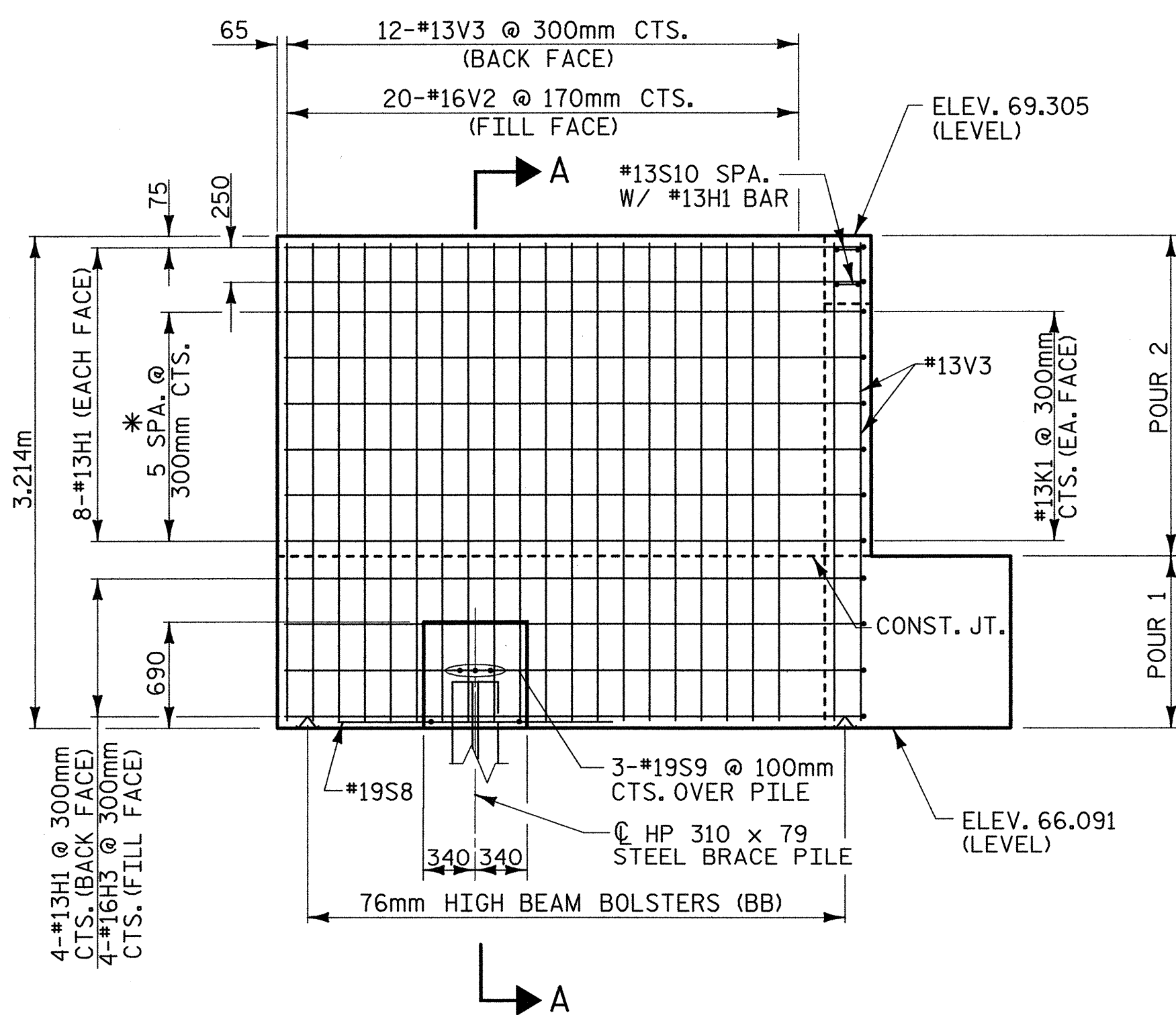
W2 PLAN OF RIGHT WING



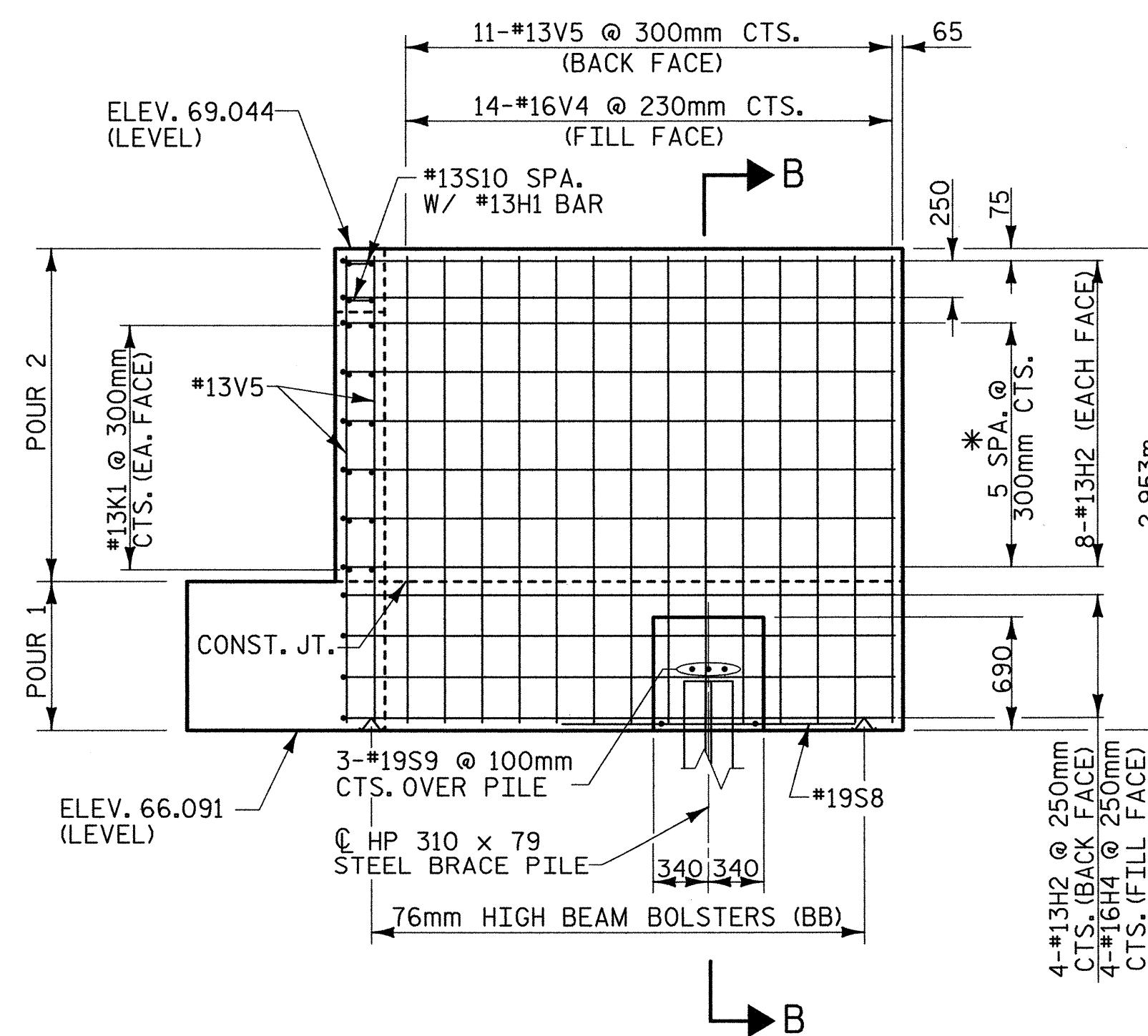
SECTION A-A



SECTION B-B



W1 ELEVATION OF LEFT WING



W2 ELEVATION OF RIGHT WING

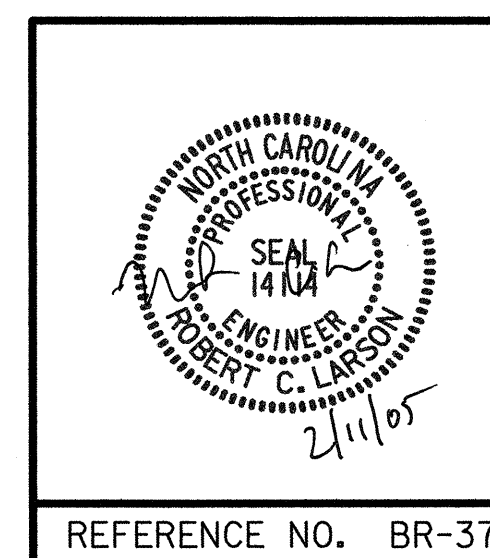


PROJECT NO. R-2552AA
WAKE - JOHNSTON COUNTY
 STATION: 14+38.000 -LREV- POT

SHEET 2 OF 3

STATE OF NORTH CAROLINA
 DEPARTMENT OF TRANSPORTATION
 RALEIGH

**SUBSTRUCTURE
 END BENT 2
 (RIGHT LANE)**



REVISIONS				SHEET NO.
NO.	BY:	DATE:	NO.	DATE:
1			3	
2			4	

REFERENCE NO. BR-37

02/04/2005 12:59:44 PM G:\Vp\01\2004\231\01R-2552AA\Structure\W1.dwg 4:Right Lane\R2552AA_SD_E2.dwg

DRAWN BY : J. P. SHERMAN DATE : 12/04
 CHECKED BY : R. C. LARSON DATE : 12/04

TOTAL SHEETS
 429