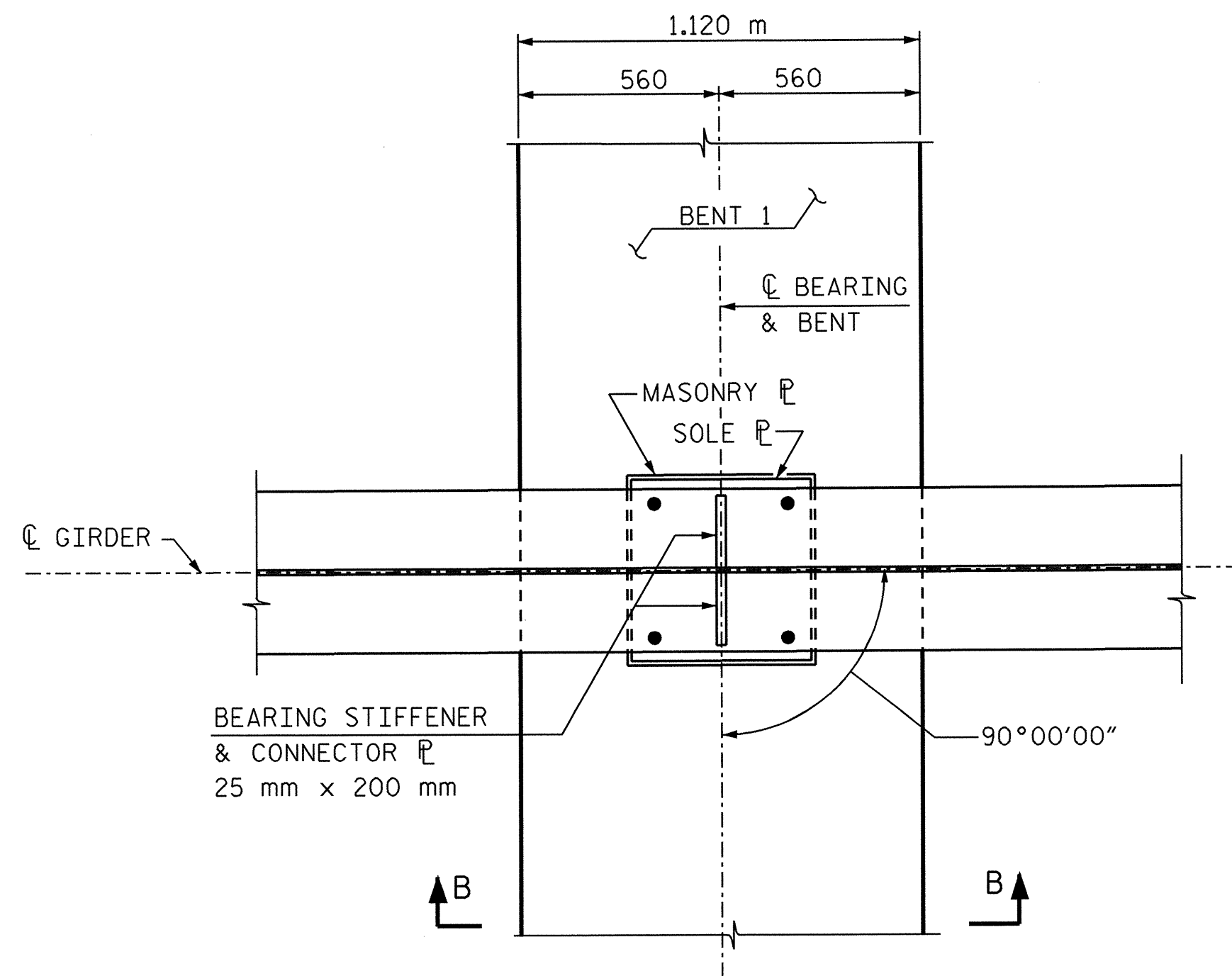
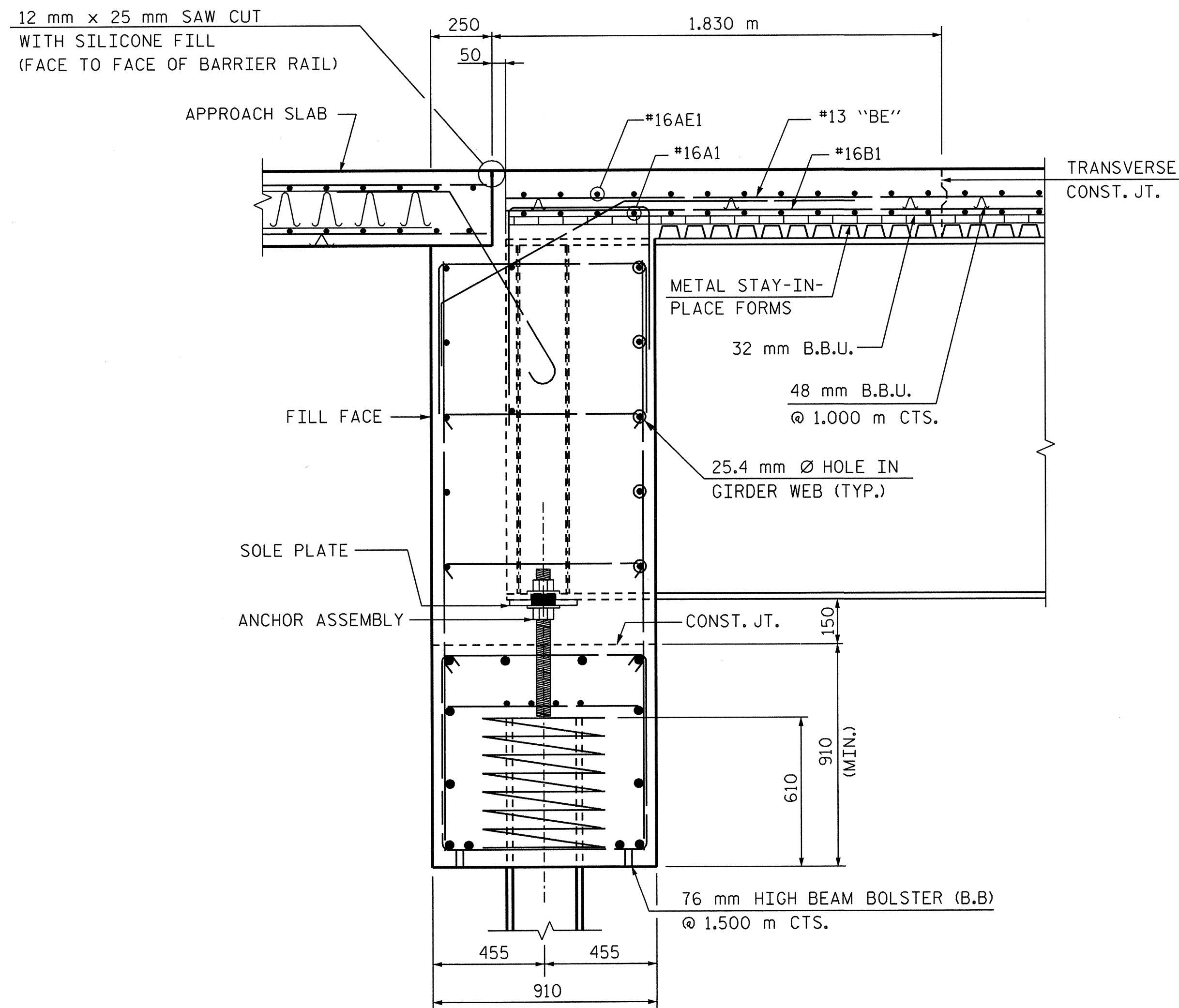


PLAN DETAIL OF END BENT JOINT
(END BENT 1 SHOWN, END BENT 2 SIMILAR)

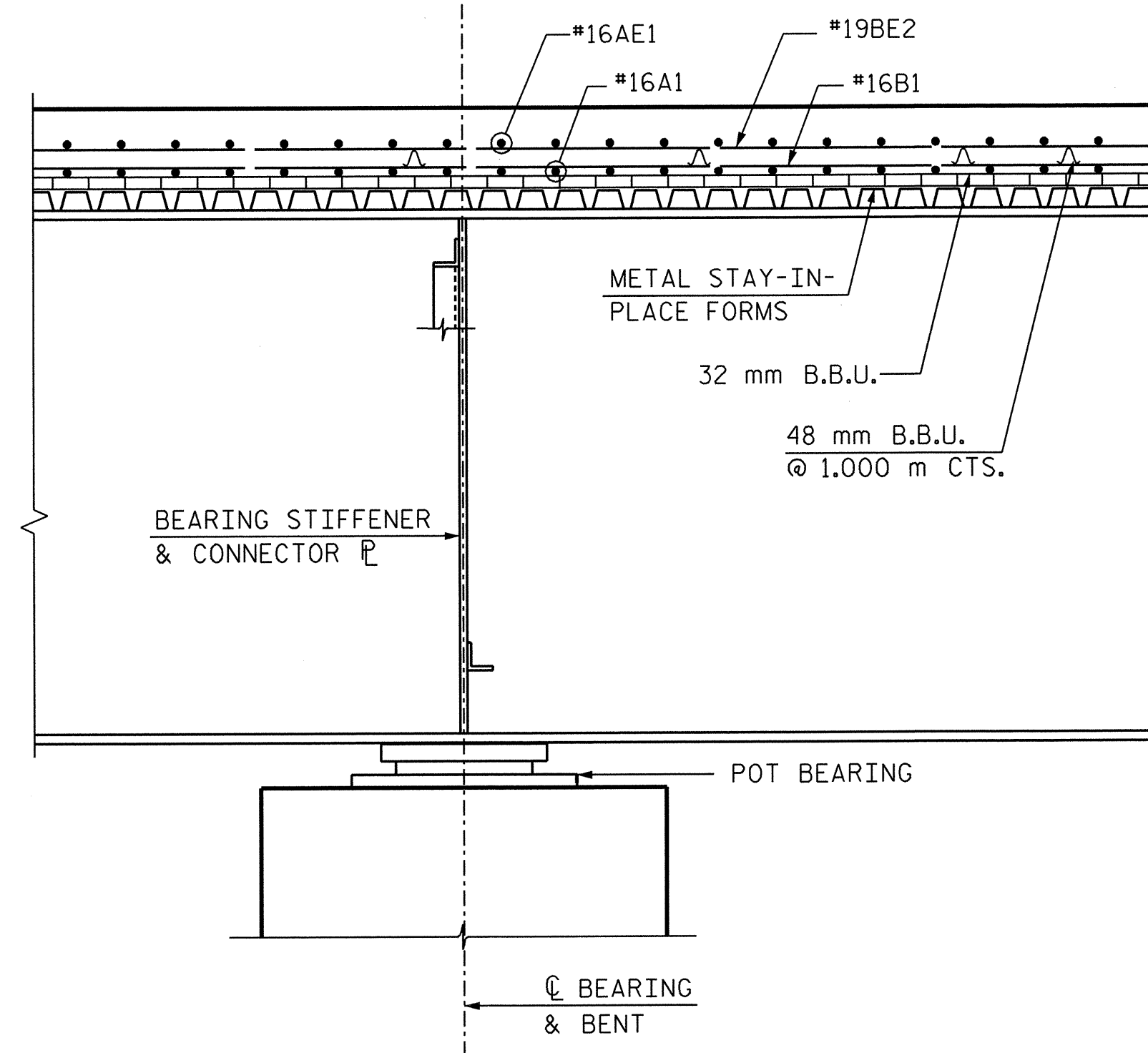


PLAN DETAIL OF BENT 1



SECTION A-A

(DIMENSIONS SHOWN ARE NORMAL TO THE END BENT)
(END BENT 1 SHOWN, END BENT 2 SIMILAR)



SECTION B-B

PROJECT NO. R-2552AA
WAKE / JOHNSTON COUNTY
STATION: 27+61.028 -L- P.O.T.

SHEET 2 OF 2

STATE OF NORTH CAROLINA
DEPARTMENT OF TRANSPORTATION
RALEIGH

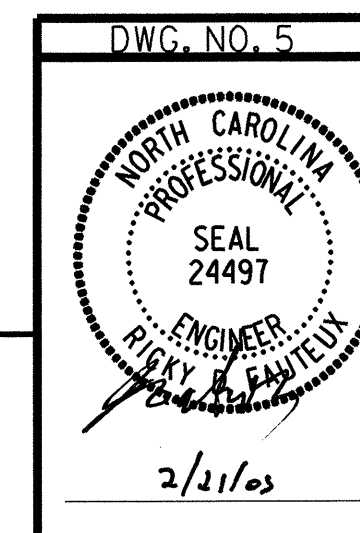
SUPERSTRUCTURE
TYPICAL SECTION
DETAILS

JANUARY

2005

DRAWN BY: B. PARRISH DATE: 01/05
CHECKED BY: R. D. FAUTEUX DATE: 01/05

RUMMEL, KLEPPER & KAHL, LLP
consulting engineers
5800 FARINGTON PLACE - SUITE 105
RALEIGH, NORTH CAROLINA 27609-3960



NO.		BY:		DATE:		NO.		BY:		DATE:		TOTAL SHEETS	
1						3						5-232	
2						4						429	

G:\COMNOS\304046\BRIDGE\SITES\06\N\FINAL\R2552AA_SD_TS2_05.DGN