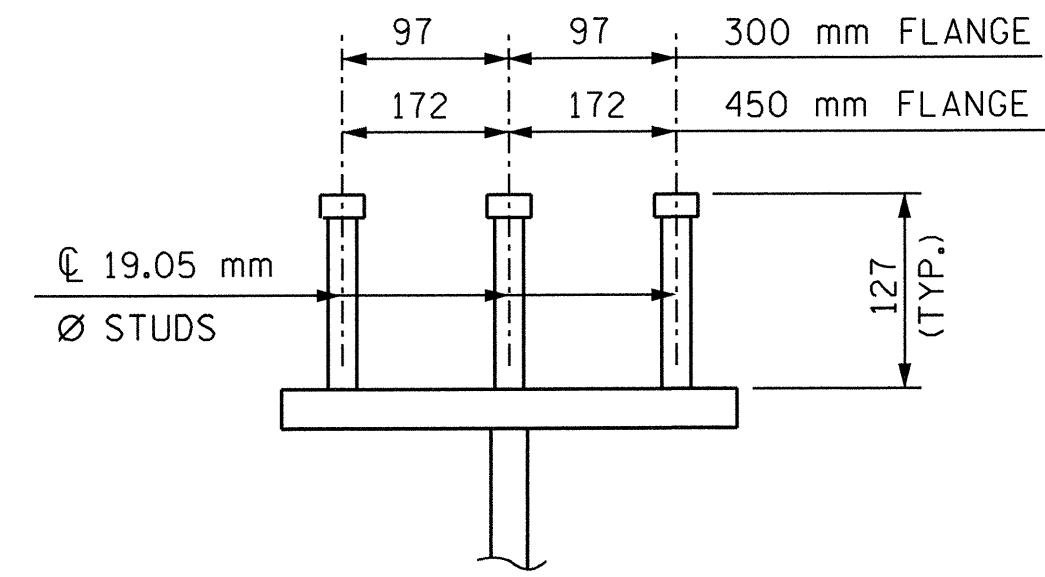
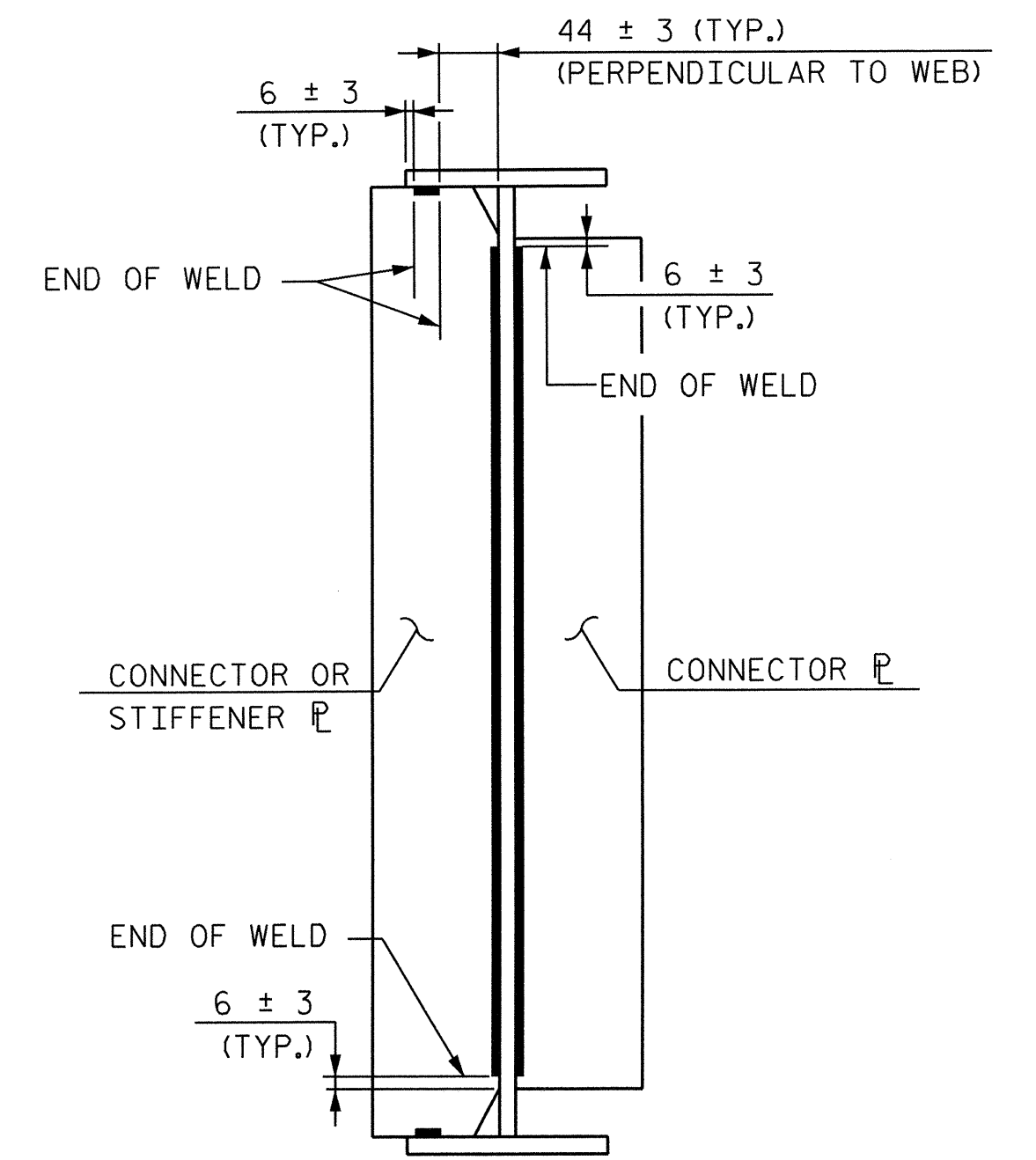


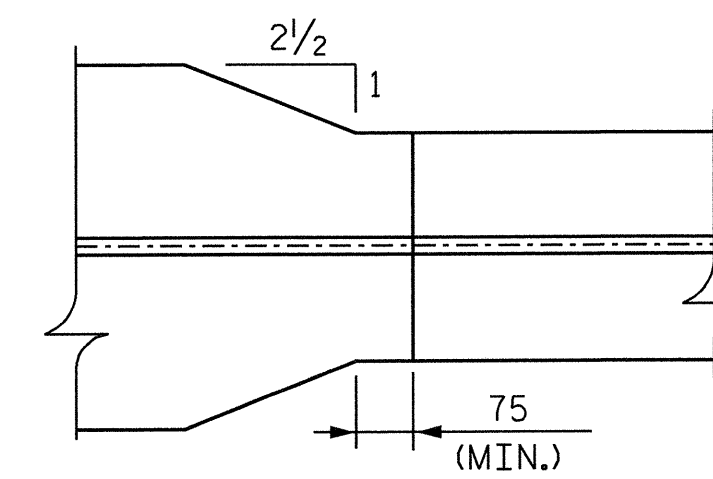
INTERMEDIATE DIAPHRAGM CONNECTOR PLATE    END BENT BEARING STIFFENER    BENT 1 BEARING STIFFENER AND CONNECTOR PLATE    TRANSVERSE STIFFENER



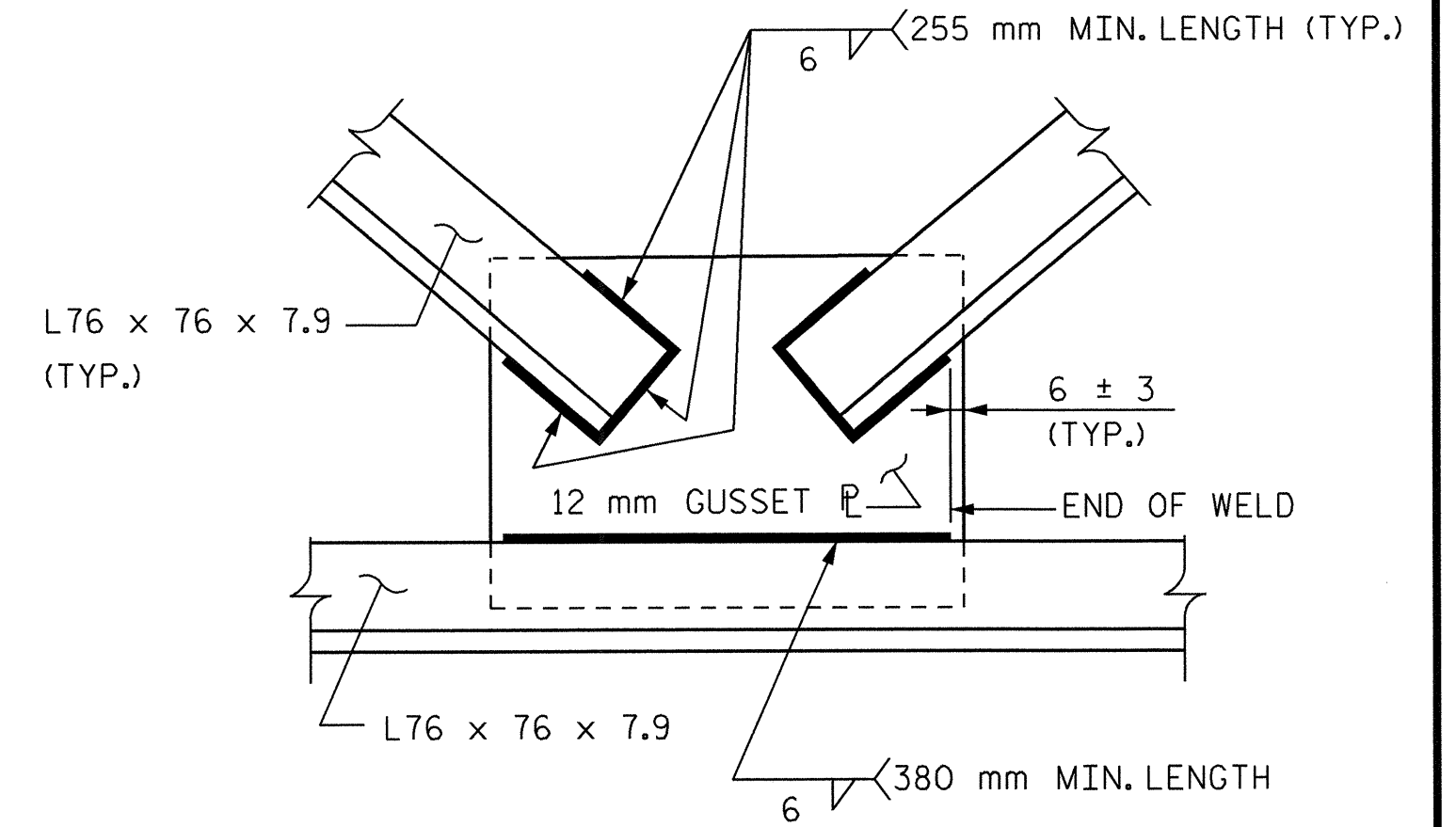
SHEAR STUD CONNECTORS



CONNECTOR OR STIFFENER PLATE WELD CONNECTIONS

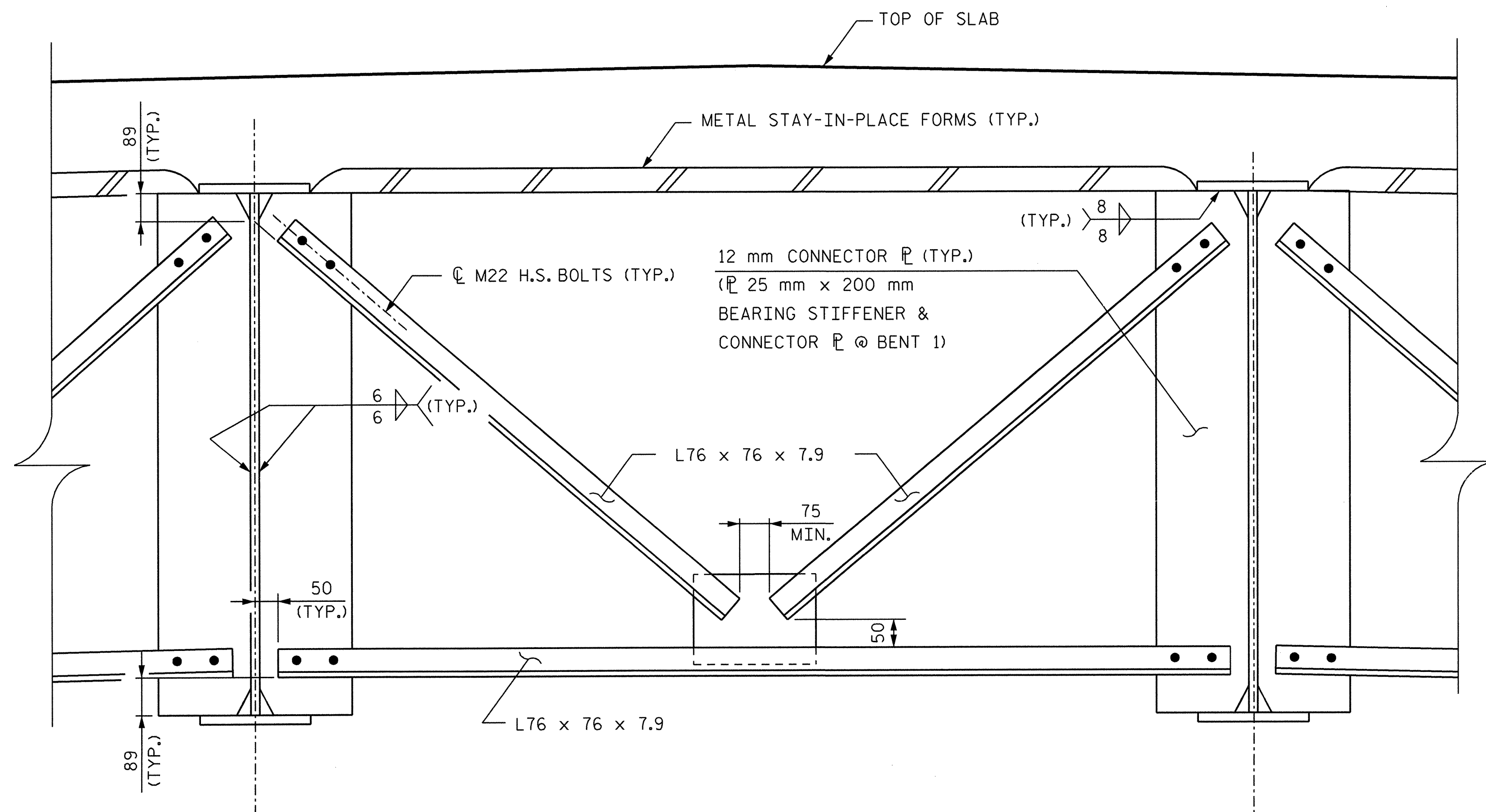


PLAN - FLANGE SPLICE

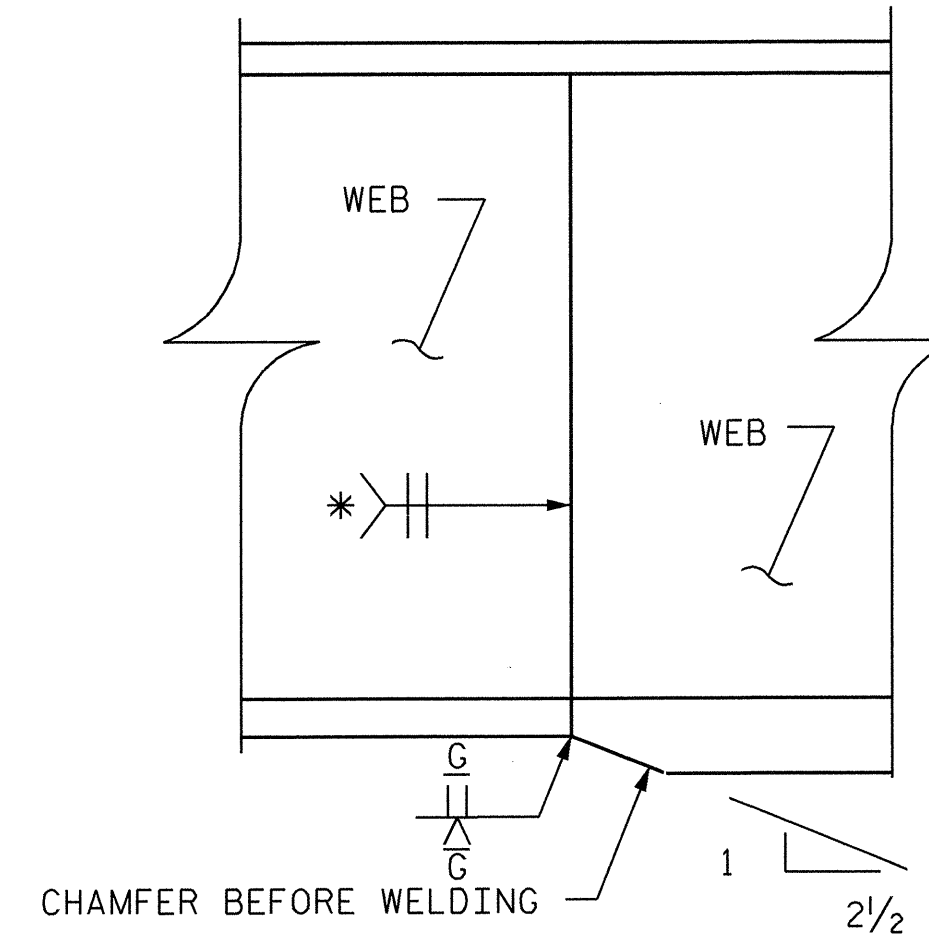


TYPICAL GUSSET PLATE AND ANGLE WELD CONNECTIONS

WELD TERMINATION DETAILS



TYPICAL INTERMEDIATE & BENT 1 DIAPHRAGM



ELEVATION OF GIRDER

\* GRIND SMOOTH AND FLUSH ON OUTER FACE OF EXTERIOR GIRDERS

PERMITTED SHOP SPLICE DETAILS

PROJECT NO. R-2552AA  
WAKE / JOHNSTON COUNTY  
 STATION: 27+61.028 -L- P.O.T.

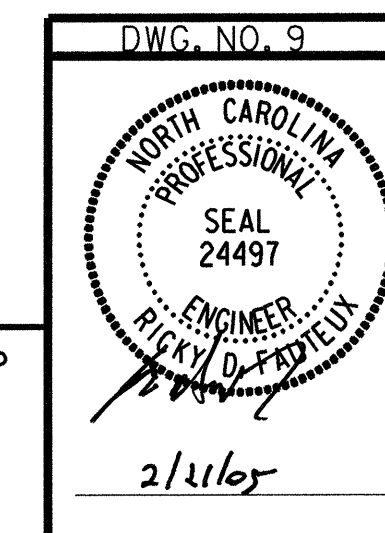
SHEET 2 OF 5

STATE OF NORTH CAROLINA  
 DEPARTMENT OF TRANSPORTATION  
 RALEIGH

**SUPERSTRUCTURE  
 GIRDER DETAILS**

JANUARY 2005

NO.		BY:		DATE:		NO.		BY:		DATE:		SHEET NO.	
1						3						5-236	TOTAL SHEETS
2						4						429	



**RUMMEL, KLEPPER & KAHL, LLP**  
 consulting engineers  
 5800 FARINGTON PLACE - SUITE 105  
 RALEIGH, NORTH CAROLINA 27609-3960

G:\COMMONS\304046\BRIDGE\STIFFES\DCN\FINAL\ R2552AA\_SD\_SS2\_05.DGN

DRAWN BY: B. PARRISH DATE: 01/05  
 CHECKED BY: R. D. FAUTEUX DATE: 01/05