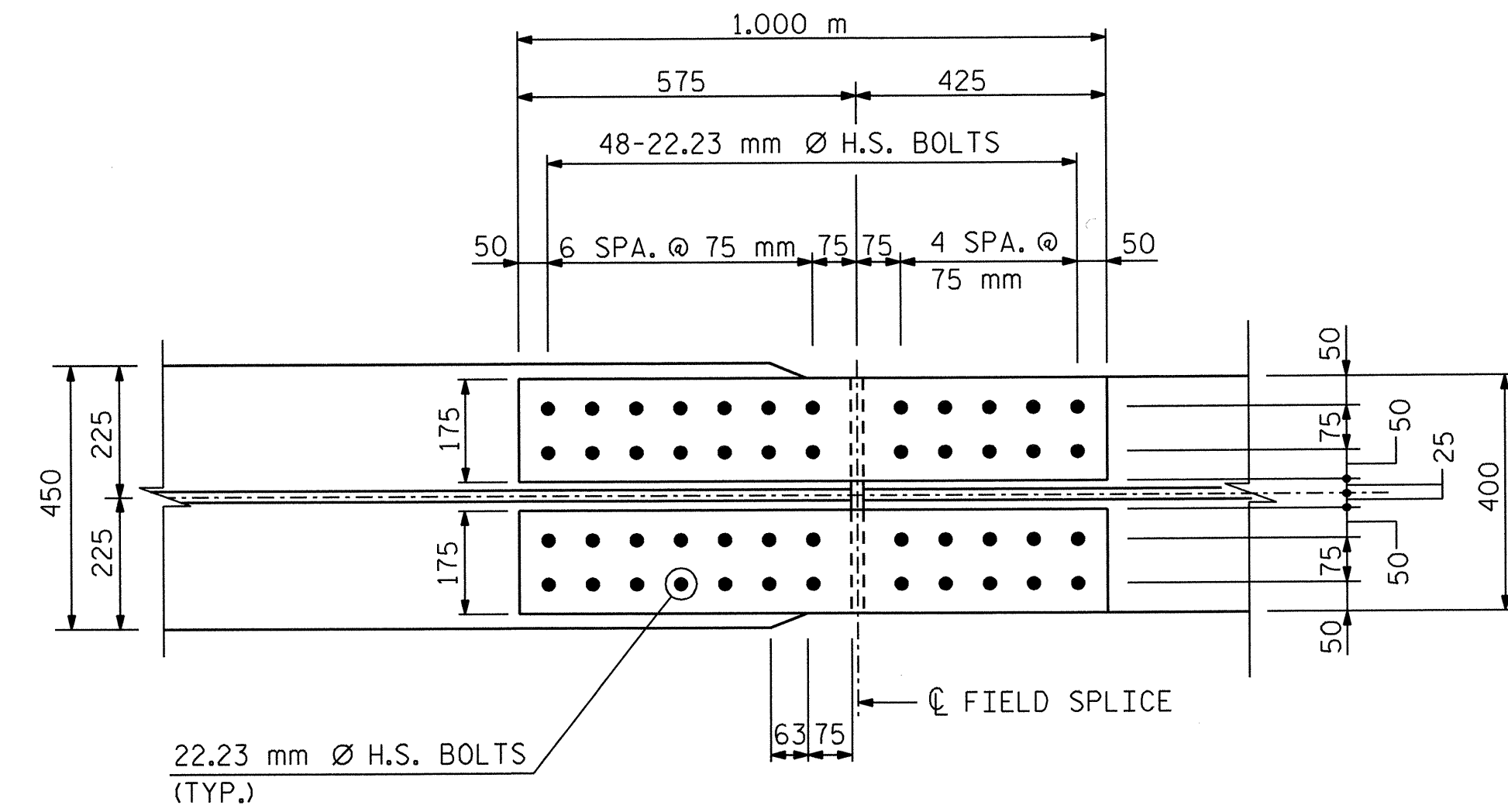
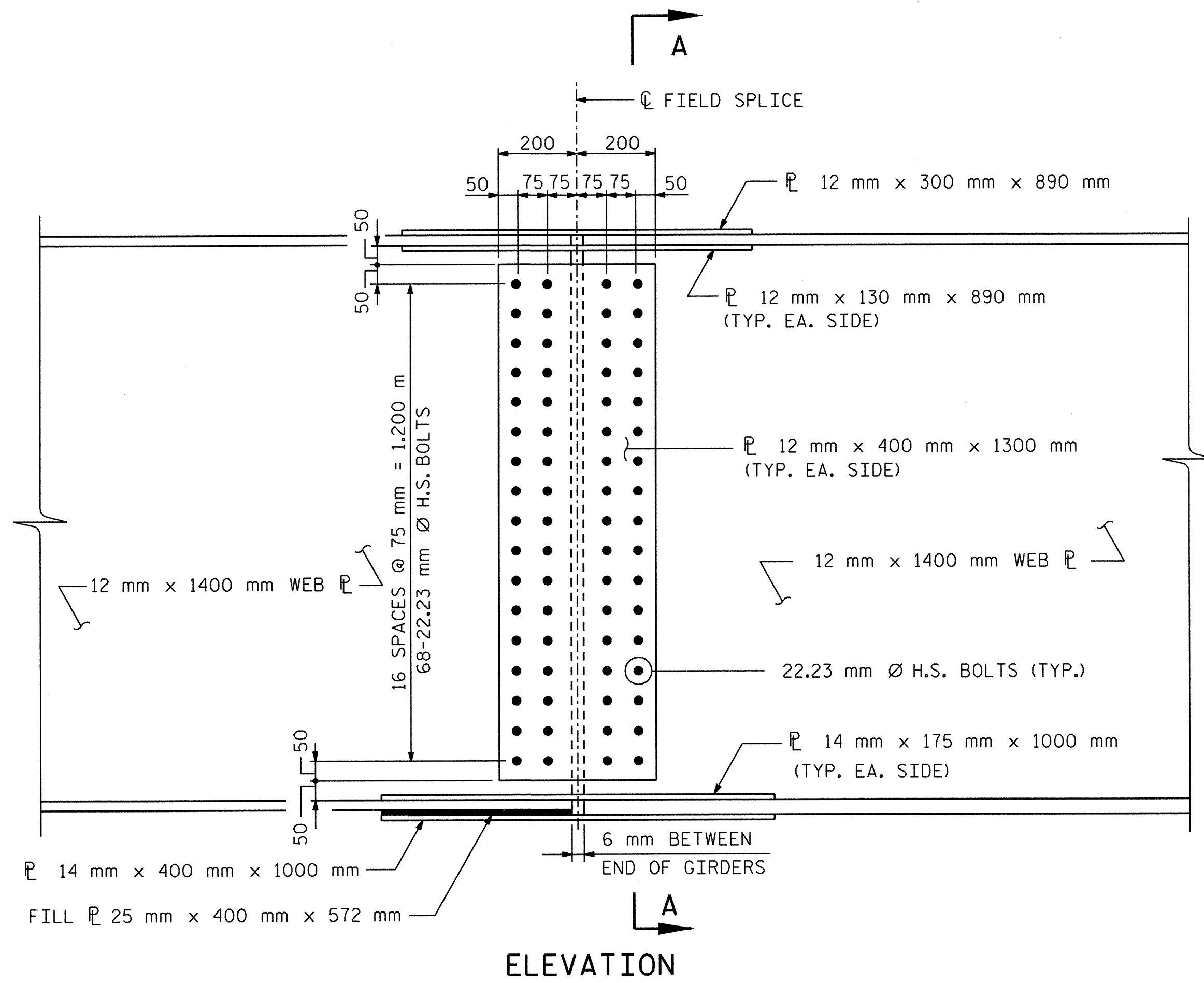


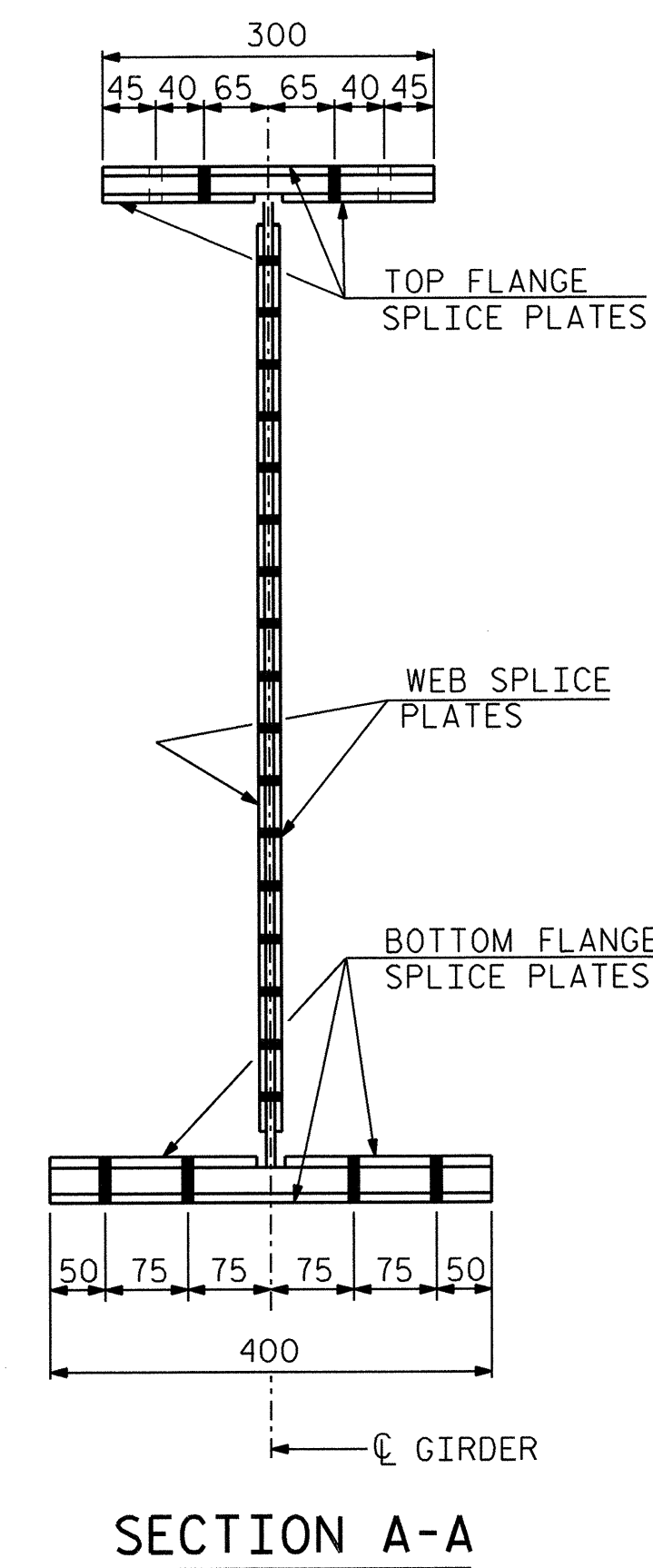
PLAN OF TOP FLANGE
(TOP VIEW SHOWN)



PLAN OF BOTTOM FLANGE
(TOP VIEW SHOWN)



ELEVATION



SECTION A-A

FIELD SPLICE DETAIL - SPAN B

PROJECT NO. R-2552AA
WAKE / JOHNSTON COUNTY
 STATION: 27+61.028 -L- P.O.T.

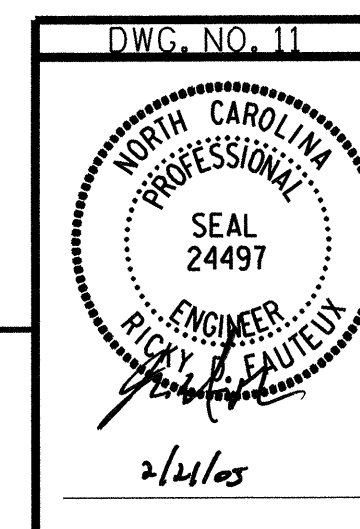
SHEET 4 OF 5

STATE OF NORTH CAROLINA
 DEPARTMENT OF TRANSPORTATION
 RALEIGH

**SUPERSTRUCTURE
 GIRDER DETAILS**

JANUARY 2005

NO.		BY:		DATE:		NO.		BY:		DATE:		TOTAL SHEETS
1						3						5-236
2						4						429



RUMMEL, KLEPPER & KAHL, LLP
 consulting engineers
 5800 FARINGDON PLACE, SUITE 105
 RALEIGH, NORTH CAROLINA 27609-3960

G:\COMMONS\304046\BRIDGE\SITES\DGN\FINAL\R2552AA_SD_SS3_05.DGN

DRAWN BY: B. PARRISH DATE: 01/05
 CHECKED BY: R. D. FAUTEUX DATE: 01/05