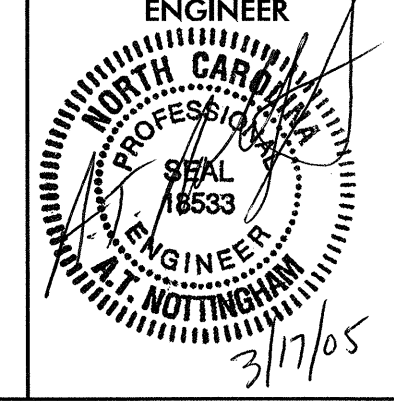
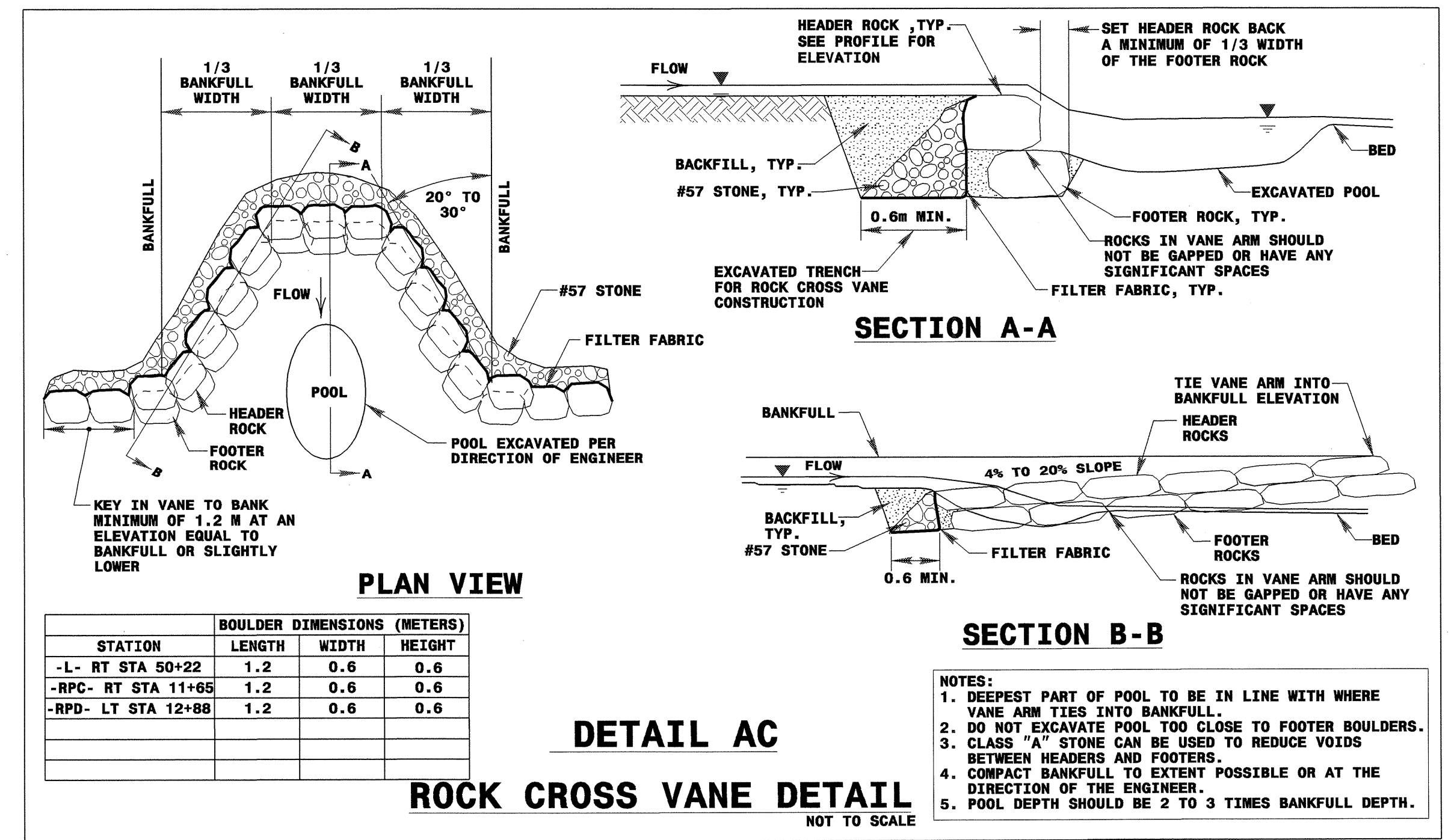
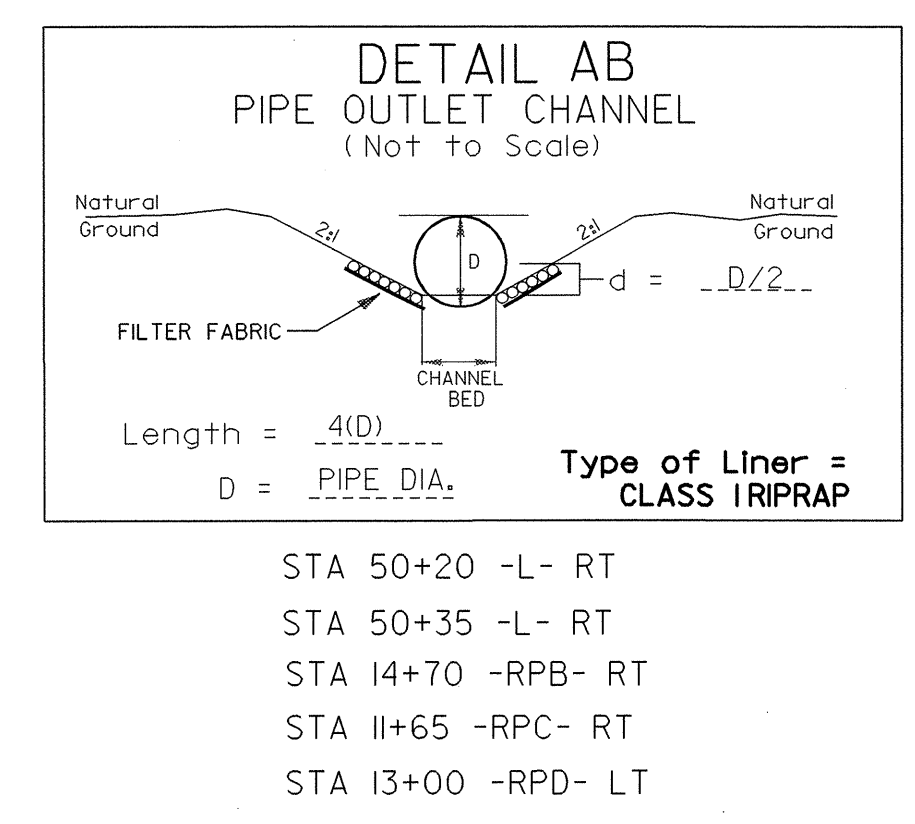
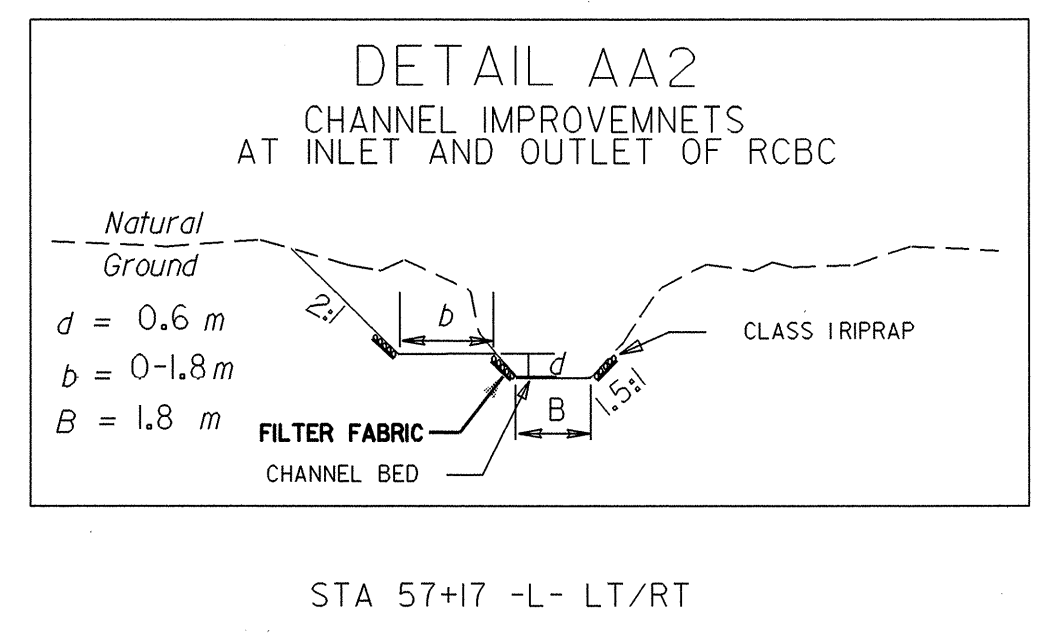
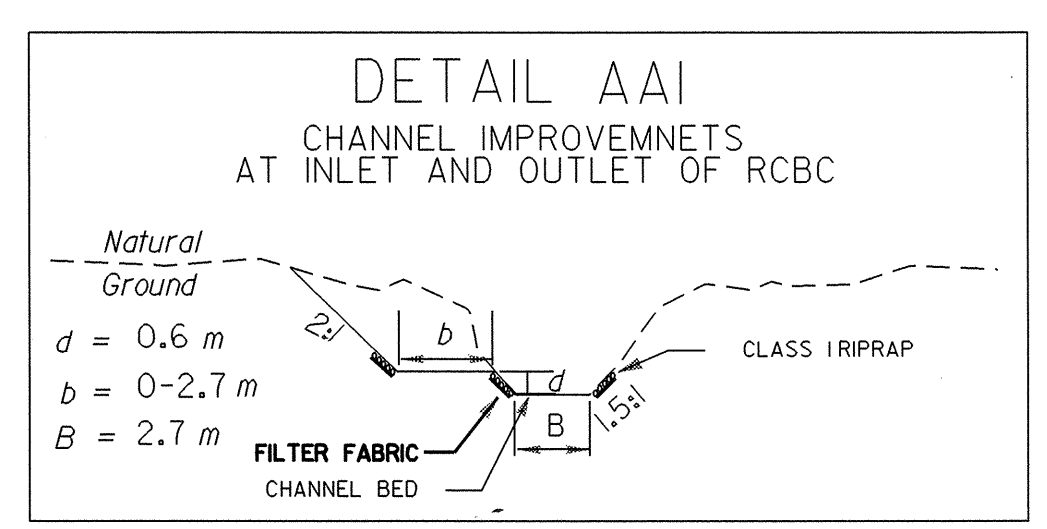
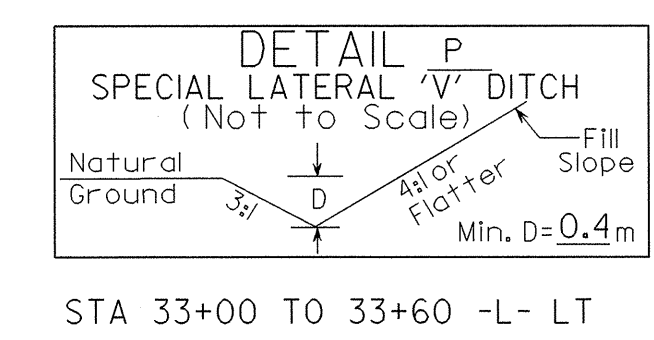
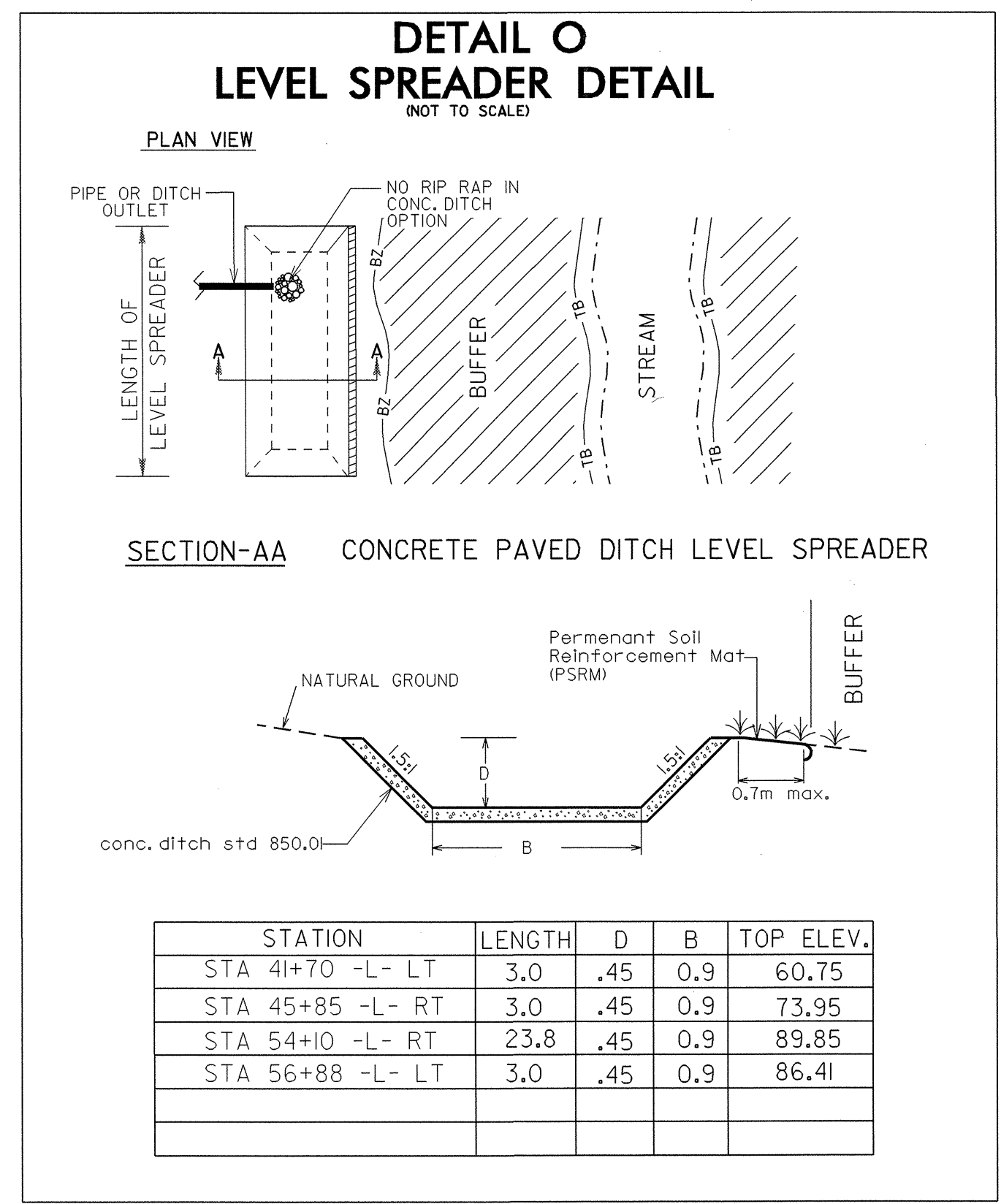
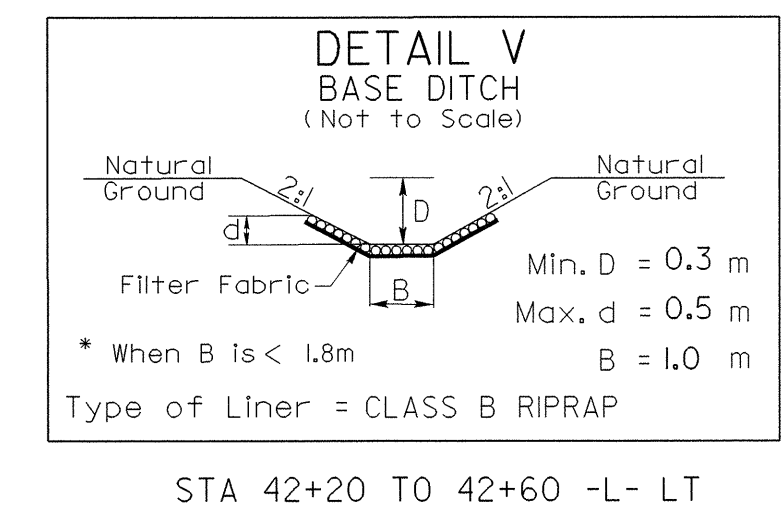
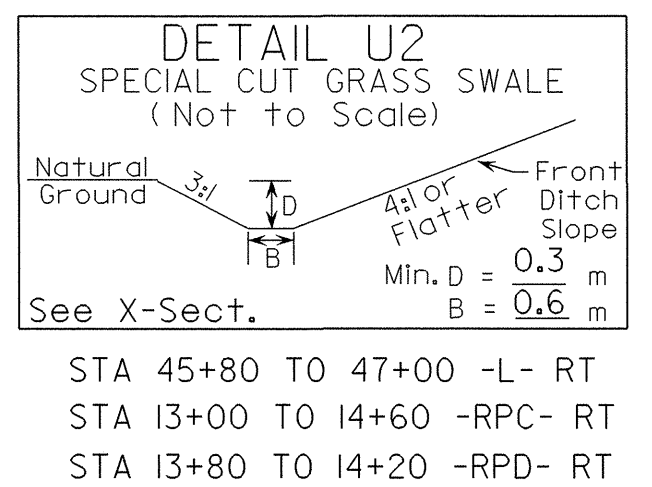
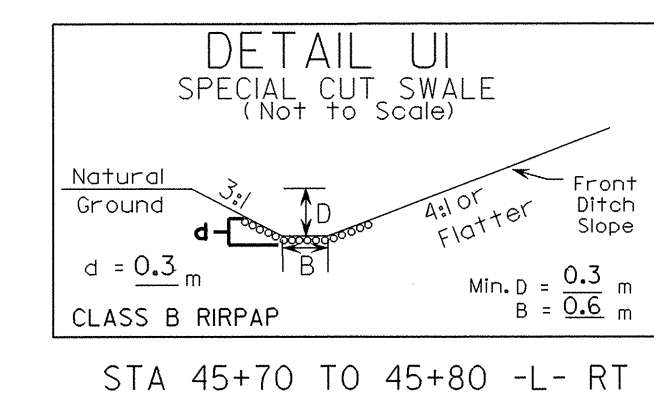
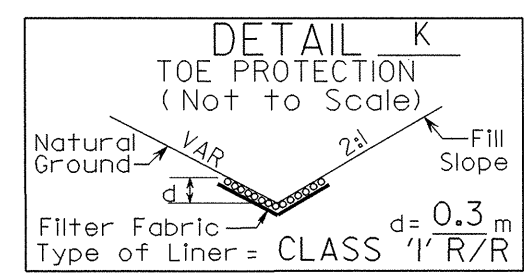
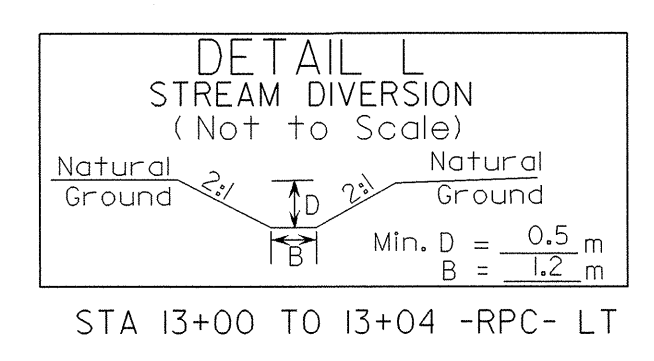
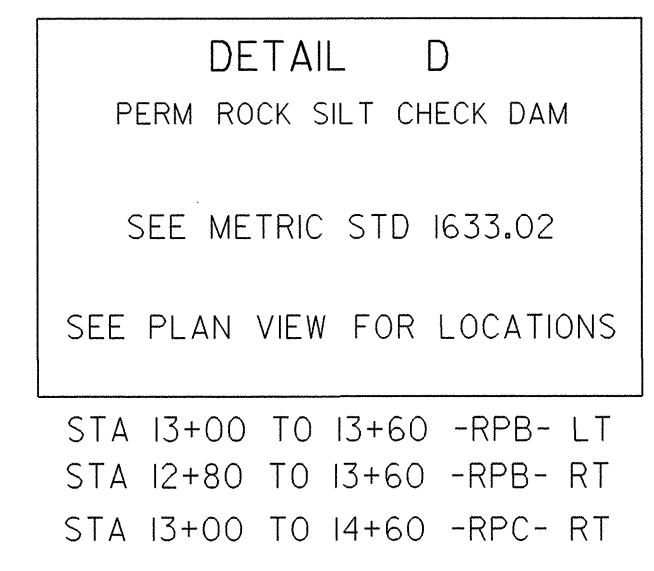
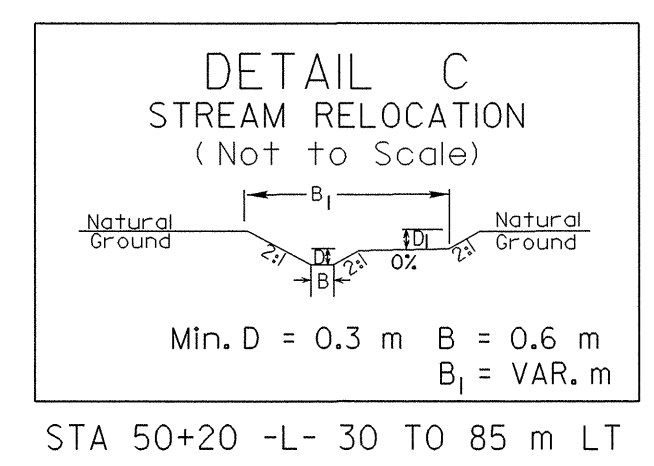
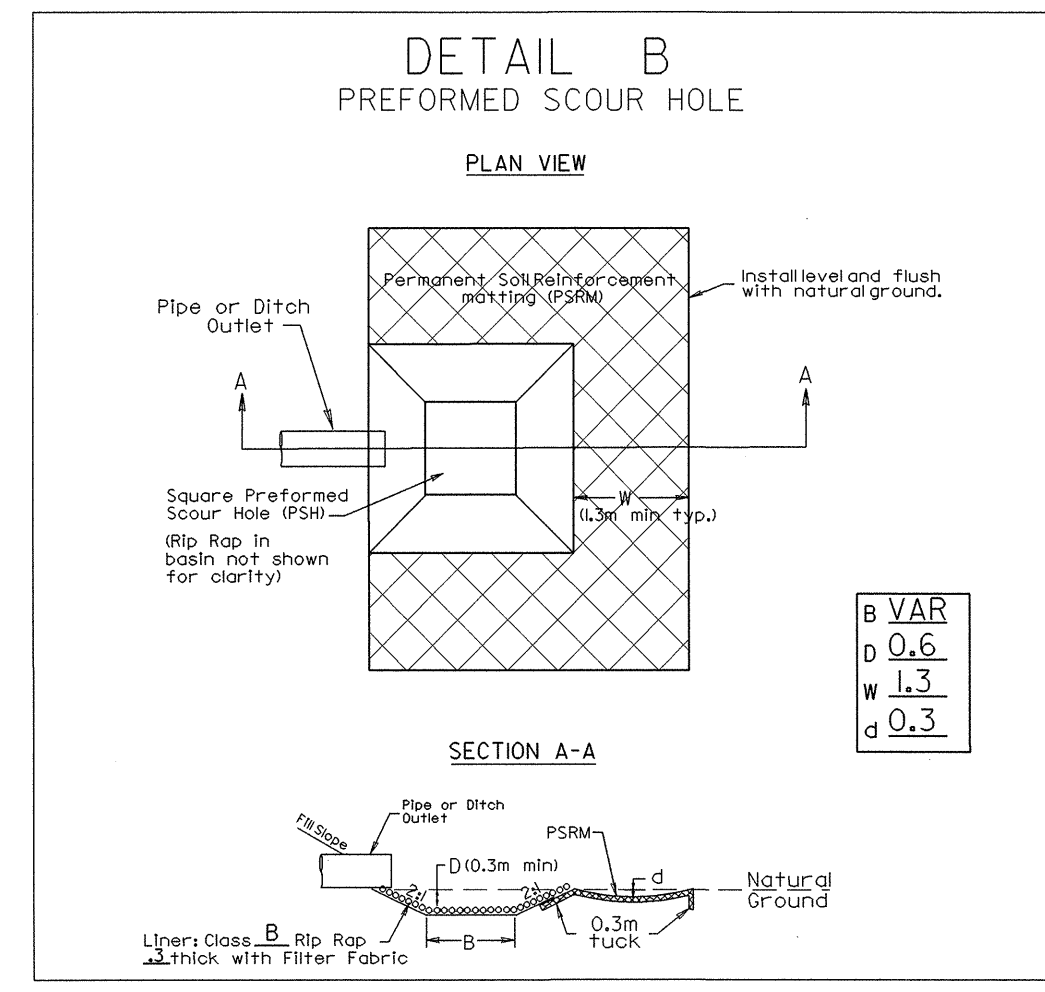
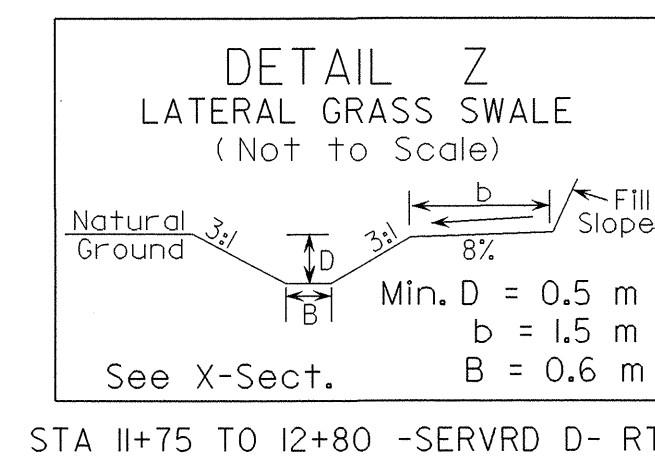
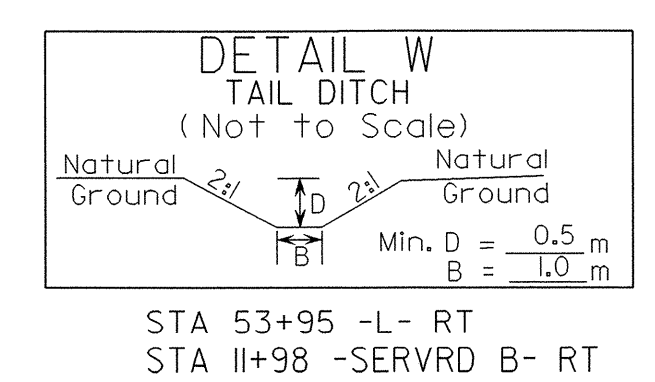
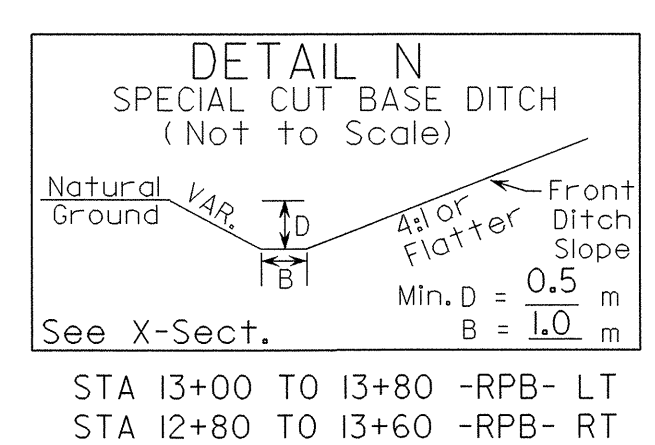
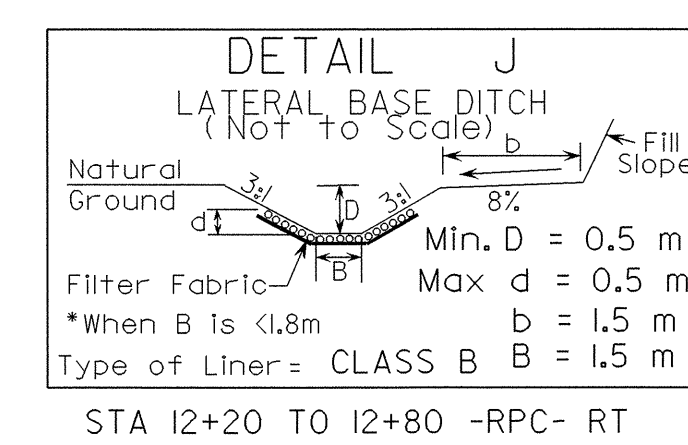
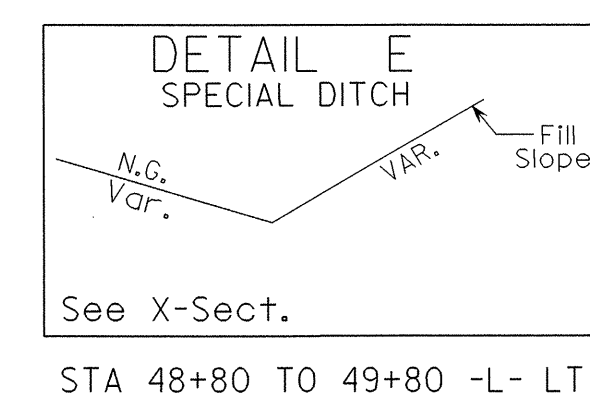
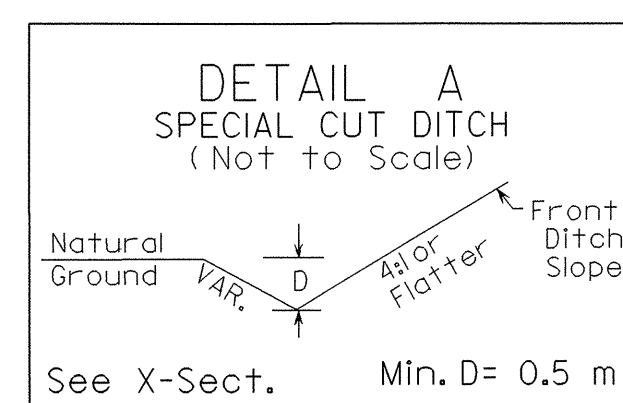




PROJECT REFERENCE NO. R-2552AB	SHEET NO. 2-D
R/W SHEET NO.	
ROADWAY DESIGN ENGINEER	HYDRAULICS ENGINEER



NOTE:  
SEE SHEETS 4 THRU 15 FOR DESIGN  
SEE SHEETS 16 THRU 33 FOR PROFILES



17-MAR-2005 09:43:23  
 C:\p02\p023333\p023333.dgn  
 18:02:33