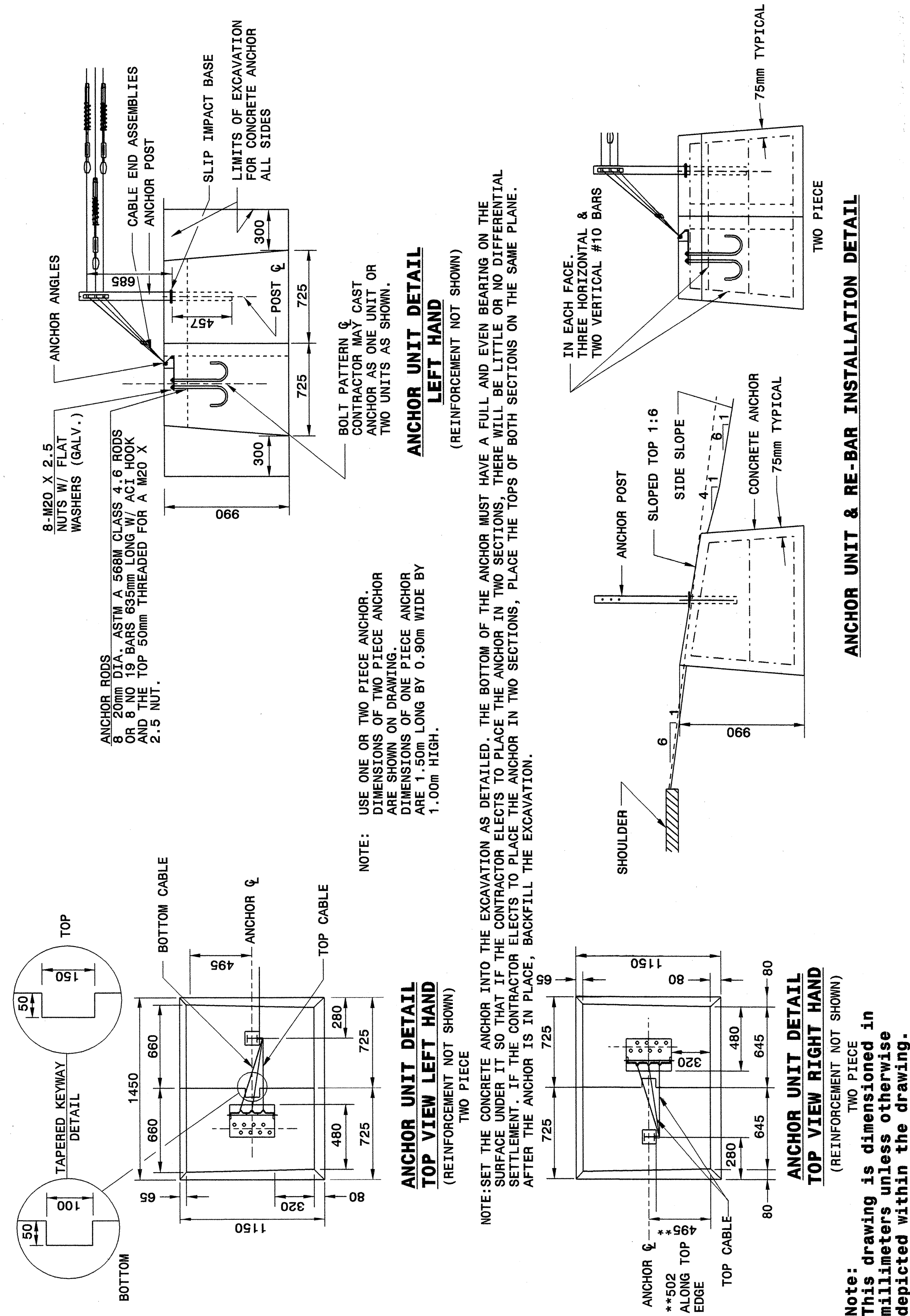




STATE OF NORTH CAROLINA DEPT. OF TRANSPORTATION DIVISION OF HIGHWAYS RALEIGH, N.C.

METRIC DETAIL DRAWING FOR ANCHOR DETAILS

SHEET 9 OF 11 865D01



STATE OF NORTH CAROLINA DEPT. OF TRANSPORTATION DIVISION OF HIGHWAYS RALEIGH, N.C.

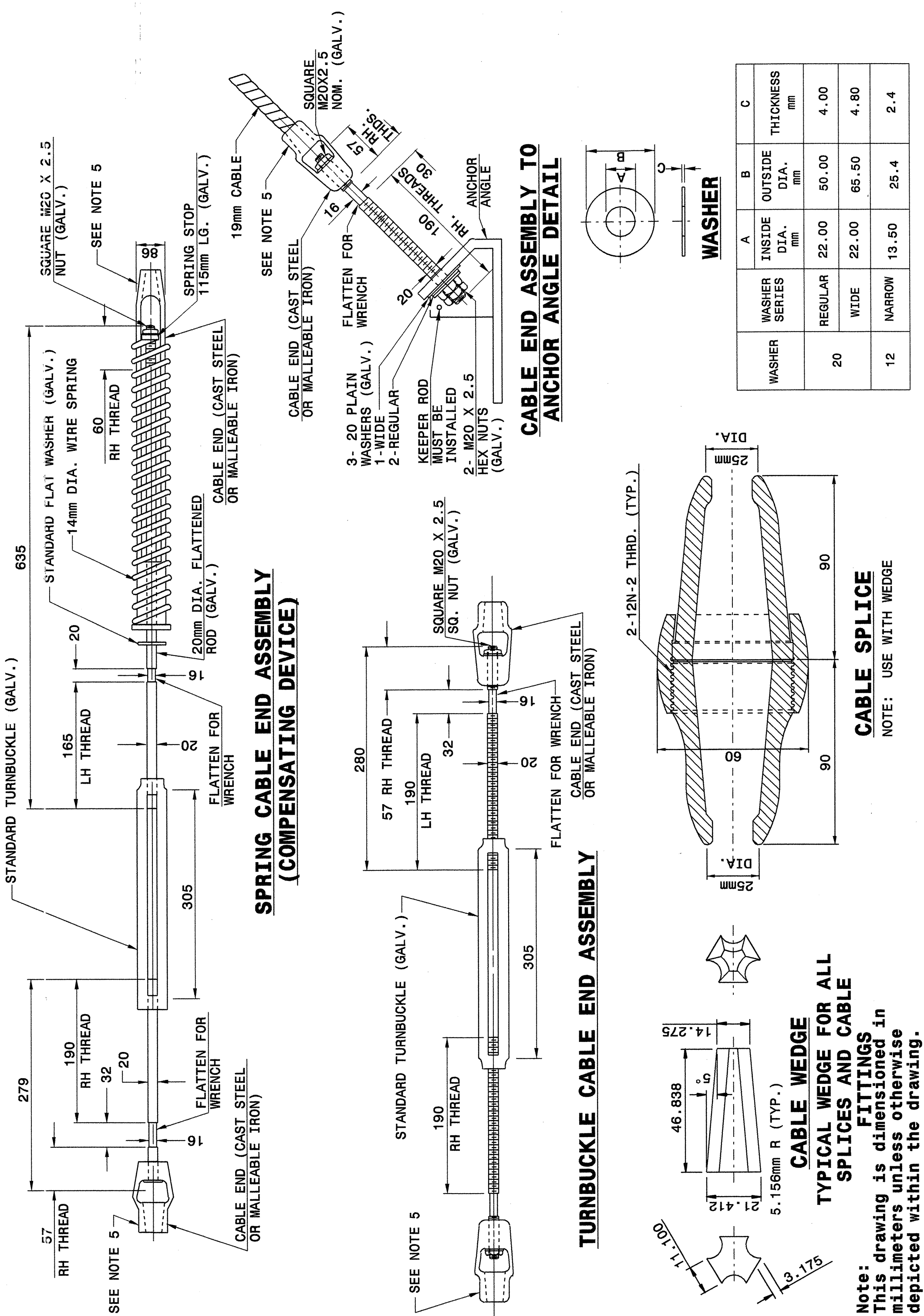
METRIC DETAIL DRAWING FOR CABLE GUIDERAIL ANCHOR DETAILS

SHEET 9 OF 11 865D01

STATE OF NORTH CAROLINA DEPT. OF TRANSPORTATION DIVISION OF HIGHWAYS RALEIGH, N.C.

METRIC DETAIL DRAWING FOR CABLE GUIDERAIL ANCHOR DETAILS

SHEET 10 OF 11 865D01



STATE OF NORTH CAROLINA DEPT. OF TRANSPORTATION DIVISION OF HIGHWAYS RALEIGH, N.C.

METRIC DETAIL DRAWING FOR CABLE GUIDERAIL ANCHOR DETAILS

SHEET 10 OF 11 865D01

DESIGN SERVICES UNIT
STANDARDS AND SPECIAL DESIGN
Office 919-250-4128 FAX 919-250-4119

SEE PLATE FOR TITLE

ORIGINAL BY: 2002 STANDARDS DATE: 1-15-02
 MODIFIED BY: E.E. WARD DATE: 4-07-04
 CHECKED BY: O.B. WARD DATE: 4-14-04
 FILE SPEC.: \\usr\std\02stds\6\details\metric\86501\0865d01.dgn

I:\APR-2004_08h5\W:\Special_Details\metric\86501\0865d01.mxd