

6/09/09



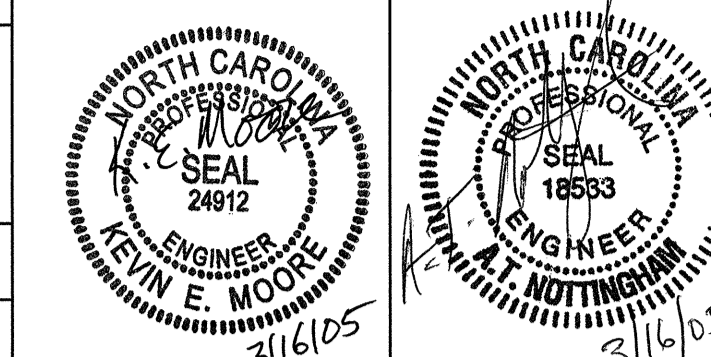
PROJECT REFERENCE NO. R-2552AB SHEET NO. 28

ROADWAY DESIGN ENGINEER HYDRAULICS ENGINEER



CONST. REV.

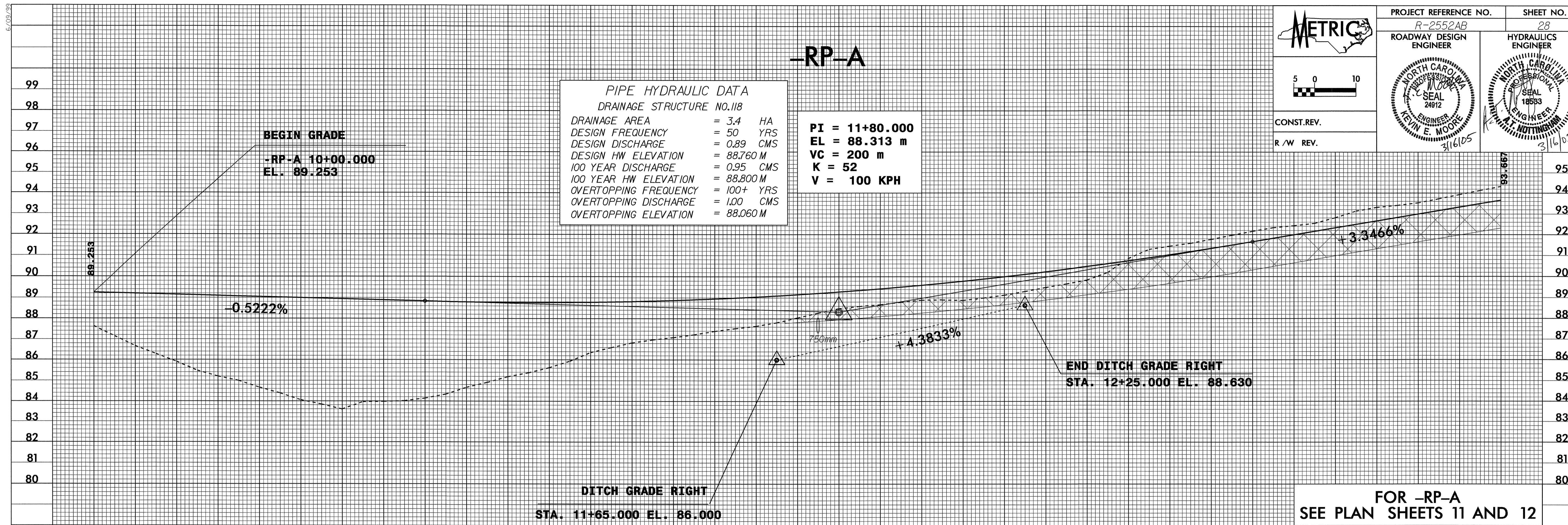
R / W REV.



-RP-A

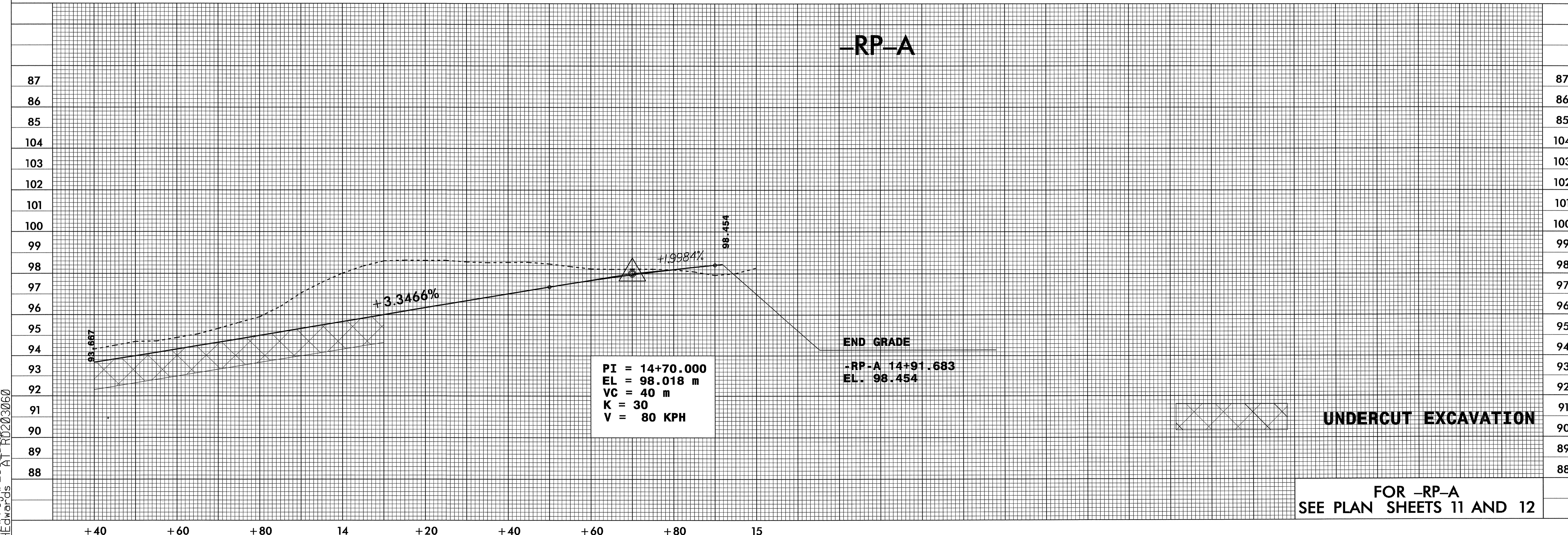
PIPE HYDRAULIC DATA
 DRAINAGE STRUCTURE NO.118
 DRAINAGE AREA = 3.4 HA
 DESIGN FREQUENCY = 50 YRS
 DESIGN DISCHARGE = 0.89 CMS
 DESIGN HW ELEVATION = 88.760 M
 100 YEAR DISCHARGE = 0.95 CMS
 100 YEAR HW ELEVATION = 88.800 M
 OVERTOPPING FREQUENCY = 100+ YRS
 OVERTOPPING DISCHARGE = 1.00 CMS
 OVERTOPPING ELEVATION = 88.060 M

PI = 11+80.000
 EL = 88.313 m
 VC = 200 m
 K = 52
 V = 100 KPH



FOR -RP-A
 SEE PLAN SHEETS 11 AND 12

-RP-A



PI = 14+70.000
 EL = 98.018 m
 VC = 40 m
 K = 30
 V = 80 KPH

-RP-A 14+91.683
 EL. 98.454

UNDERCUT EXCAVATION

FOR -RP-A
 SEE PLAN SHEETS 11 AND 12

13-JAN-2005 11:07
 R:\Proj\2552\p\pf1
 Edwards At R0203060