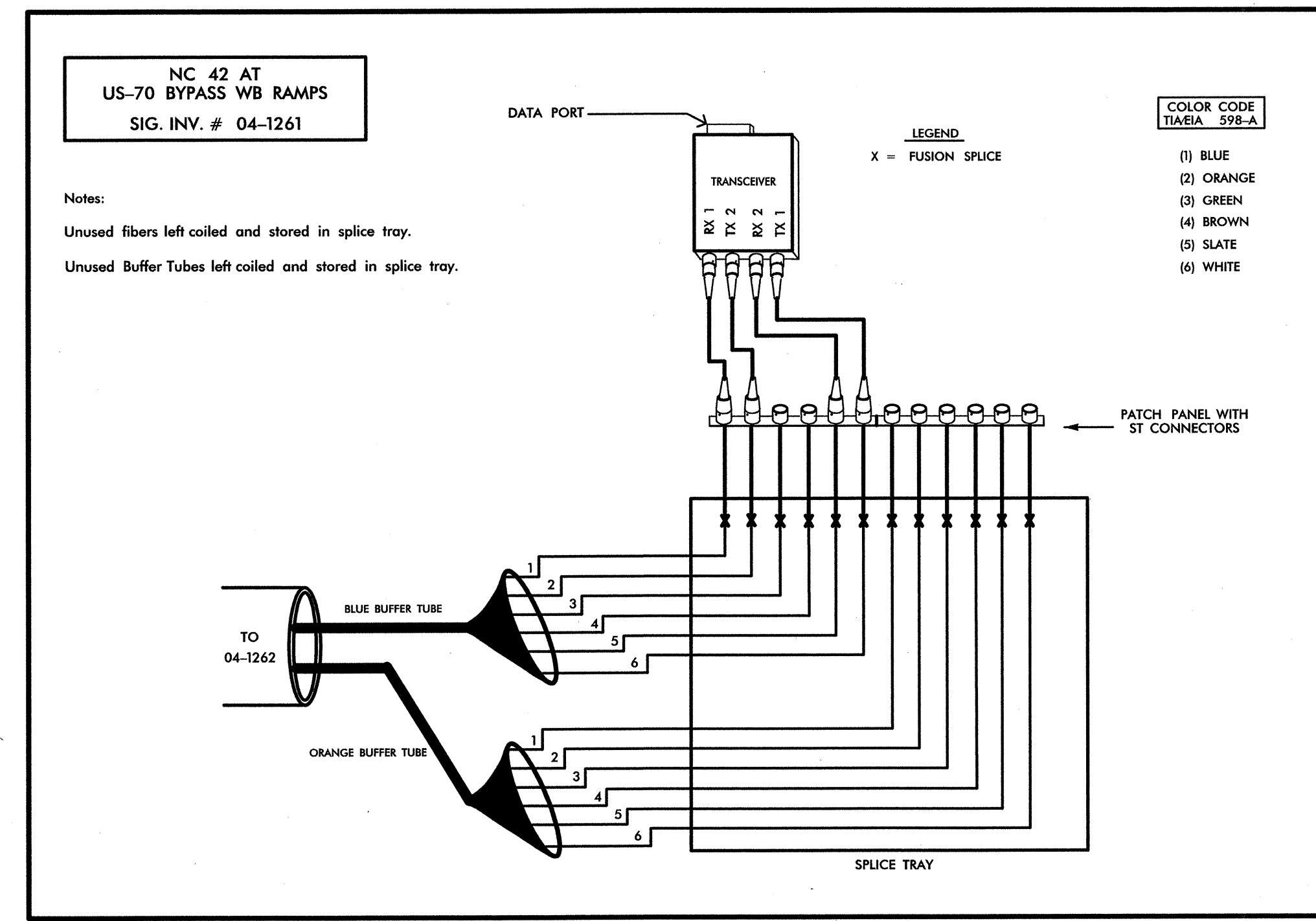
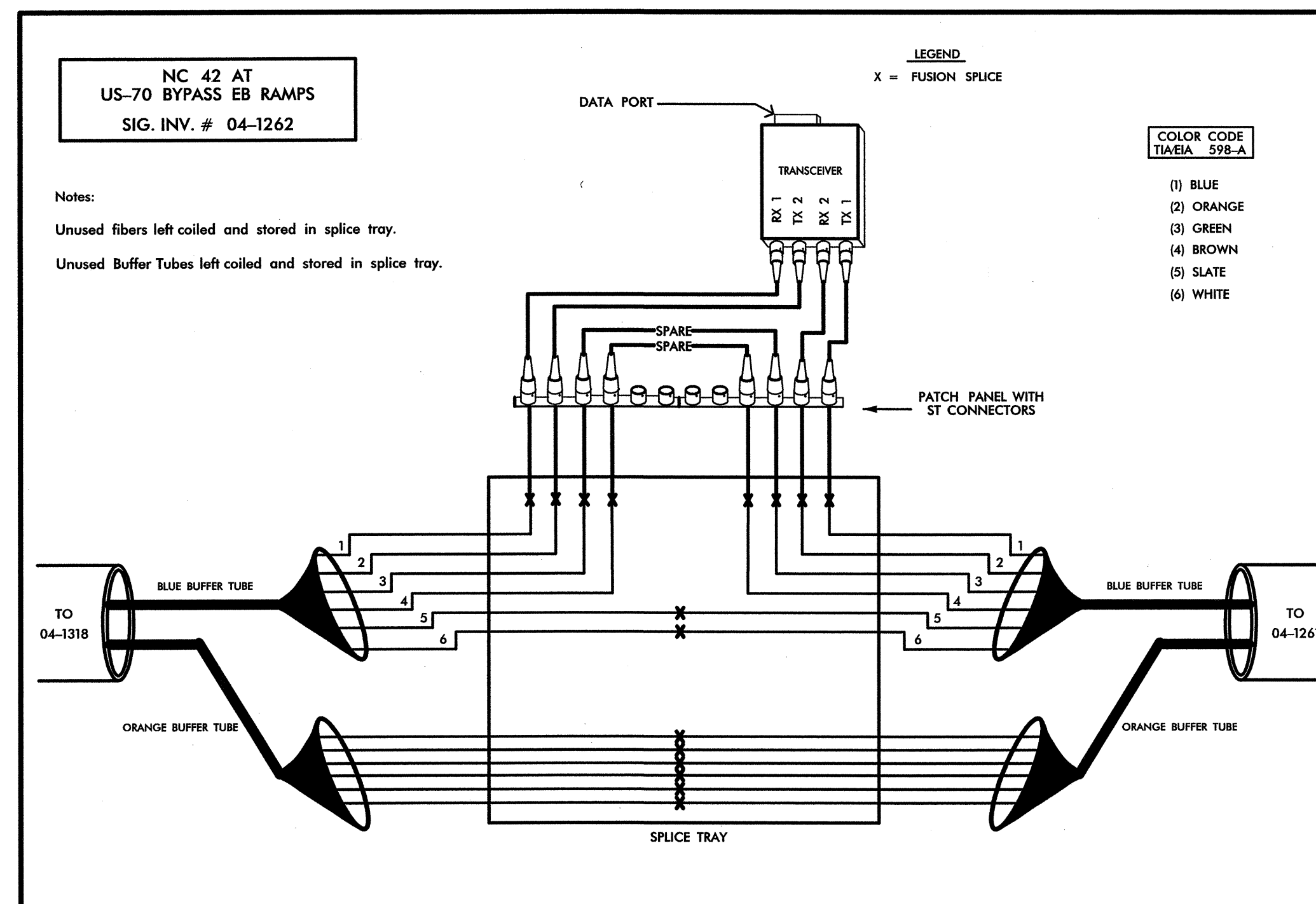
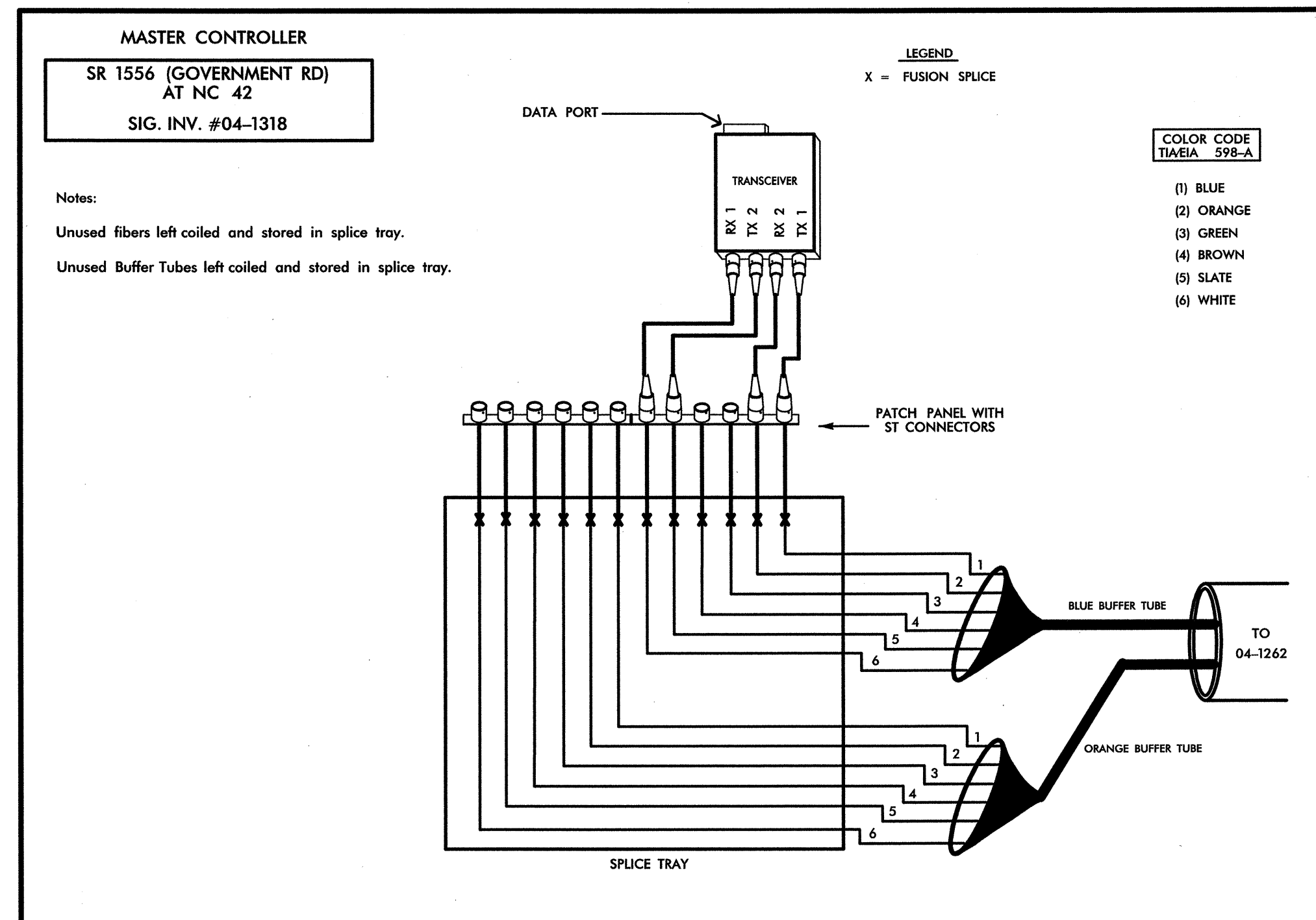


# FIBER OPTIC CABLE

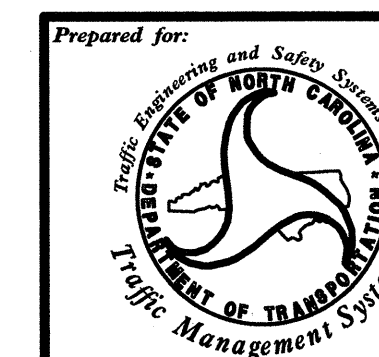


NOTE:  
FURNISH SELF-HEALING RING TYPE TRANSCEIVERS.

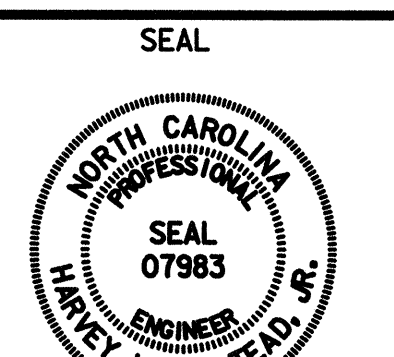
TRANSCEIVER TERMINATION CONFIGURATIONS ARE GENERIC.  
CONTRACTOR IS RESPONSIBLE FOR DETERMINING/ENSURING  
THE PROPER TERMINATIONS.



HNTB NORTH CAROLINA, P.C.  
343 E. Six Forks Road, Suite 200  
Raleigh, North Carolina 27609



Prepared for:		Division 04 Johnston County S of Clayton	
PLAN DATE:	November 2004	REVIEWED BY:	S.T. Franklin
PREPARED BY:	T.R. Terrell	REVIEWED BY:	H.L. Winstead
SCALE	REVISIONS	INIT.	DATE
NONE			



SIGNATURE: H.L. Winstead  
DATE: 1/31/05  
CADD FILE NAME: SPLICE.DGN