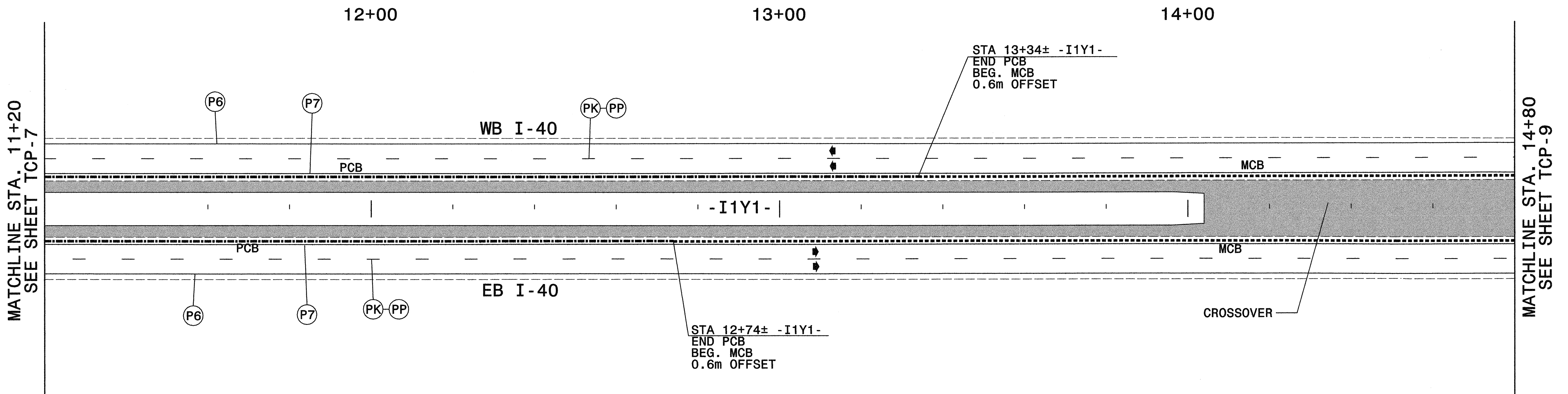
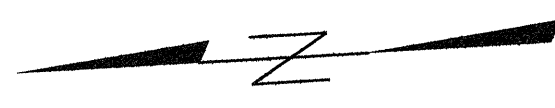




Plans prepared by:
KO & ASSOCIATES, P.C.
 Consulting Engineers
 101 SCHEUB DR., SUITE #202
 RALEIGH, N.C. 27606
 For Division of Highways



MATCHLINE STA. 11+20
SEE SHEET TCP-7

MATCHLINE STA. 14+80
SEE SHEET TCP-9

9 FILES \$
3 DATES \$

APPROVED: <i>Michael T. Repp</i> DATE: 1/31/05	PHASE 1, STEP 3 DETAIL	
	SCALE: NONE	
	DATE: 1-05	
	DWG. BY: MTR	
	DESIGN BY: MTR	
REVIEWED BY: MSA	REVISIONS	