

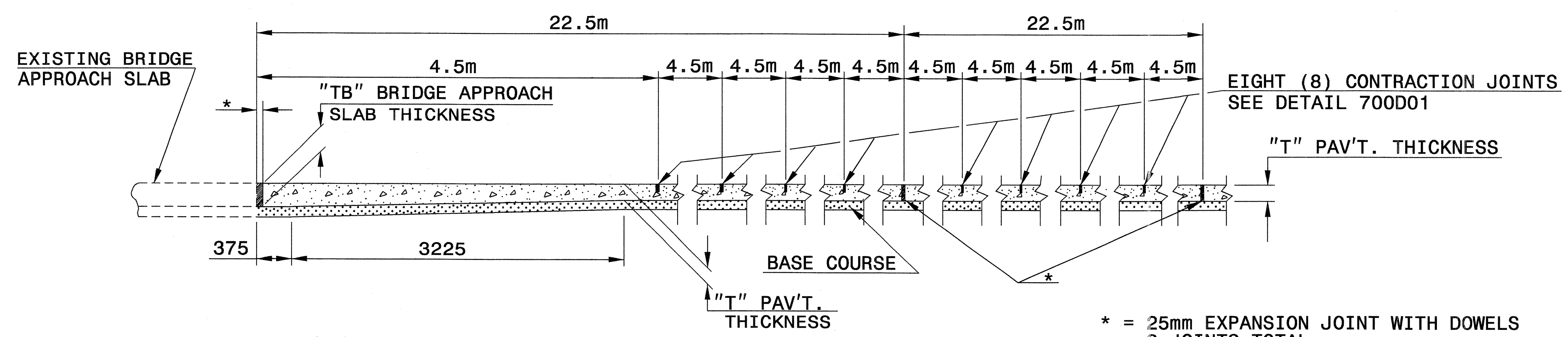


STATE OF NORTH CAROLINA
DEPT. OF TRANSPORTATION
DIVISION OF HIGHWAYS
RALEIGH, N.C.

STATE OF NORTH CAROLINA
DEPT. OF TRANSPORTATION
DIVISION OF HIGHWAYS
RALEIGH, N.C.

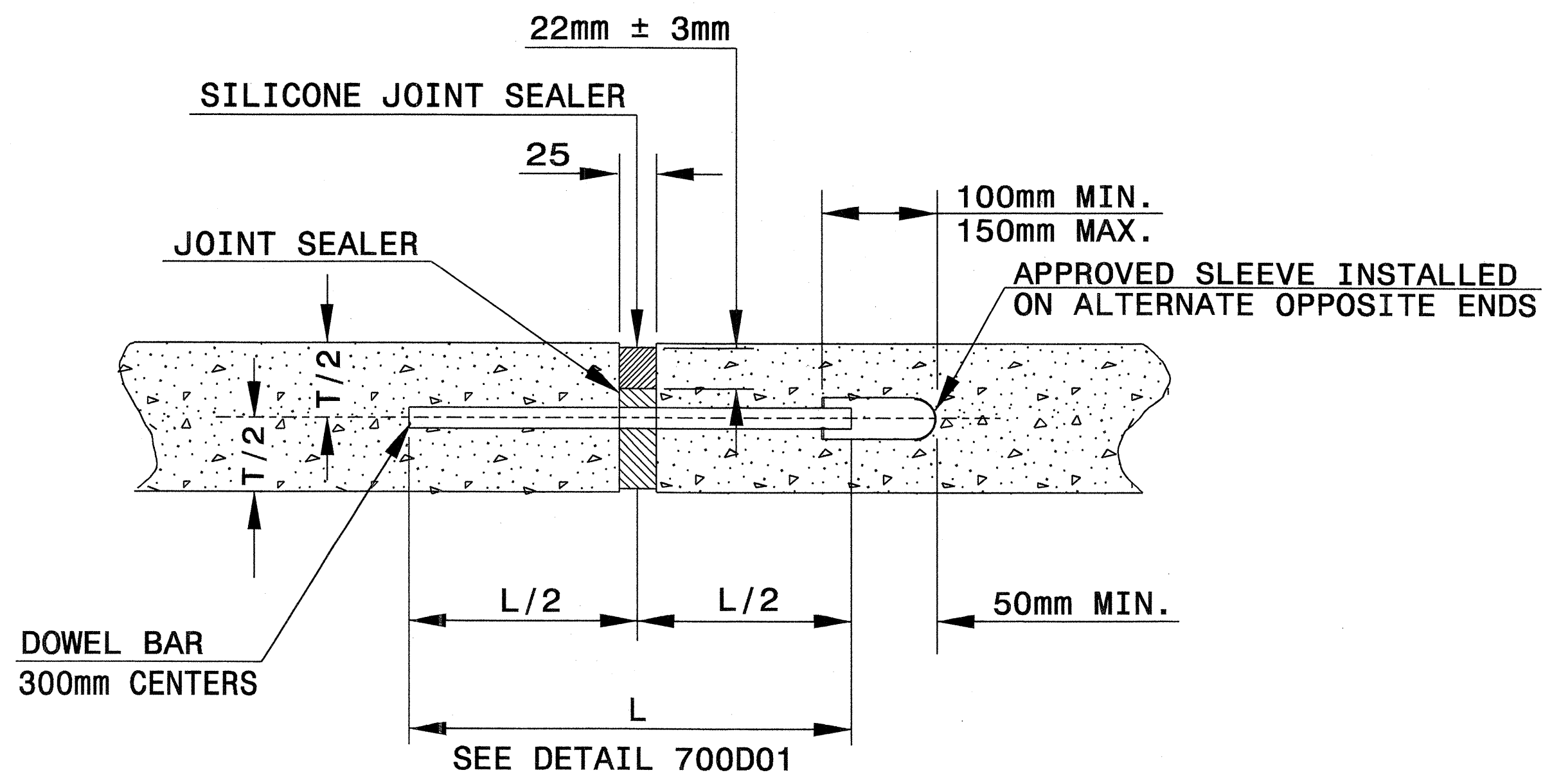
METRIC DETAIL DRAWING FOR
EXPANSION JOINT LAYOUT
FOR RIGID DOWELED PAVEMENT AT BRIDGES

METRIC DETAIL DRAWING FOR
EXPANSION JOINT LAYOUT
FOR RIGID DOWELED PAVEMENT AT BRIDGES



SECTION THRU JOINT LAYOUT

* = 25mm EXPANSION JOINT WITH DOWELS
3 JOINTS TOTAL



EXPANSION JOINT DETAIL

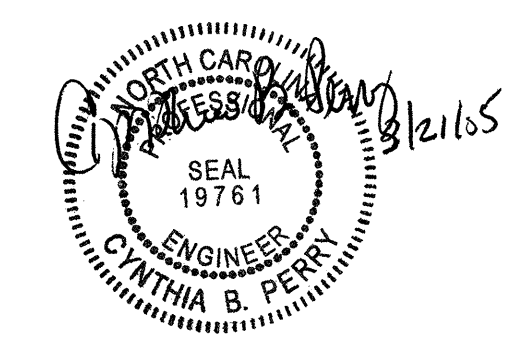
- GENERAL NOTES:**
- USE AN APPROVED TYPE OF DOWEL ASSEMBLY IN ALL TRANSVERSE EXPANSION JOINTS.
 - USE RIGID CONSTRUCTED DOWEL ASSEMBLY, CAPABLE OF HOLDING THE DOWEL BARS IN PROPER POSITION DURING PLACEMENT OF THE CONCRETE AND DESIGNED TO PERMIT UNRESTRICTED MOVEMENT OF THE PAVEMENT SLAB. SEE DETAIL 700D03 FOR DOWEL ASSEMBLY.
 - EXTEND EXPANSION JOINT ADJACENT TO THE APPROACH SLAB ACROSS THE ENTIRE PAVEMENT WIDTH INCLUDING THE PAVED SHOULDERS.
 - SEE DETAIL 700D01 FOR TOLERANCE AND BAR SIZE.

Note:
This drawing is dimensioned in millimeters unless otherwise depicted within the drawing.

SHEET 1 OF 1
700D02

SHEET 1 OF 1
700D02

28-OCT-2004 15:37 C:\Special Details\standards\stds\02\stds to Special Details\metric\70002\0700d02m.dgn erickward AT 05212260



**PROJECT SERVICES UNIT
STANDARDS AND SPECIAL DESIGN**
Office 919-250-4128 FAX 919-250-4119

SEE PLATE FOR TITLE

ORIGINAL BY: 2002 STANDARDS DATE: 01-15-02
 MODIFIED BY: E.E. WARD DATE: 09-09-04
 CHECKED BY: [Signature] DATE: 11/12/04
 FILE SPEC.: stds/02stdstodetails/metric/700d02.dgn