

5/14/99



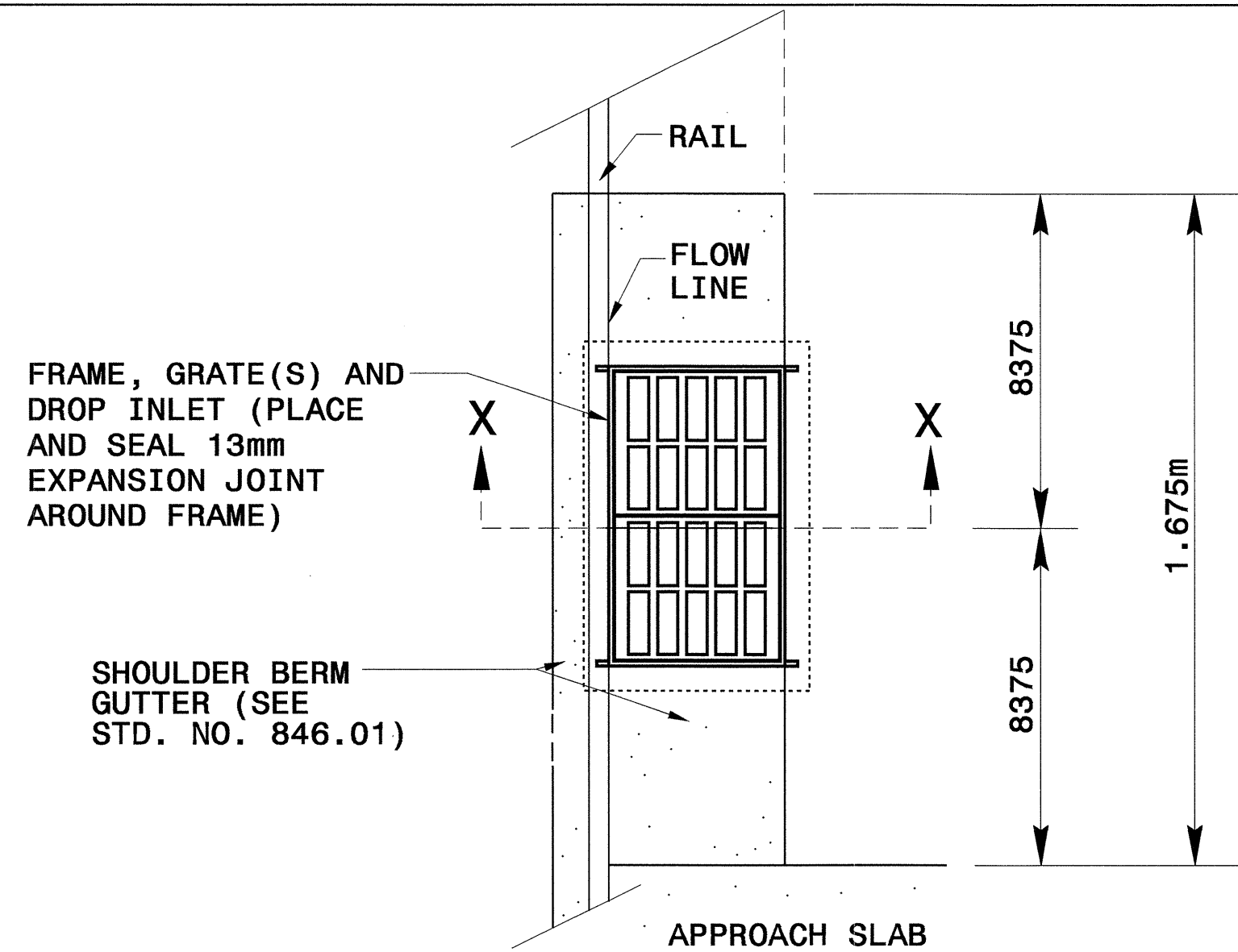
STATE OF
NORTH CAROLINA
DEPT. OF TRANSPORTATION
DIVISION OF HIGHWAYS
RALEIGH, N.C.

1-02

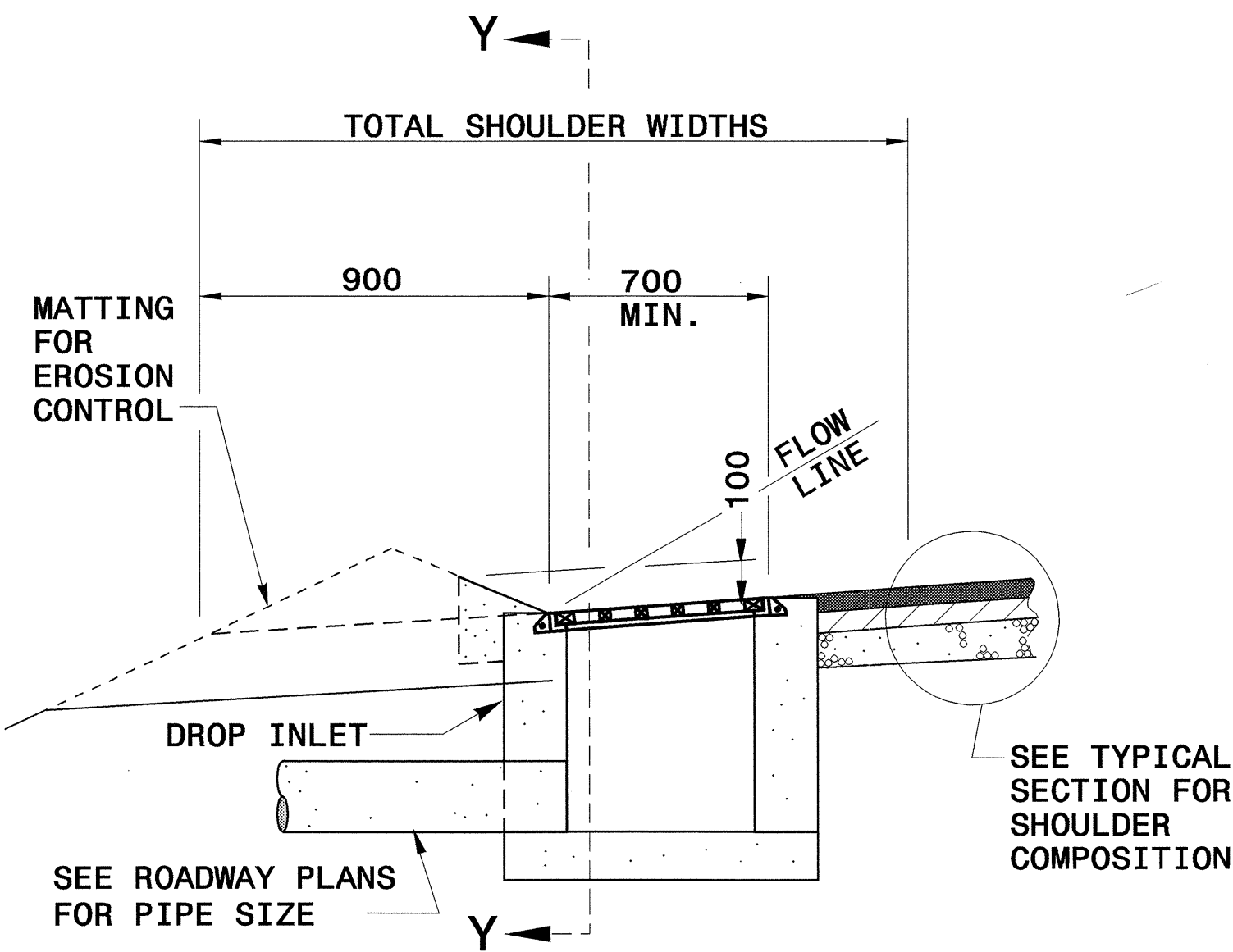
METRIC STANDARD DRAWING FOR
**DRAINAGE INSTALLATION IN
SHOULDER BERM GUTTER**
FRAME, GRATES AND DROP INLET

SHEET 1 OF 1

820D04

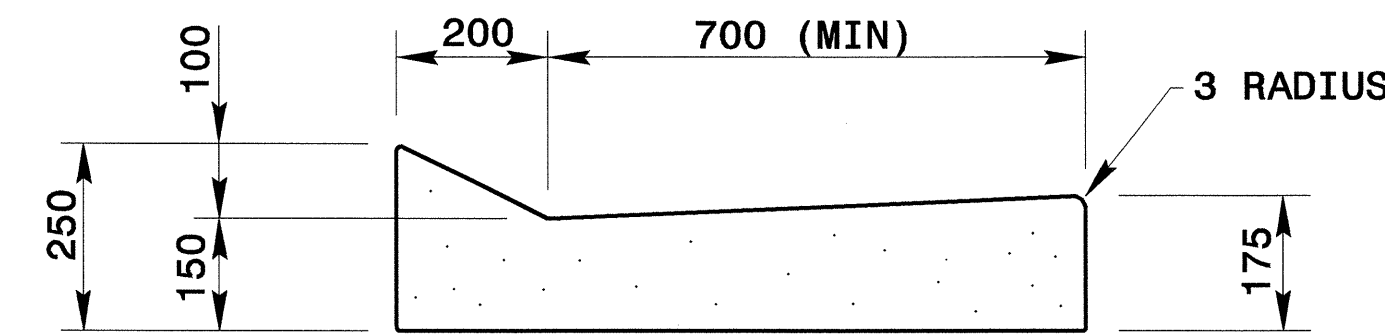


PLAN

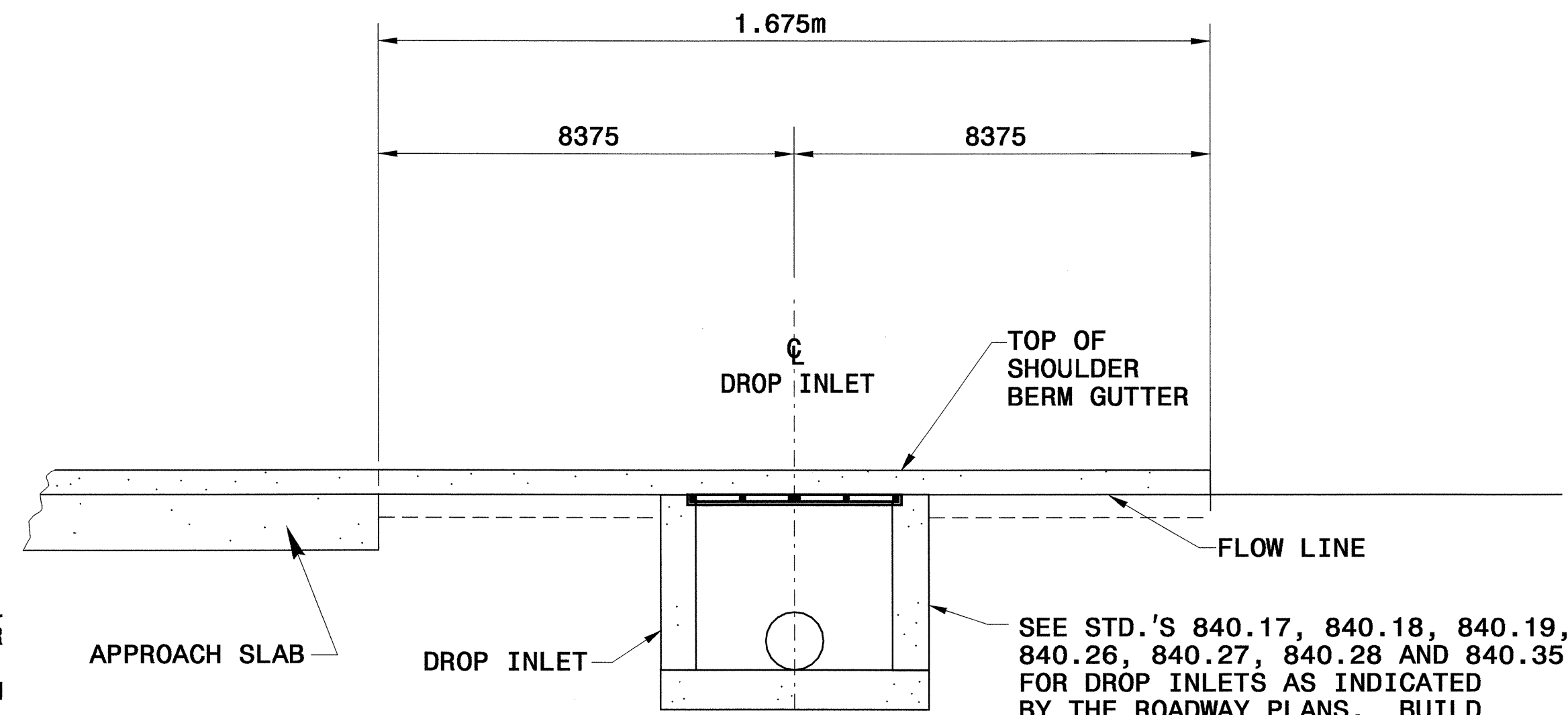


SECTION X-X

Note:
This drawing is dimensioned in millimeters unless otherwise depicted within the drawing.



SHOULDER BERM GUTTER DETAIL



SECTION Y-Y

DROP INLET INSTALLATION IN SHOULDER BERM GUTTER

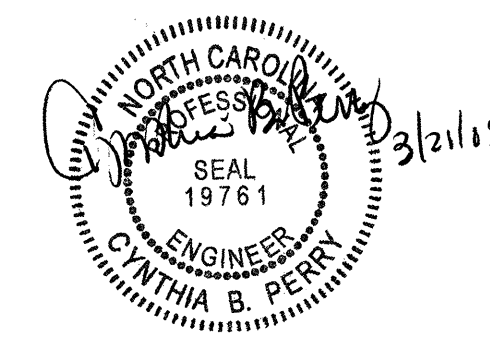
STATE OF
NORTH CAROLINA
DEPT. OF TRANSPORTATION
DIVISION OF HIGHWAYS
RALEIGH, N.C.

1-02

METRIC STANDARD DRAWING FOR
**DRAINAGE INSTALLATION IN
SHOULDER BERM GUTTER**
FRAME, GRATES AND DROP INLET

SHEET 1 OF 1

820D04



STRUCTURE No. 76

DESIGN SERVICES UNIT
STANDARDS AND SPECIAL DESIGN
Office 919-250-4128 FAX 919-250-4119

SEE PLATE FOR TITLE

ORIGINAL BY: nbritt DATE: 12-29-04
 MODIFIED BY: *Julie Hart* DATE: 1/1/05
 CHECKED BY: *Julie Hart* DATE: 1/1/05
 FILE SPEC.: def\jls\nbritt\metric\hydo\r2552aa\bermgutter.dgn