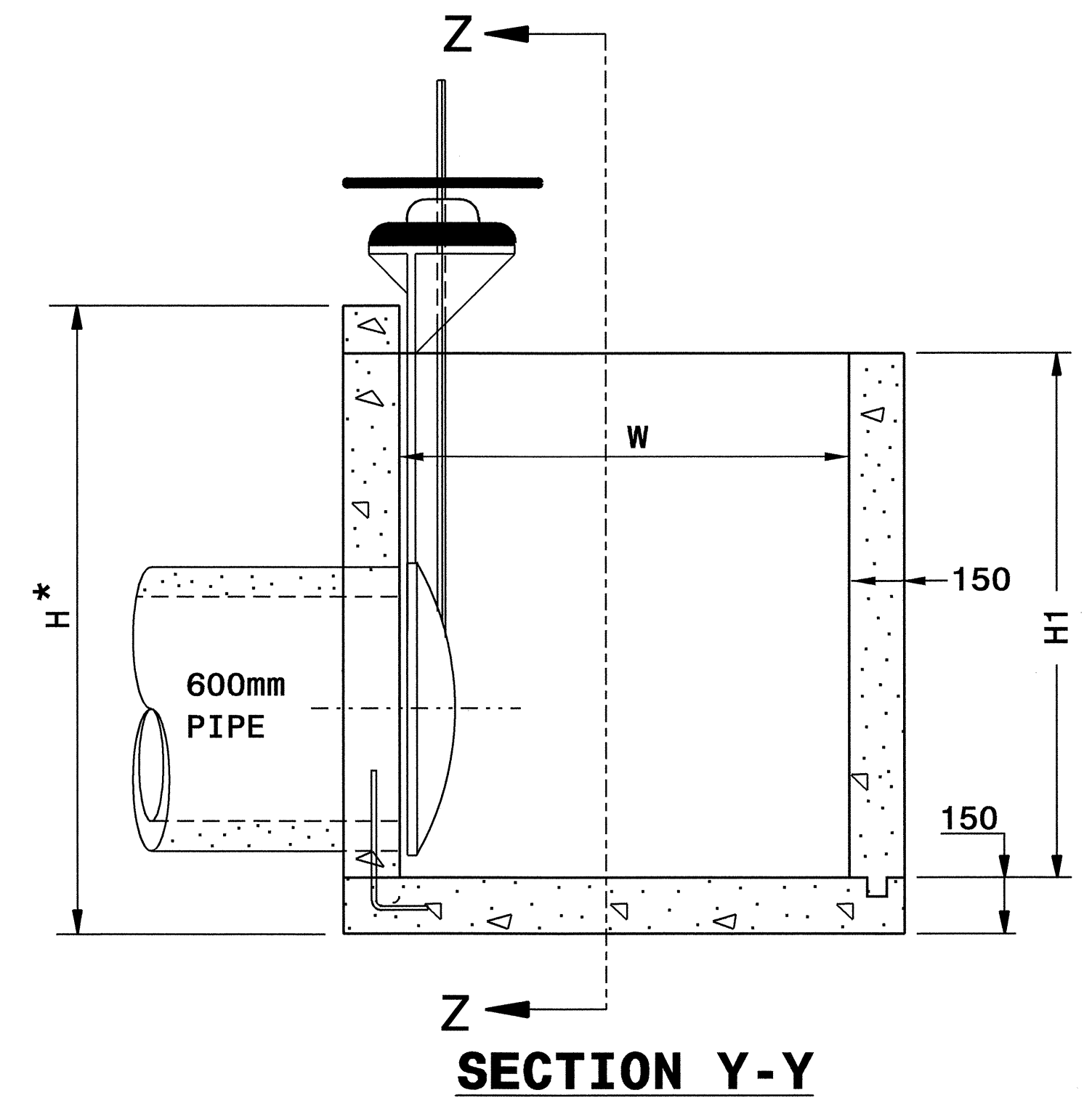
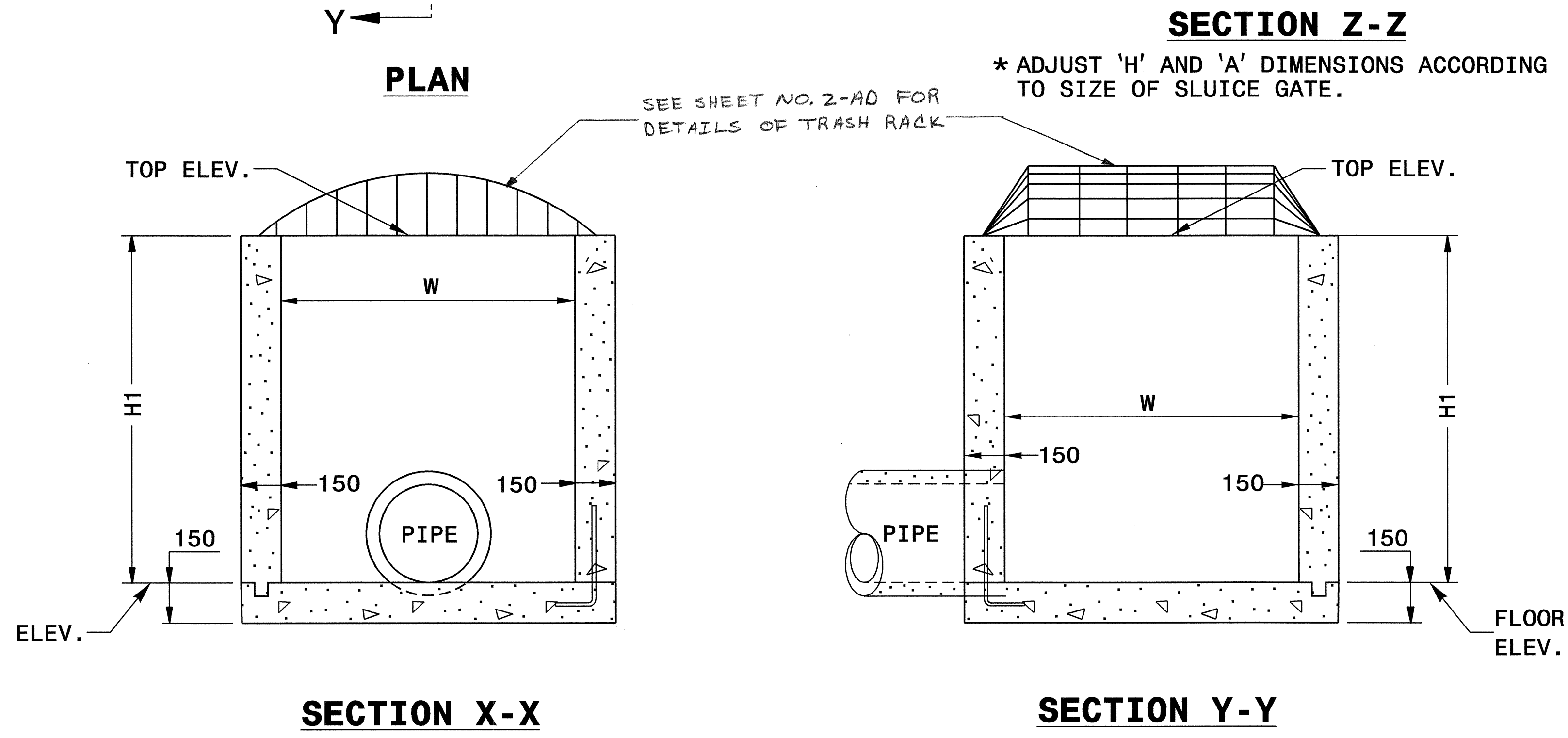


GENERAL NOTES:
 USE CLASS "B" CONCRETE THROUGHOUT.
 OPTIONAL CONSTRUCTION - MONOLITHIC POUR, 50mm KEYWAY, OR #13 BAR DOWELS AT 300mm CENTERS AS DIRECTED BY THE ENGINEER.
 USE FORMS FOR THE CONSTRUCTION OF THE BOTTOM SLAB.
 IF REINFORCED CONCRETE PIPE IS SET IN BOTTOM SLAB OF BOX, ADD TO SLAB AS SHOWN ON STD. NO. 840.00.
 MAX. DEPTH OF THIS STRUCTURE FROM TOP OF BOTTOM SLAB TO TOP ELEVATION IS 3.6 METERS.
 CHAMFER ALL EXPOSED CORNERS 25mm.
 ELEVATIONS ARE TO BE CONFIRMED BY THE ENGINEER PRIOR TO CONSTRUCTION OF THE PROPOSED DROP INLET RISER.

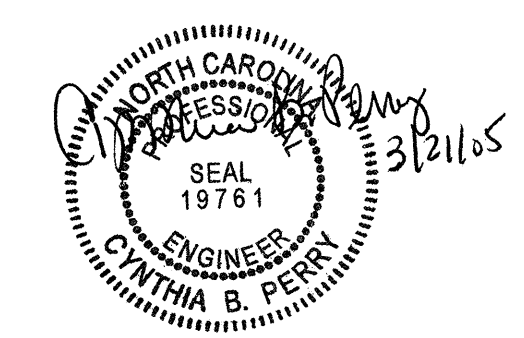


NOTE:
 CONCRETE RISER FOR STA. 25+40 RT. ONLY.
 PLACE TRASH RACK ON CONCRETE RISER WITH SLUICE GATE AS DIRECTED BY THE ENGINEER.

SITE LOCATION	OUTLET PIPE SIZE	W	TOP ELEV.	FLOOR ELEV.	DEPTH (H1)
STA.12+47 RT. L-REV.	1050	2.1	68.60	67.00	1.60
STA.15+70 RT. L-REV.	1050	2.1	64.85	63.50	1.35
STA.23+20 RT. L	750	1.5	75.26	73.10	2.16
STA.25+40 RT. L	600	1.2	77.50	76.10	1.40

INVERT OF PIPE TO BE SET BY CONTRACTOR IN RCBC.

STRUCTURE NOS. 112, 122, 151, 158
PROJECT SERVICES UNIT
STANDARDS AND SPECIAL DESIGN
 Office 919-250-4128 FAX 919-250-4119



DETAIL OF CONCRETE RISER
 ORIGINAL BY: T.Spell DATE: 11-19-04
 MODIFIED BY: DATE:
 CHECKED BY: DATE:
 FILE SPEC.: w:details/metric/stand/riser_r2552.dgn

21-FEB-2005 10:48
 C:\Users\TSpell\Documents\Stand\riser_r2552.dgn
 TSpell AT P530203655