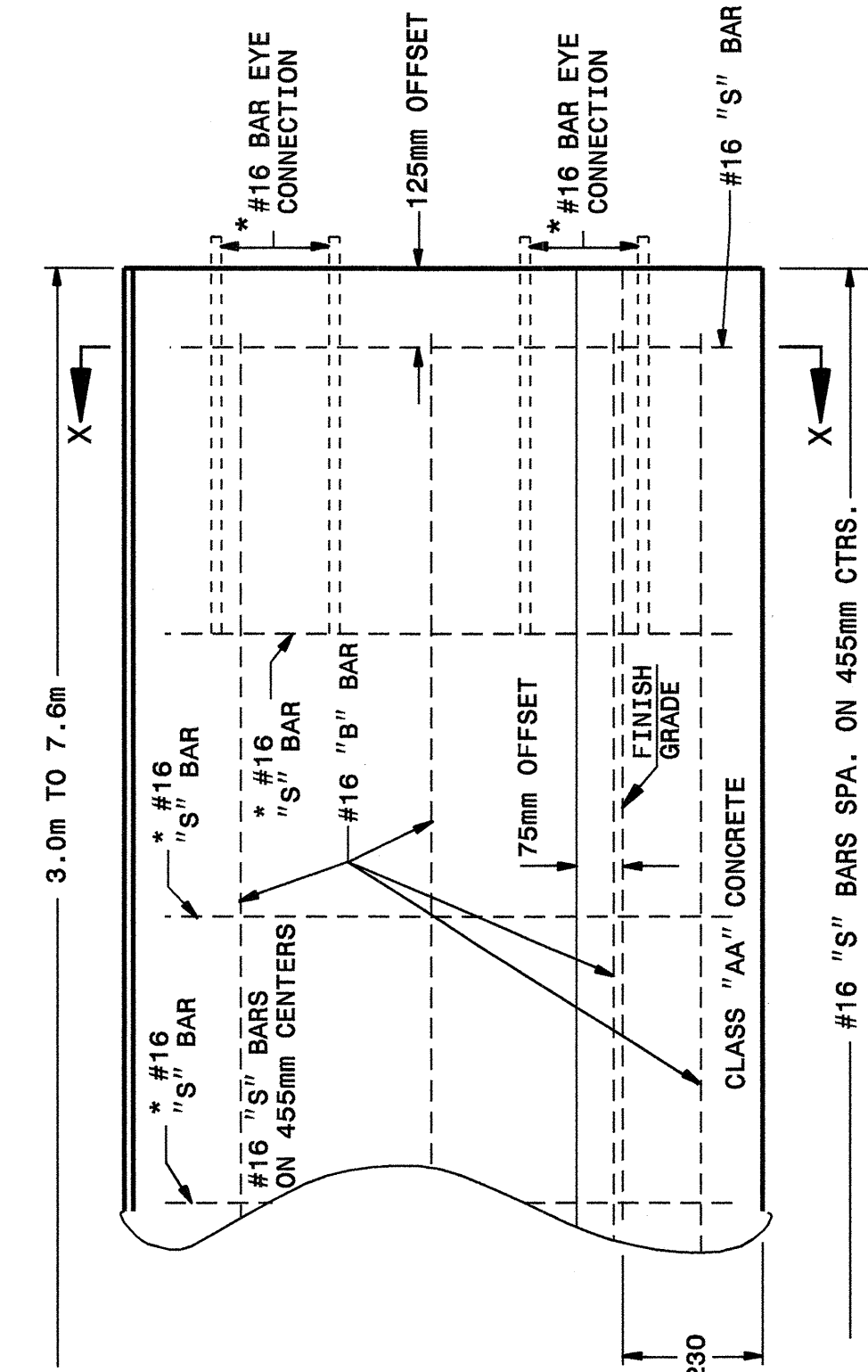


08-APR-2004 11:36
 M:\Special Details\857d01\857d01.dgn
 R:\USZ\1266

STATE OF
 NORTH CAROLINA
 DEPT. OF TRANSPORTATION
 DIVISION OF HIGHWAYS
 RALEIGH, N.C.

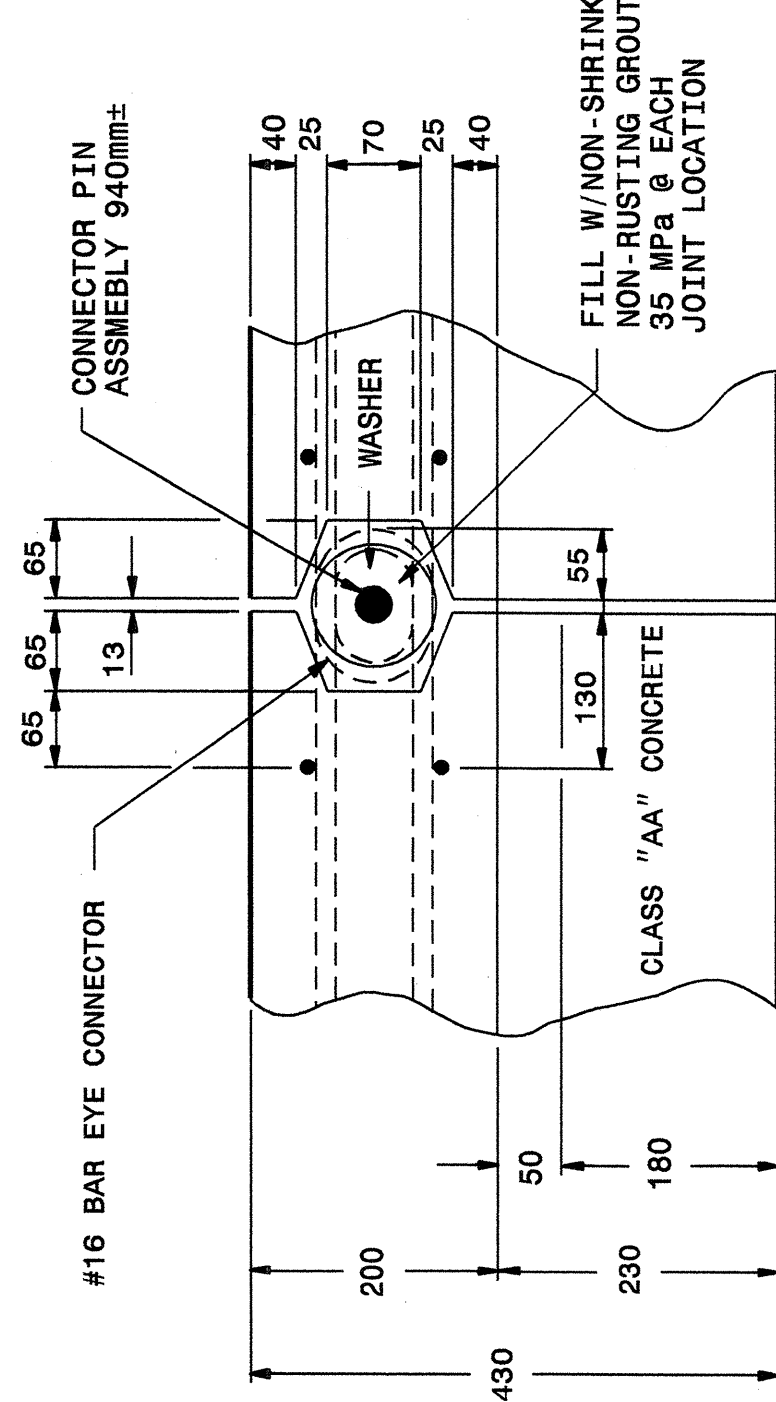
METRIC DETAIL DRAWING FOR
**PRECAST REINFORCED
 CONCRETE BARRIER**
 1.0m SINGLE FACED

SHEET 5 OF 8
857D01



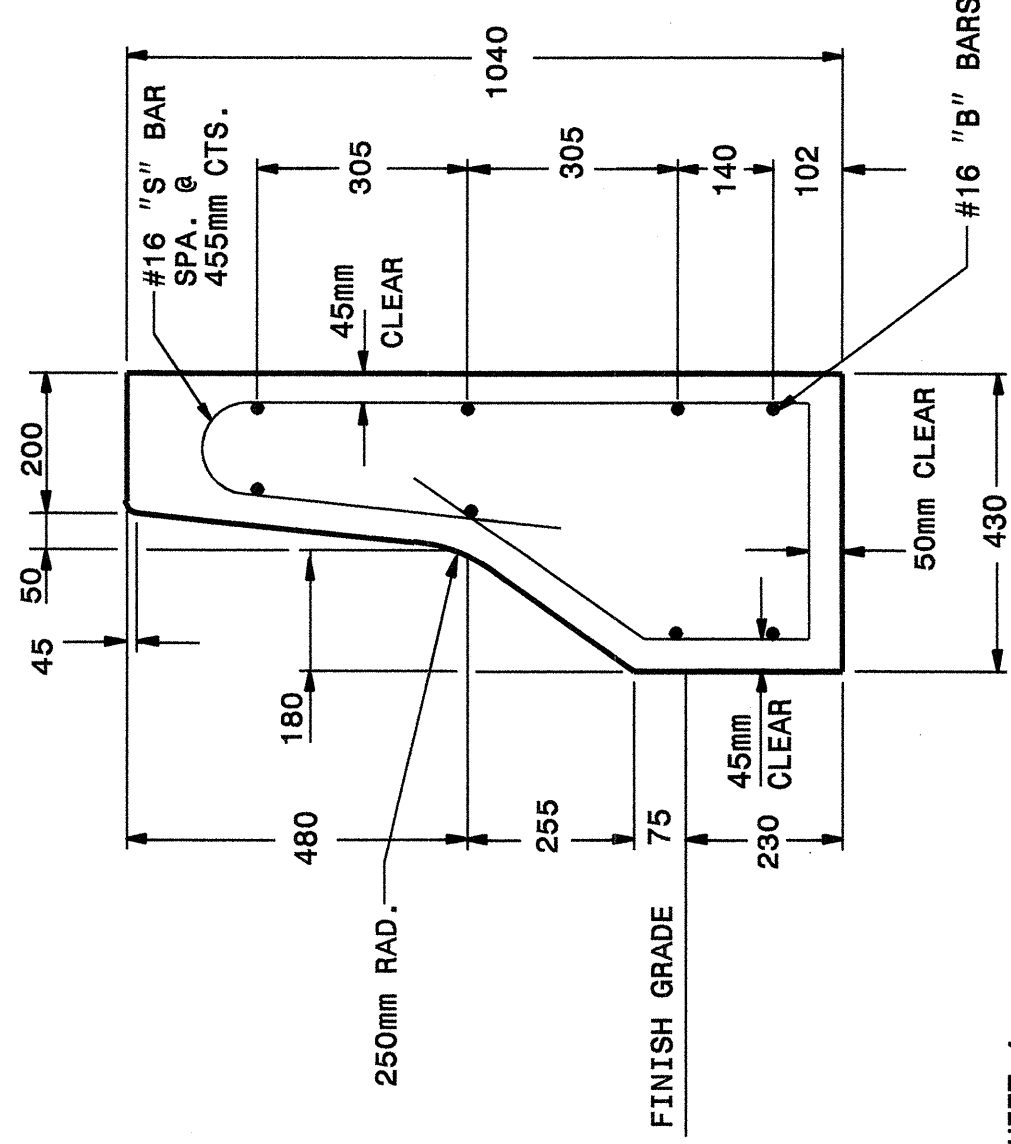
PART FRONT ELEVATION

#16 "S" BARS SPA, ON 455mm CTRS.



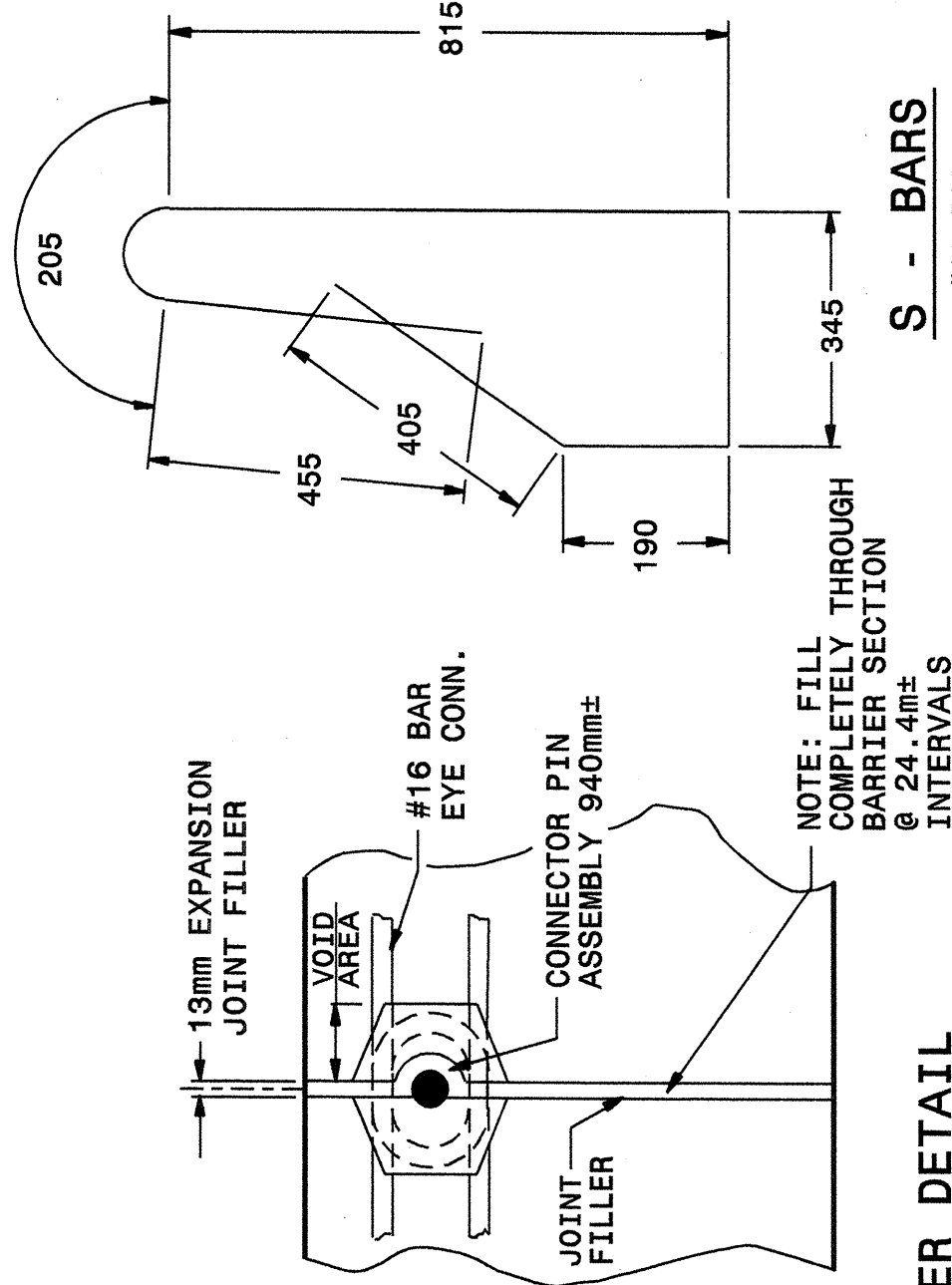
PLAN OF BONDED CONNECTION OF PRECAST UNIT

Note:
 This drawing is dimensioned in
 millimeters unless otherwise
 depicted within the drawing.



**DETAIL X-X
 CROSS SECTIONAL VIEW**

*SEE SHEET 4
 FOR DIMENSIONS



JOINT FILLER DETAIL

NOTE: FILL COMPLETELY THROUGH BARRIER SECTION @ 24.4mm² INTERVALS

S - BARS
 #16 BAR

STATE OF
 NORTH CAROLINA
 DEPT. OF TRANSPORTATION
 DIVISION OF HIGHWAYS
 RALEIGH, N.C.

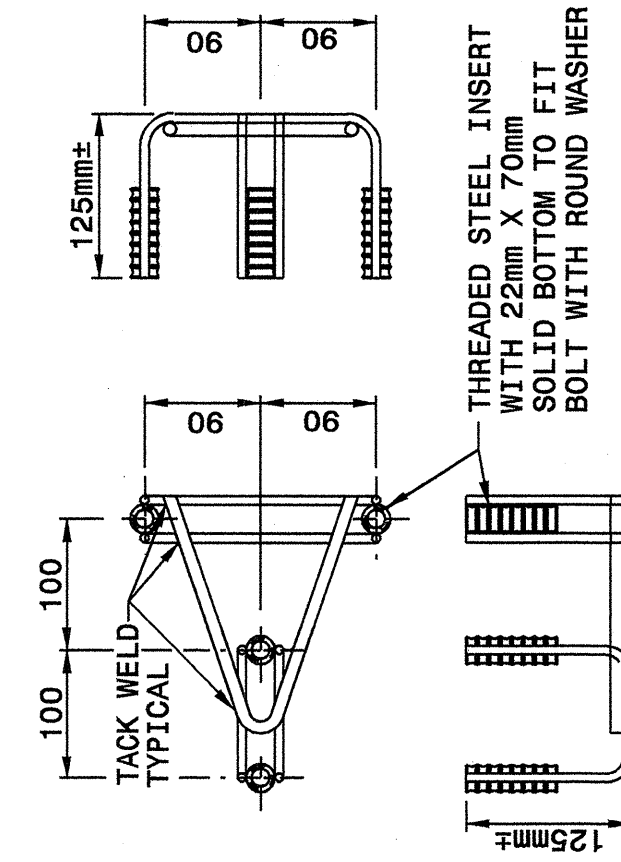
METRIC DETAIL DRAWING FOR
**PRECAST REINFORCED
 CONCRETE BARRIER**
 1.0m SINGLE FACED

SHEET 5 OF 8
857D01

STATE OF
 NORTH CAROLINA
 DEPT. OF TRANSPORTATION
 DIVISION OF HIGHWAYS
 RALEIGH, N.C.

METRIC DETAIL DRAWING FOR
**PRECAST REINFORCED
 CONCRETE BARRIER**
 1.0m SINGLE FACED

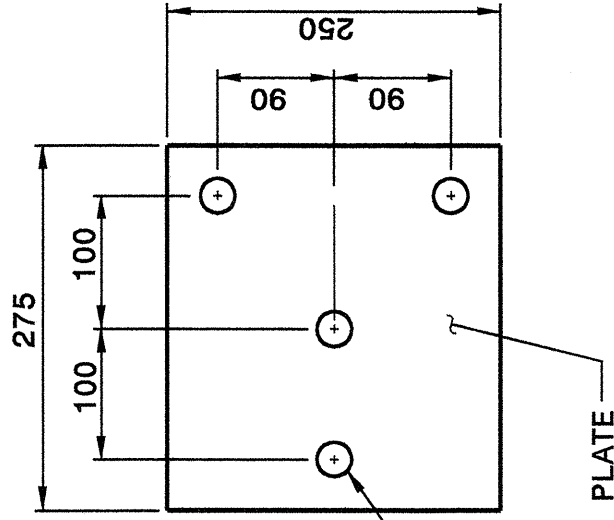
SHEET 6 OF 8
857D01



**DETAIL A
 4 BOLT INSERT ASSEMBLY**

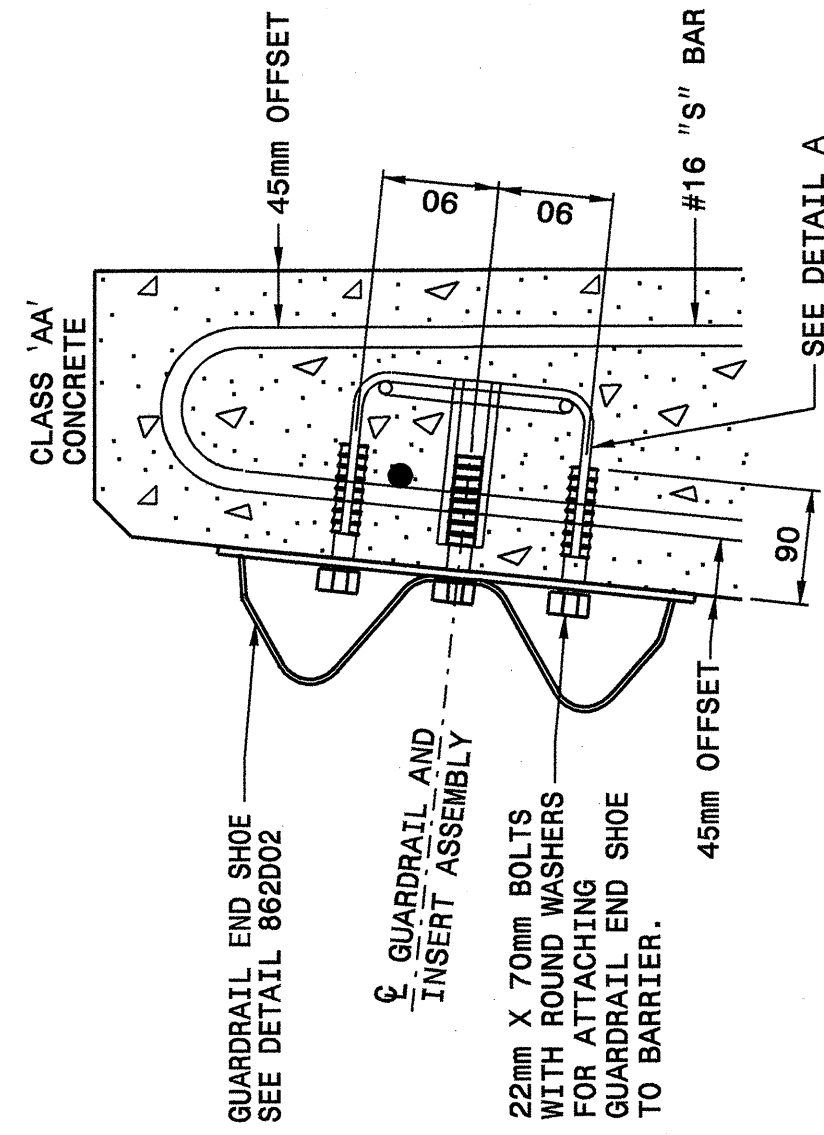
27mm DIA. HOLES FOR 22mm BOLTS (TYP.)

6mm HOLD-DOWN PLATE



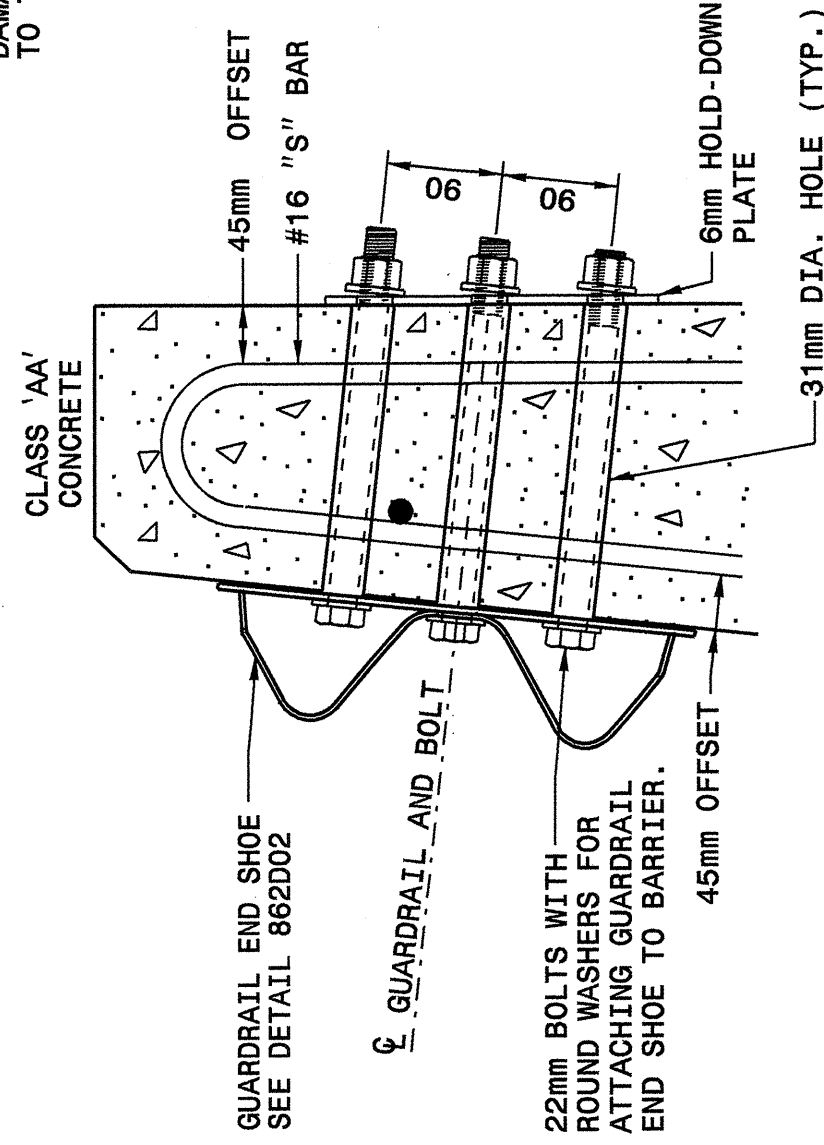
**DETAIL B
 4 BOLT HOLD DOWN PLATE**

NOTES FOR 4 BOLT HOLD-DOWN PLATE
 THE GUARDRAIL ANCHOR ASSEMBLY SHALL CONSIST OF A 6mm HOLD-DOWN PLATE AND 4 - 22mm DIA. BOLTS WITH NUTS AND WASHERS. THE HOLD-DOWN PLATE SHALL CONFORM TO AASHTO M270 GRADE 36 AFTER FABRICATION, THE HOLD-DOWN PLATE SHALL BE GALVANIZED IN ACCORDANCE WITH AASHTO M11. AFTER INSTALLATION, THE EXPOSED THREAD OF THE BOLT SHALL BE BURRED WITH A SHARP POINTED TOOL.
 THE 31mm DIA. HOLES SHALL BE FORMED OR DRILLED WITH A CORE BIT. IMPACT TOOLS WILL NOT BE PERMITTED. ANY CONCRETE DAMAGED BY THIS WORK SHALL BE REPAIRED TO THE SATISFACTION OF THE ENGINEER.



**PART SECTION
 OF BARRIER
 THRU END SHOE SECTION AND
 4 BOLT INSERT ASSEMBLY**

Note:
 This drawing is dimensioned in
 millimeters unless otherwise
 depicted within the drawing.



**PART SECTION
 OF BARRIER
 THRU END SHOE SECTION AND
 4 BOLT HOLD DOWN PLATE**

STATE OF
 NORTH CAROLINA
 DEPT. OF TRANSPORTATION
 DIVISION OF HIGHWAYS
 RALEIGH, N.C.

METRIC DETAIL DRAWING FOR
**PRECAST REINFORCED
 CONCRETE BARRIER**
 1.0m SINGLE FACED

SHEET 6 OF 8
857D01

**DESIGN SERVICES UNIT
 STANDARDS AND SPECIAL DESIGN**
 Office 919-250-4128 FAX 919-250-4119

SEE PLATE FOR TITLE

ORIGINAL BY: 2002 STD.857.01 DATE: 4-07-04
 MODIFIED BY: E.E. WARD DATE: 4-12-04
 CHECKED BY: C.B. GUNN DATE: 4-12-04
 FILE SPEC.: /usr/stds/02tdetail/metric/85701/857d01m.dgn

