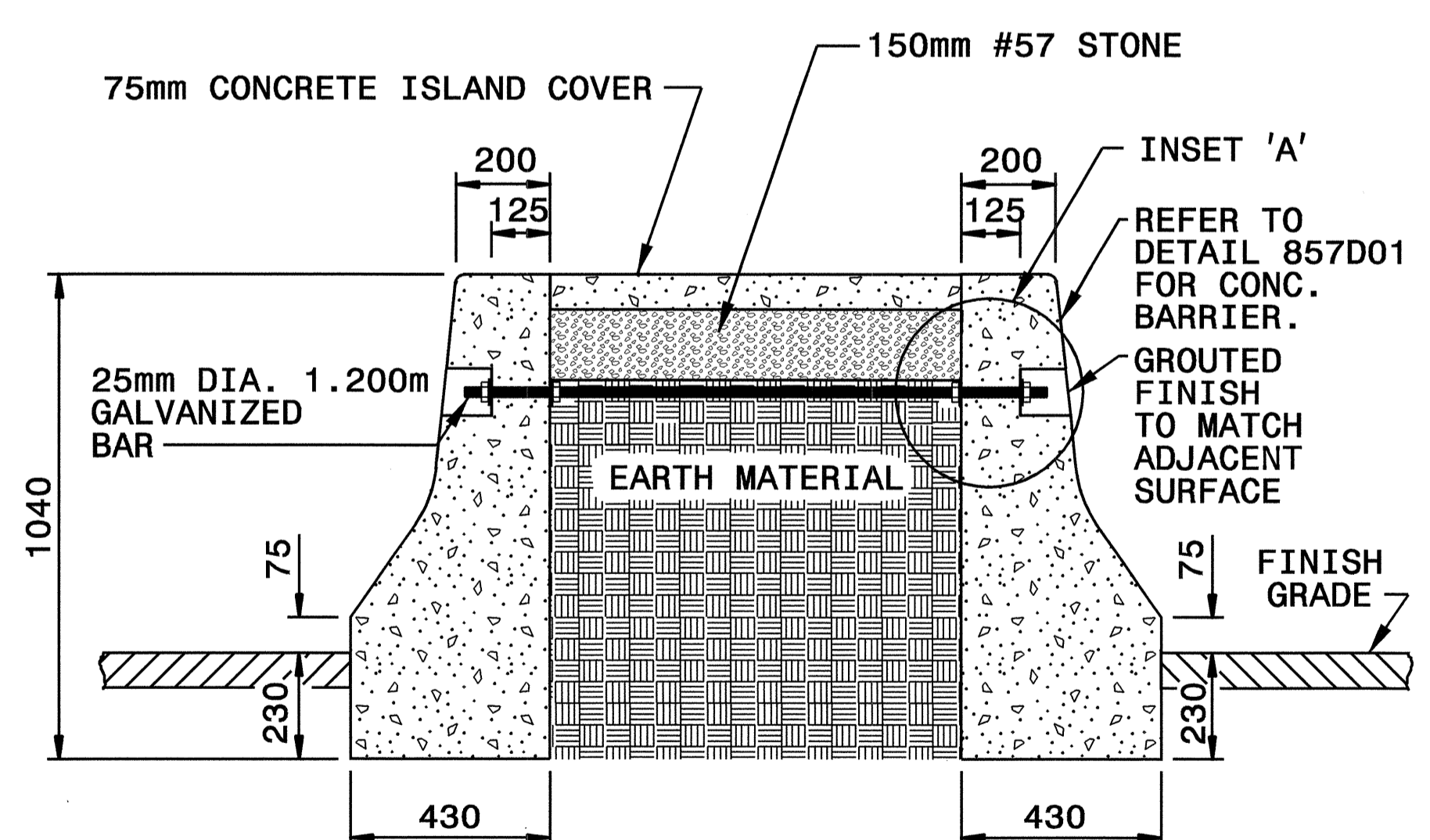
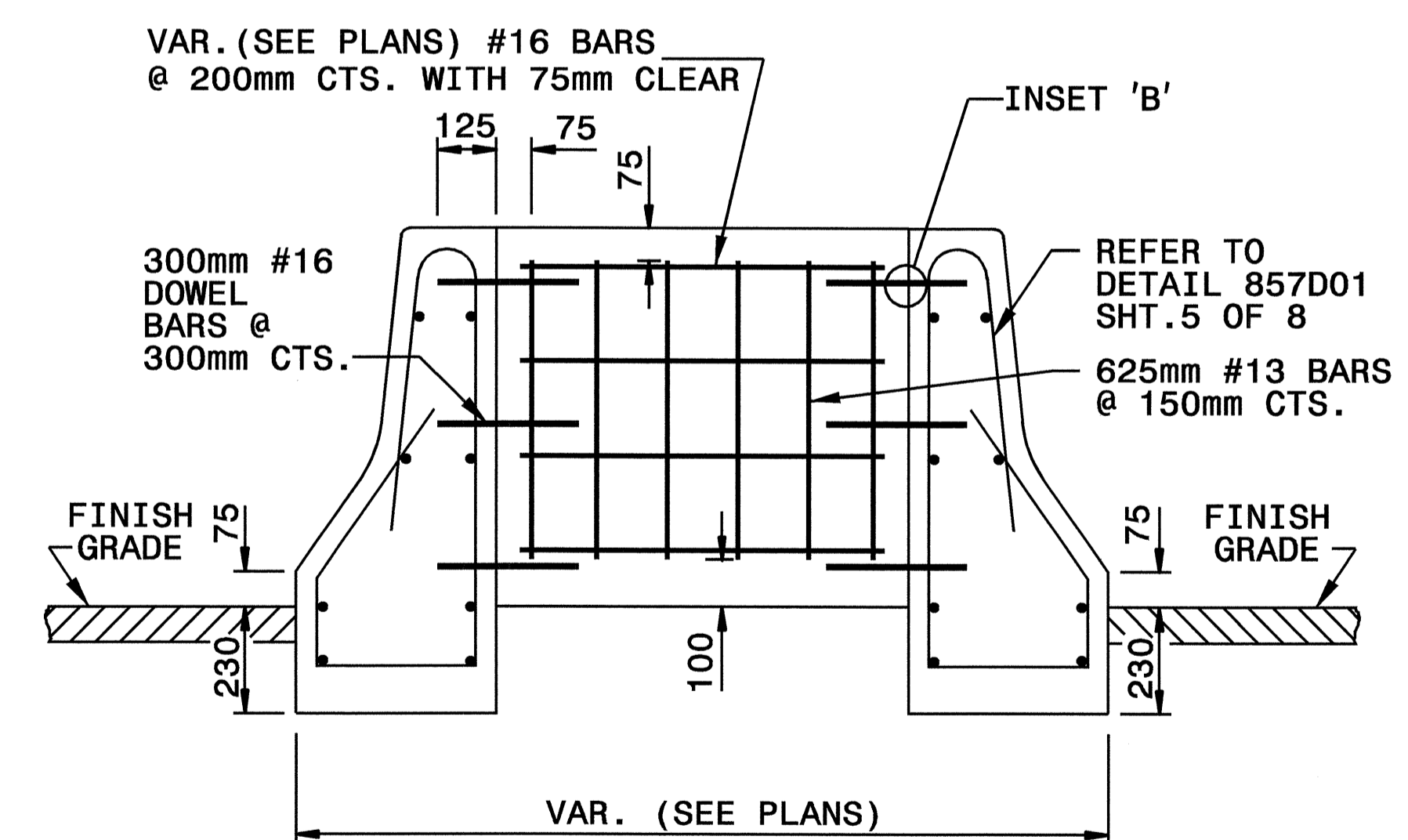


ELEVATION

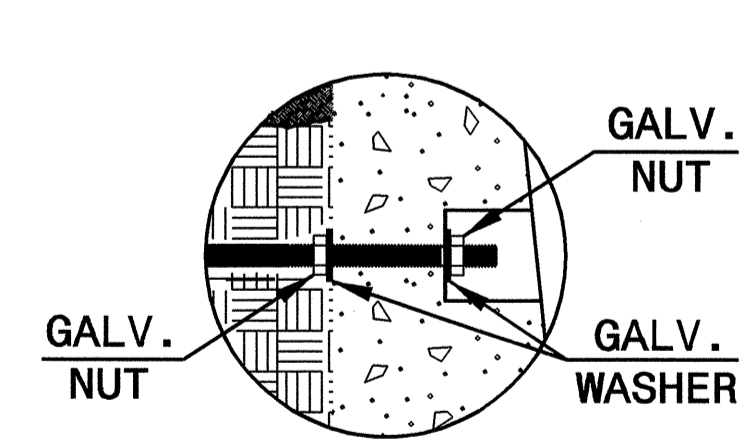
- GENERAL NOTES:**
- USE CLASS 'B' CONCRETE TO CONSTRUCT CONCRETE COVER.
 - SEAL ALL EXPANSION JOINTS WITH JOINT FILLER (SEE SECTION 1028 OF THE SPECIFICATIONS).
 - SUBMIT ALTERNATIVE METHODS FOR STEEL FABRICATION FOR REVIEW.
 - REFER TO PLANS AND TYPICAL SECTION FOR CONCRETE COVER LOCATIONS.
 - PAY FOR CONCRETE BARRIER PER LINEAR METER.
 - PAY FOR CONCRETE ISLAND COVER PER LINEAR METER.
 - PAY FOR #57 STONE PER CUBIC METER.
 - EARTH MATERIAL WILL BE INCIDENTAL.
 - USE AN APPROVED BONDING SYSTEM IN ACCORDANCE WITH SECTION 1081-1, TYPE 3A OF THE STANDARD SPECIFICATIONS.
 - DRILL ANCHOR HOLES WITH A PNEUMATIC DRILL UNLESS OTHERWISE APPROVED BY THE ENGINEER.
 - DRILL ANCHOR HOLES IN STRICT ACCORDANCE WITH MANUFACTURER'S RECOMMENDATIONS.
 - REMOVE ALL DEBRIS, CHIPS, DUST, GREASE, OIL AND OTHER FOREIGN MATTER FROM THE ANCHOR HOLES PRIOR TO THE APPLICATION OF THE ADHEIVE BONDING SYSTEM.
 - BARRIER TRANSITION LOCATED AS FIELD CONDITIONS DICTATE AND AS DIRECTED BY THE ENGINEER.



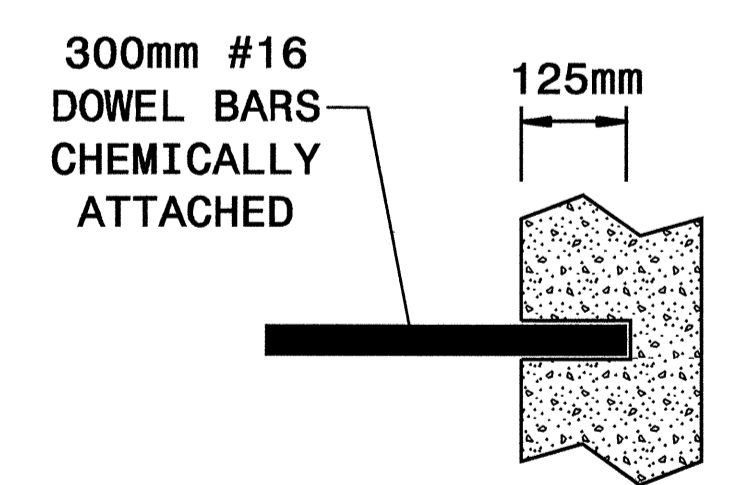
SECTION 'A-A'



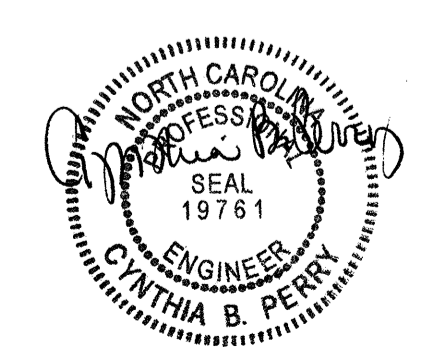
ENDWALL



INSET 'A'



INSET 'B'



PROJECT SERVICES UNIT STANDARDS AND SPECIAL DESIGN	
Office 919-250-4128 FAX 919-250-4119	
SINGLE FACE BARRIER PIER PROTECTION WITH 75mm COVER	
ORIGINAL BY: E.E. WARD	DATE: 1-99
MODIFIED BY: E.E. WARD	DATE: 8-03
CHECKED BY: <i>[Signature]</i>	DATE: 1/12/05
FILE SPEC.: <i>[Signature]</i>	

I:\AN-2005\15-00\W:\Special Details\metricstand\barriercover.dgn
ereward AT PSU222293