
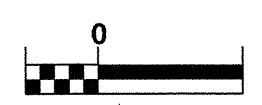
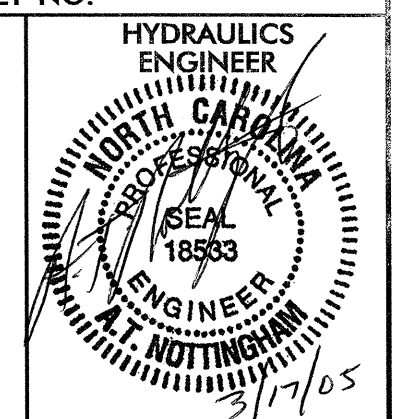


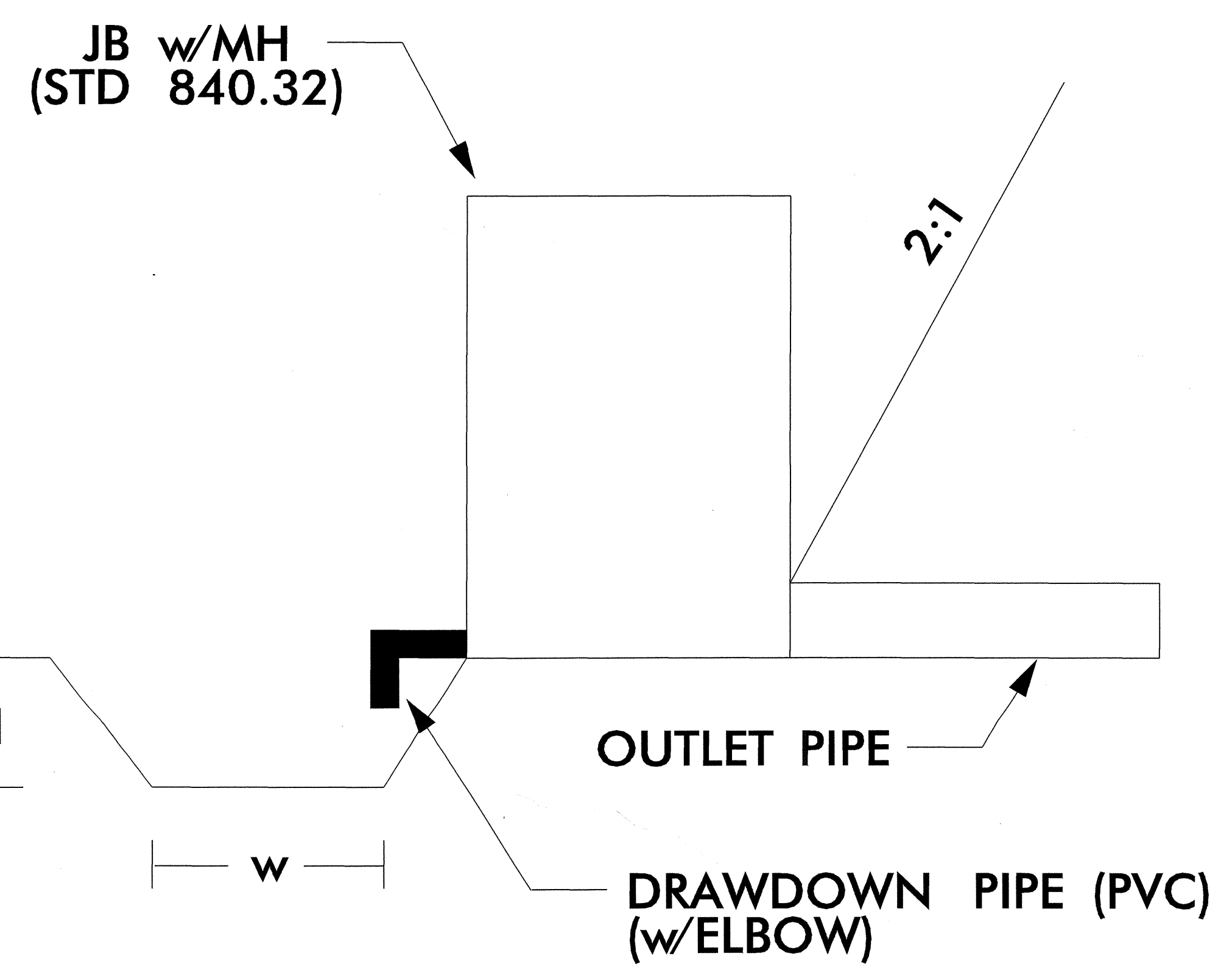
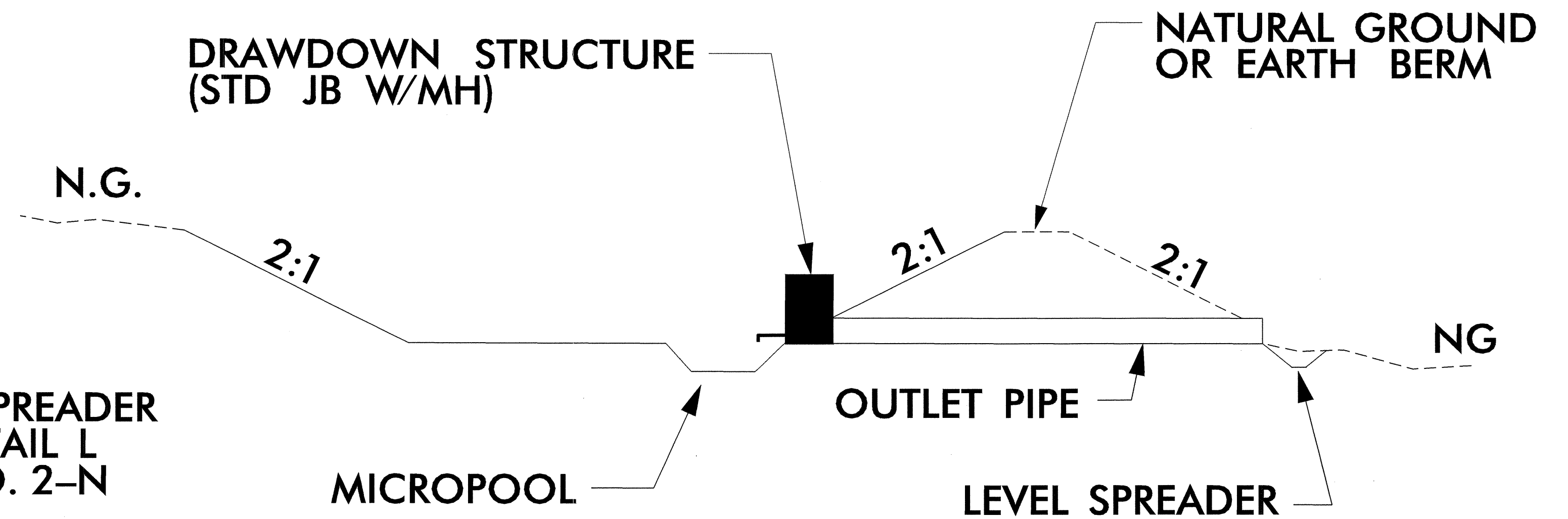
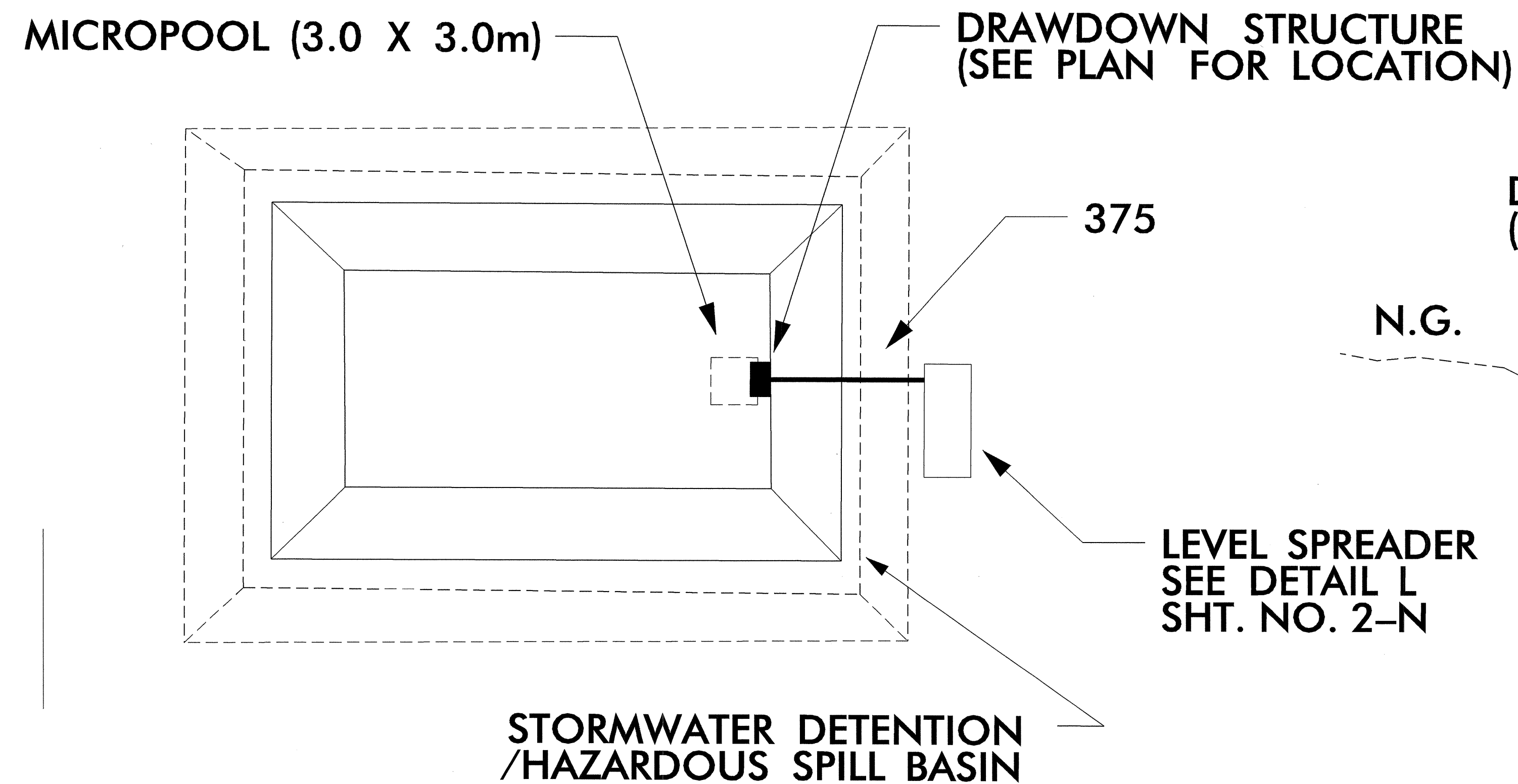
050197

REVISIONS

	PROJECT REFERENCE NO.	SHEET NO.
	R-2552AA	2-AY
	R/W SHEET NO.	
CONST. REV.		
R/W REV.		



DRAWDOWN STRUCTURE DETAIL



FLOOR ELEVATION

SITE LOCATION	DRAWDOWN PIPE SIZE	FLOOR EL / PIPE INVS	w	d
LREV STA 12+47 RT	51mm (2.0")	67.00	3.0m	0.5m
LREV STA 15+70 RT	51mm (2.0")	63.50	3.0m	0.5m
L STA 23+20 RT	51mm (2.0")	73.10	3.0m	0.5m
L STA 25+40 RT	38mm (1.5")	76.50	3.0m	0.5m

STRUCTURE NOS. 113, 123, 152, 159

04-FEB-2005 16:47
rd223162\interimaabasin_details_aa.dgn
A. Nottingham