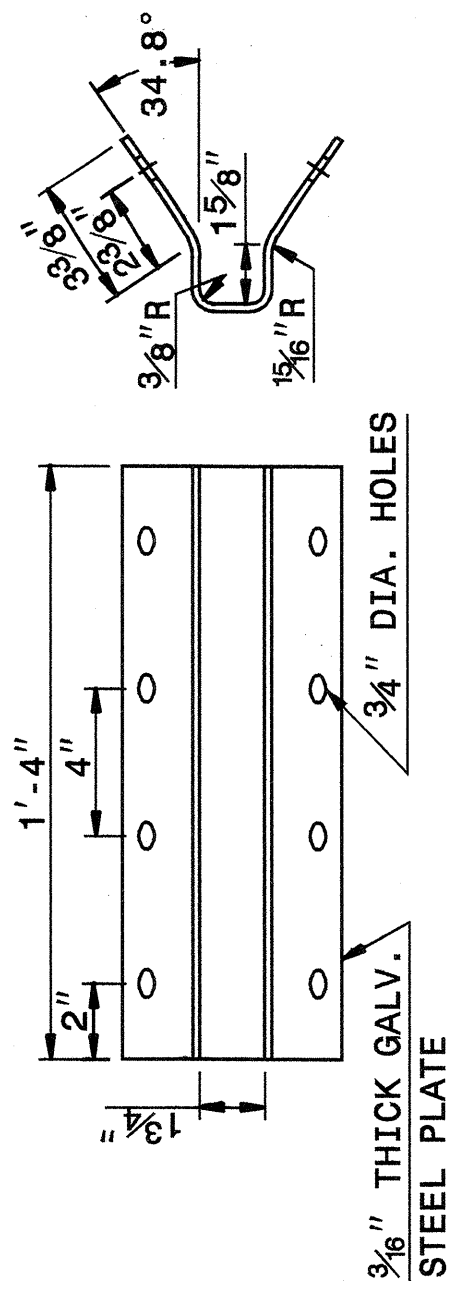
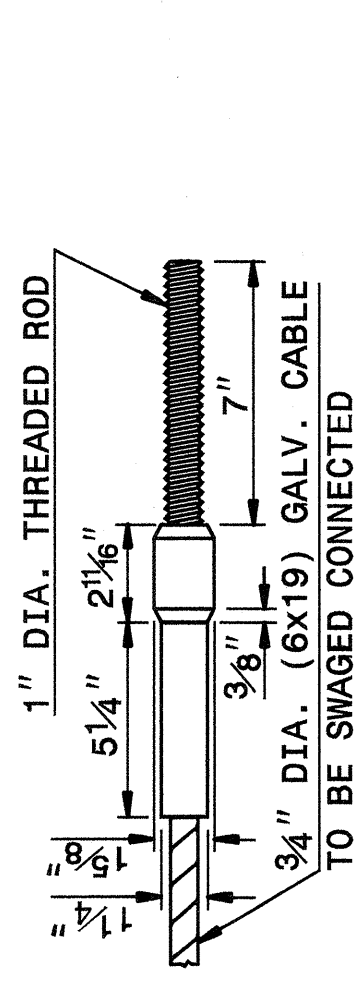
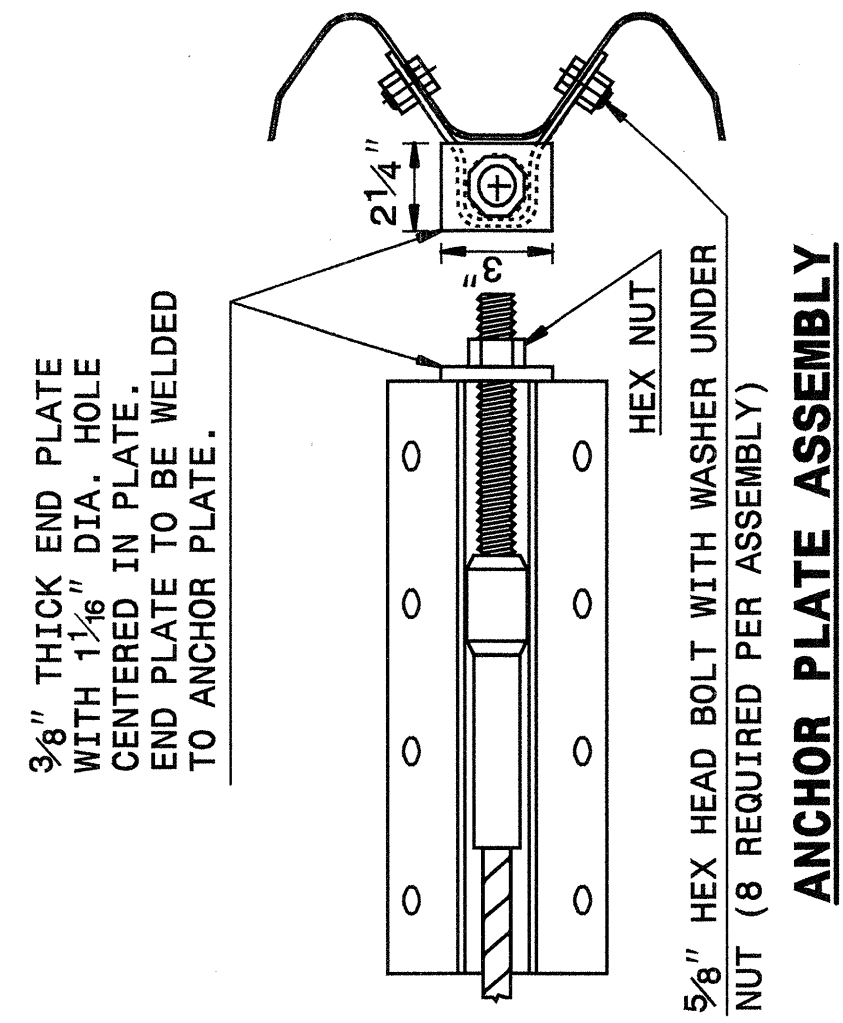


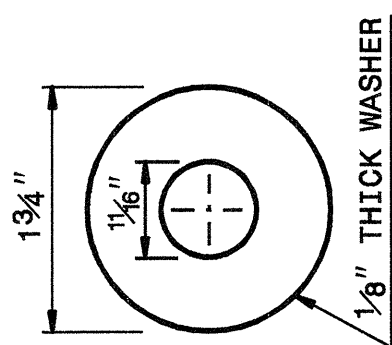
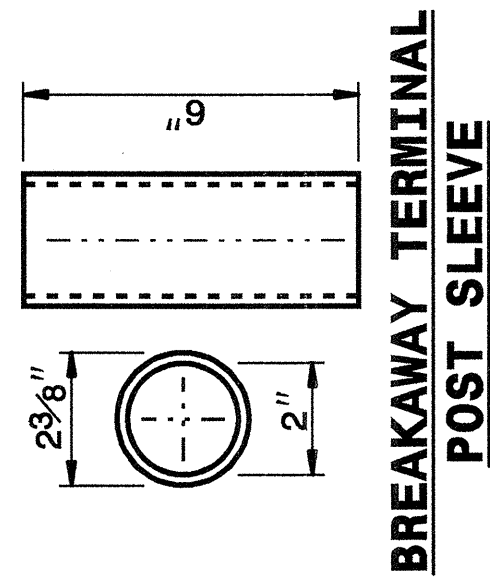
STATE OF NORTH CAROLINA
 DEPT. OF TRANSPORTATION
 DIVISION OF HIGHWAYS
 RALEIGH, N.C.

ENGLISH DETAIL DRAWING FOR
 GUARDRAIL INSTALLATION

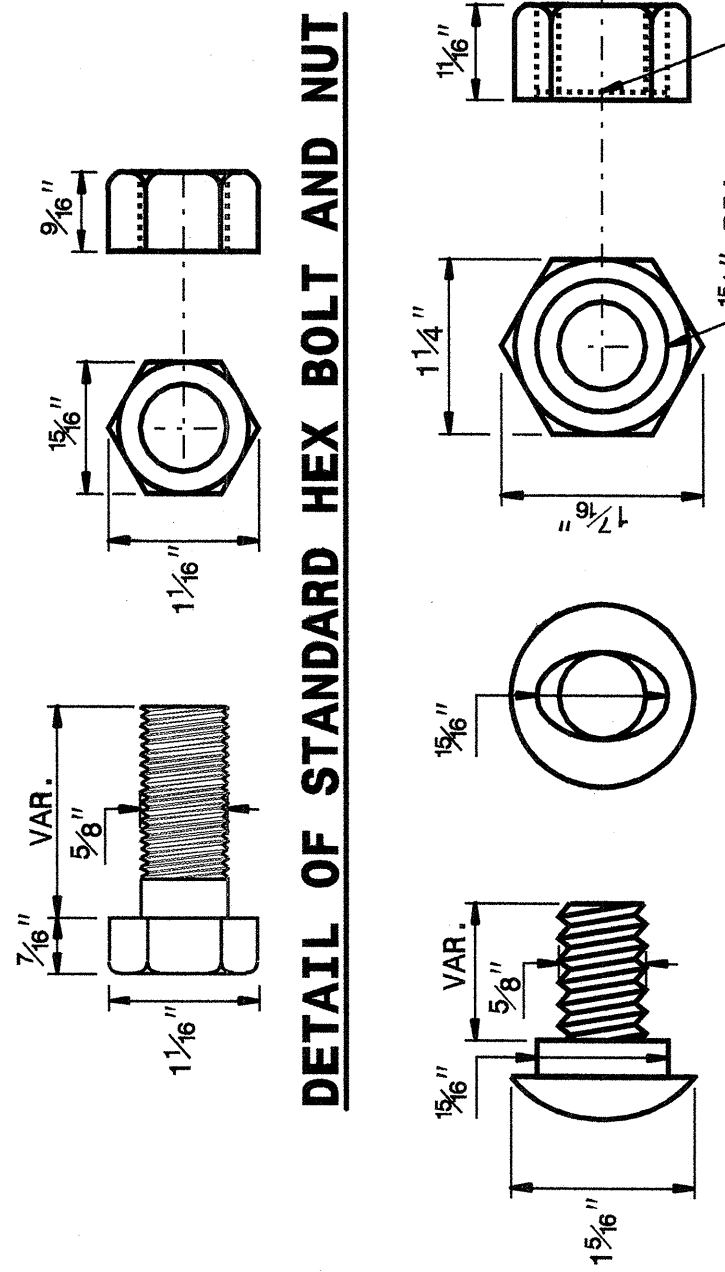
SHEET 5 OF 7
 862D02



ANCHOR PLATE
 CABLE ASSEMBLY



STANDARD WASHER: TYPICAL USE UNDER NUT WITH WOOD POST



DETAIL OF BUTTON HEAD BOLT AND NUT

SYSTEM PARTS

STATE OF NORTH CAROLINA
 DEPT. OF TRANSPORTATION
 DIVISION OF HIGHWAYS
 RALEIGH, N.C.

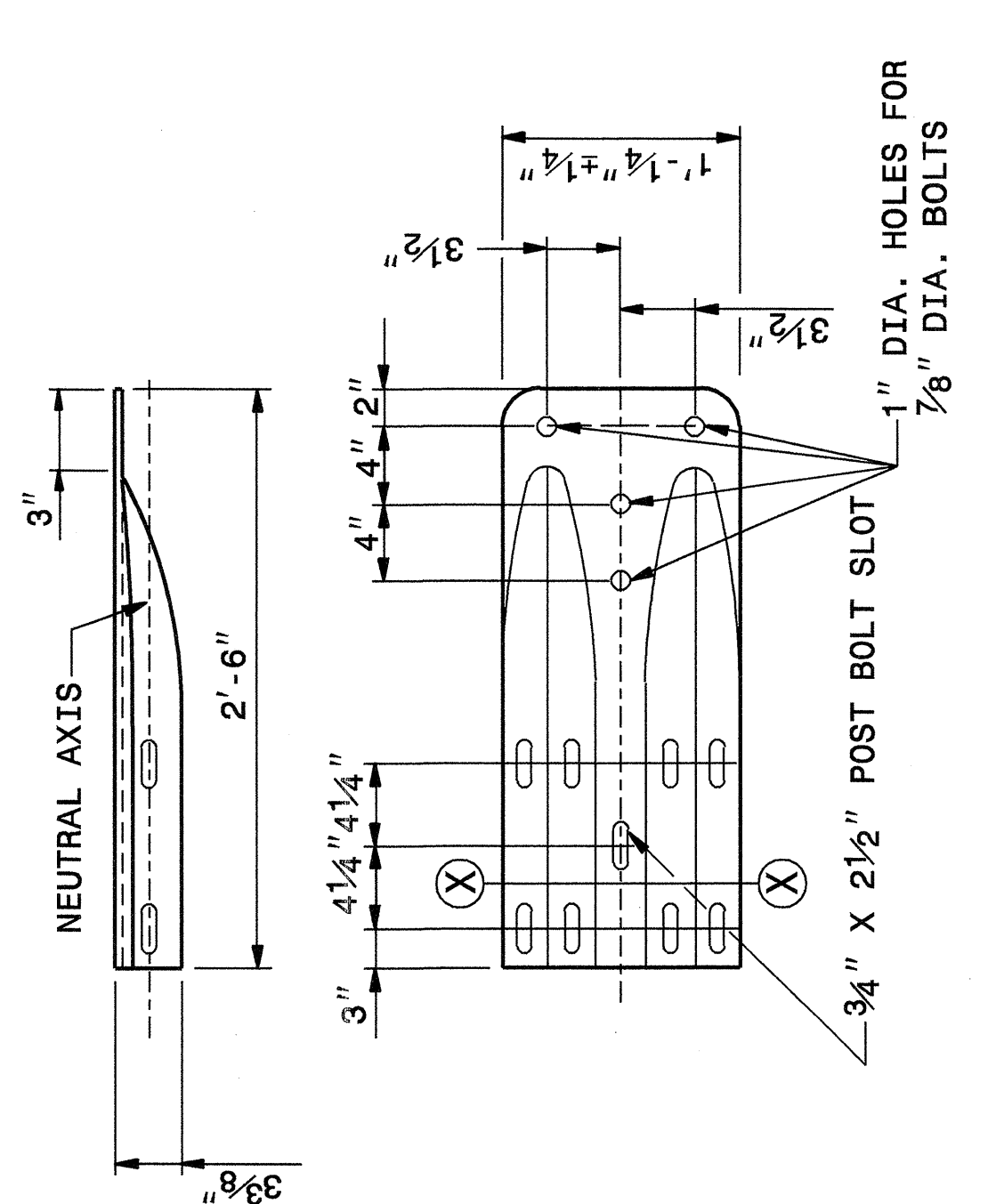
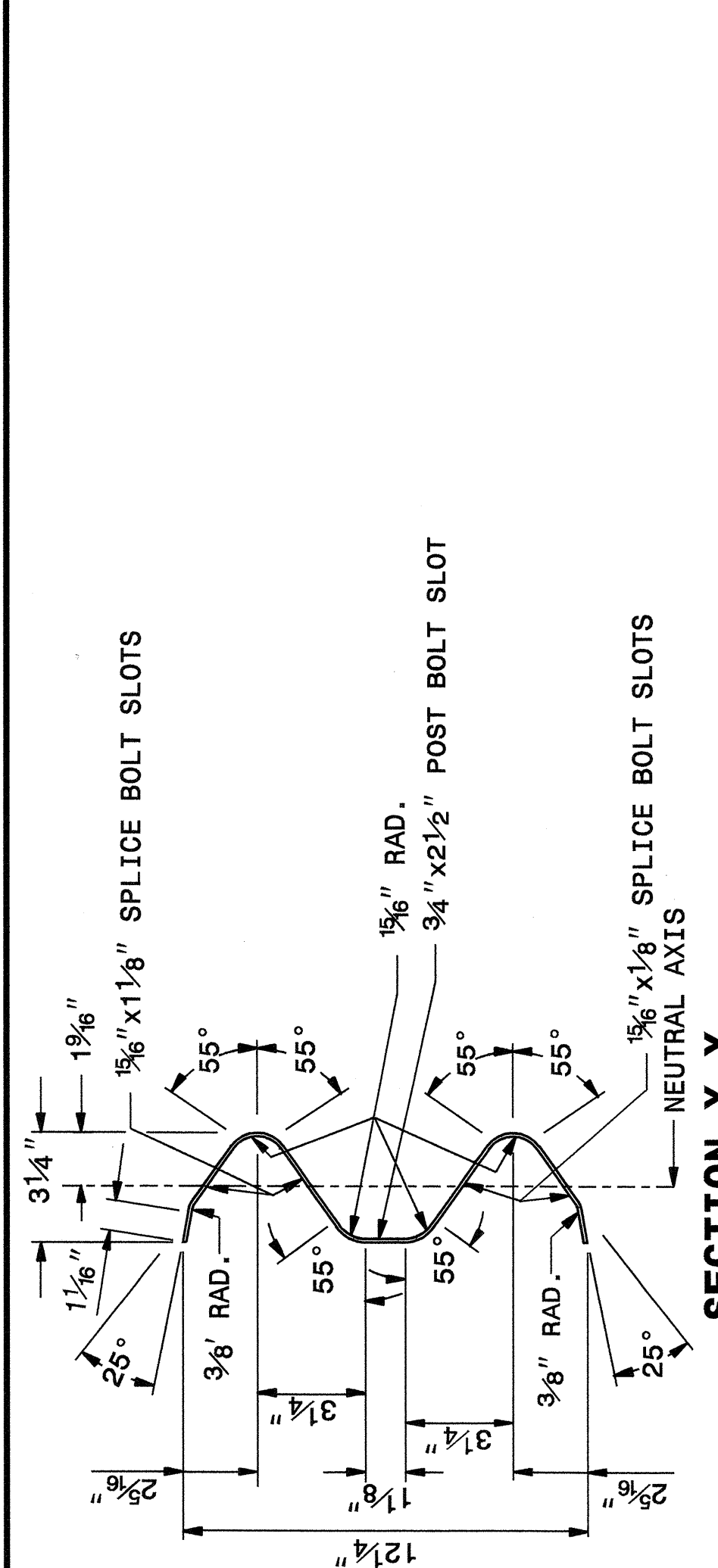
ENGLISH DETAIL DRAWING FOR
 GUARDRAIL INSTALLATION

SHEET 5 OF 7
 862D02

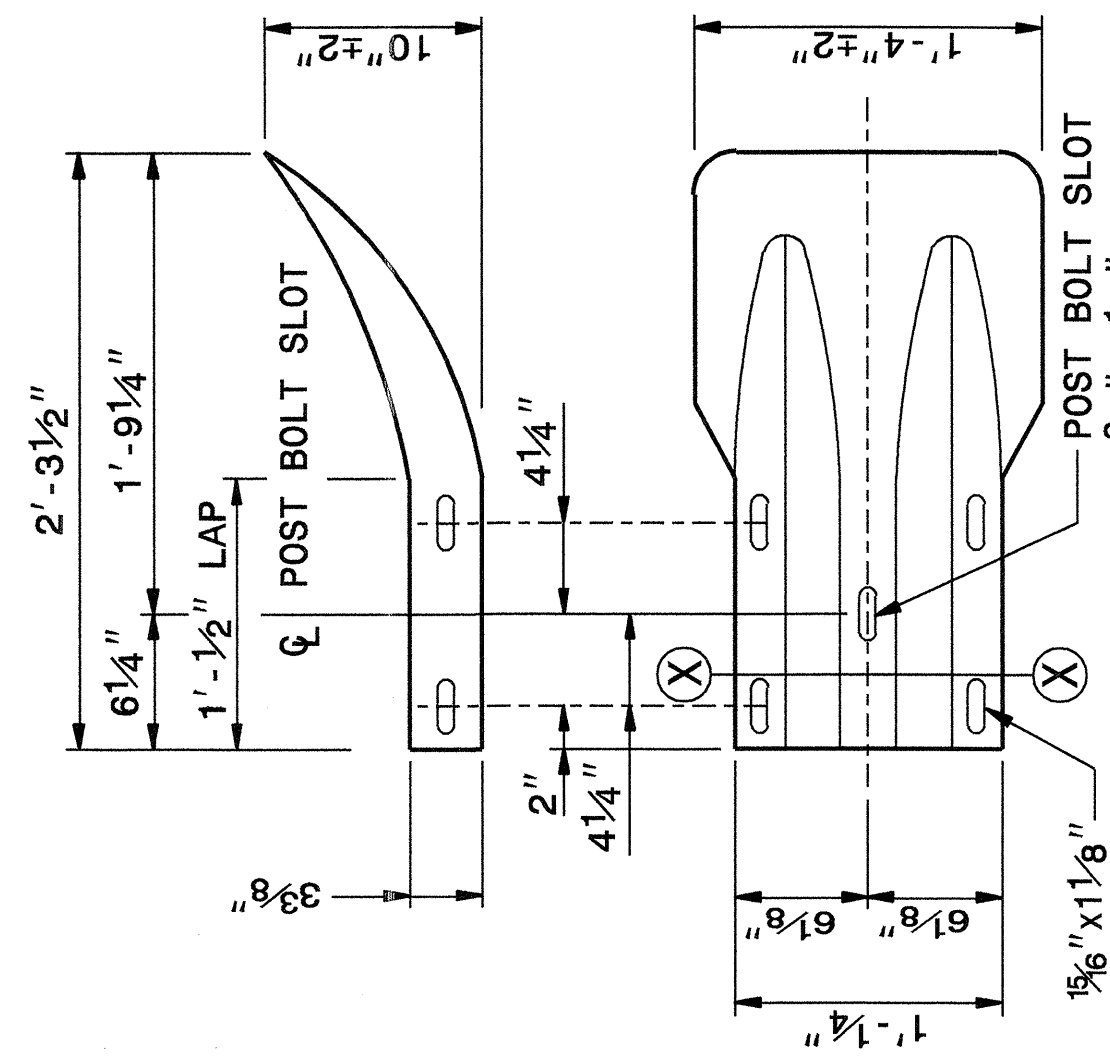
STATE OF NORTH CAROLINA
 DEPT. OF TRANSPORTATION
 DIVISION OF HIGHWAYS
 RALEIGH, N.C.

ENGLISH DETAIL DRAWING FOR
 GUARDRAIL INSTALLATION

SHEET 6 OF 7
 862D02



TYPICAL END SHOE



TERMINAL END SECTION

STATE OF NORTH CAROLINA
 DEPT. OF TRANSPORTATION
 DIVISION OF HIGHWAYS
 RALEIGH, N.C.

ENGLISH DETAIL DRAWING FOR
 GUARDRAIL INSTALLATION

SHEET 6 OF 7
 862D02

PROJECT SERVICES UNIT
 STANDARDS AND SPECIAL DESIGN
 Office 919-250-4128 FAX 919-250-4119

SEE PLATE FOR TITLE

ORIGINAL BY: 2002 STD.862.02 DATE:
 MODIFIED BY: E.E. WARD DATE: 02-09-03
 CHECKED BY: J.S. Hunt DATE: 10/2/04
 FILE SPEC.: \\nst\stds\02todetail\enq1sh\86202\862d02.dgn



19-00T-2004 11:39
 W:\Special_Details\enq1sh\guard\stds\02\stds to Special_Details\enq1sh\86202_0862d02.dgn
 arickard R1 DS212260