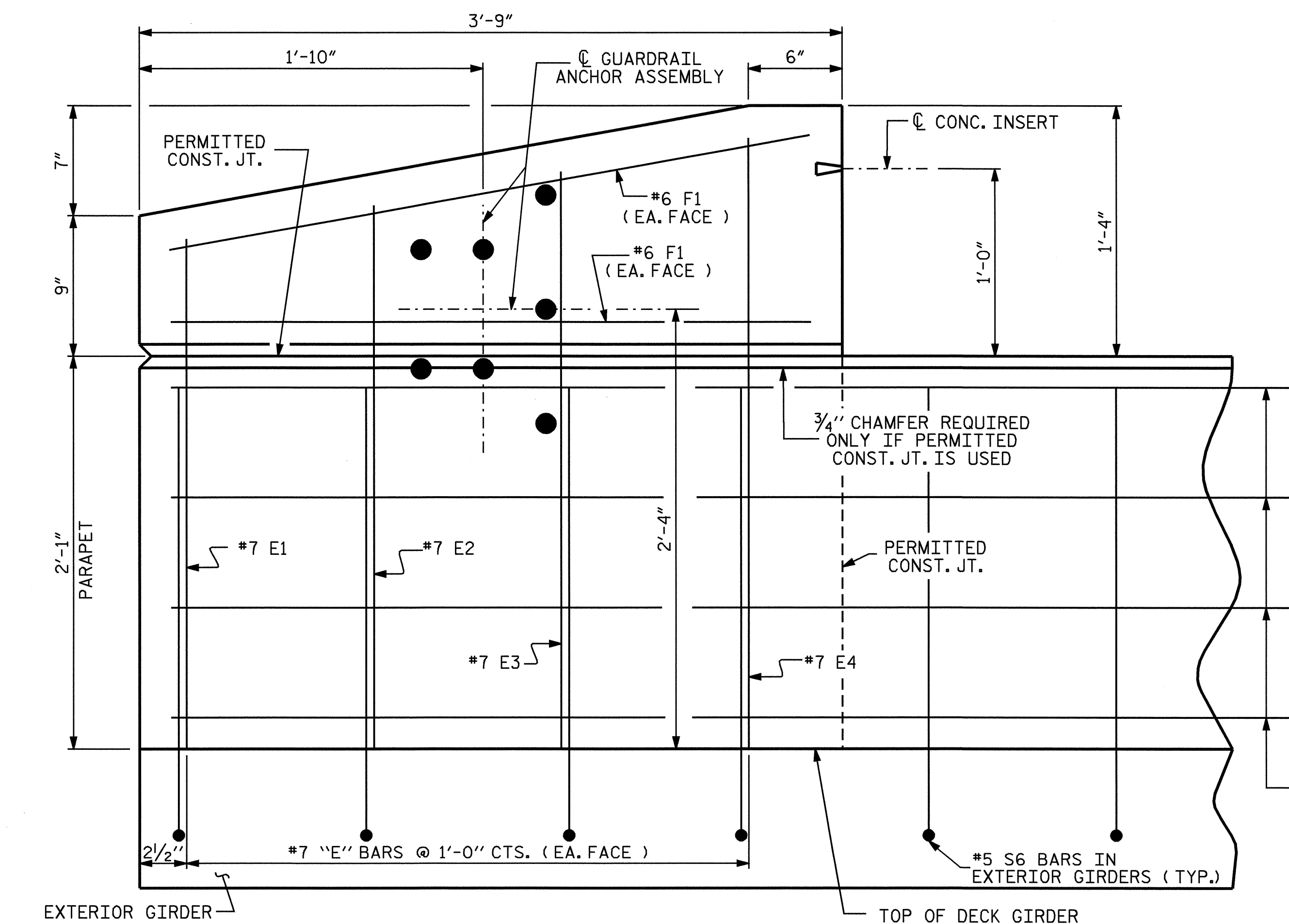
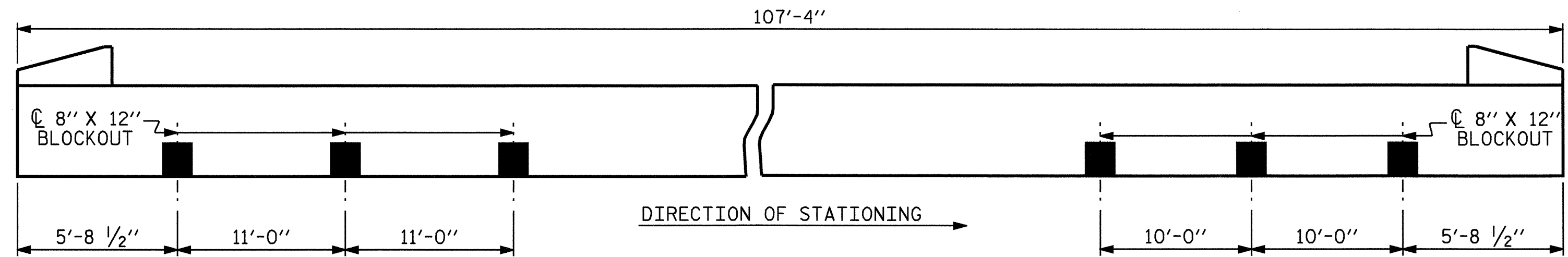


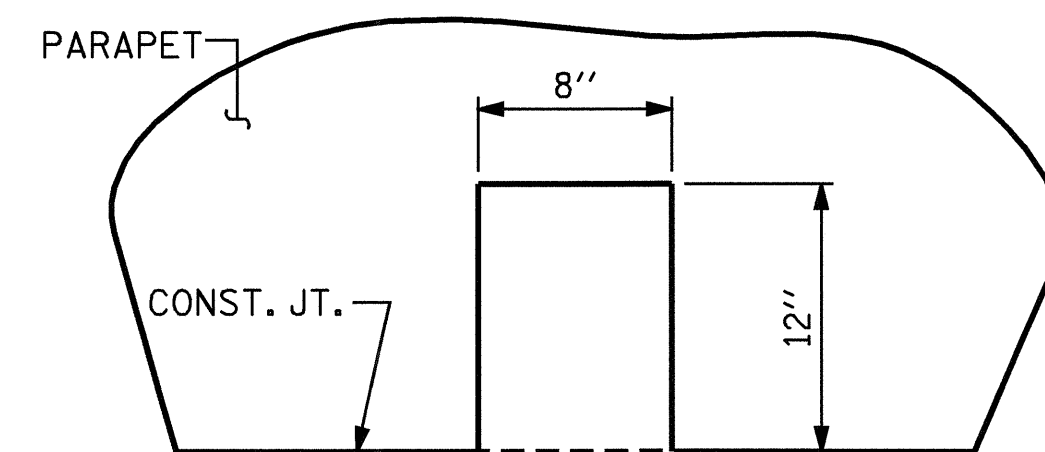
PLAN OF END POST



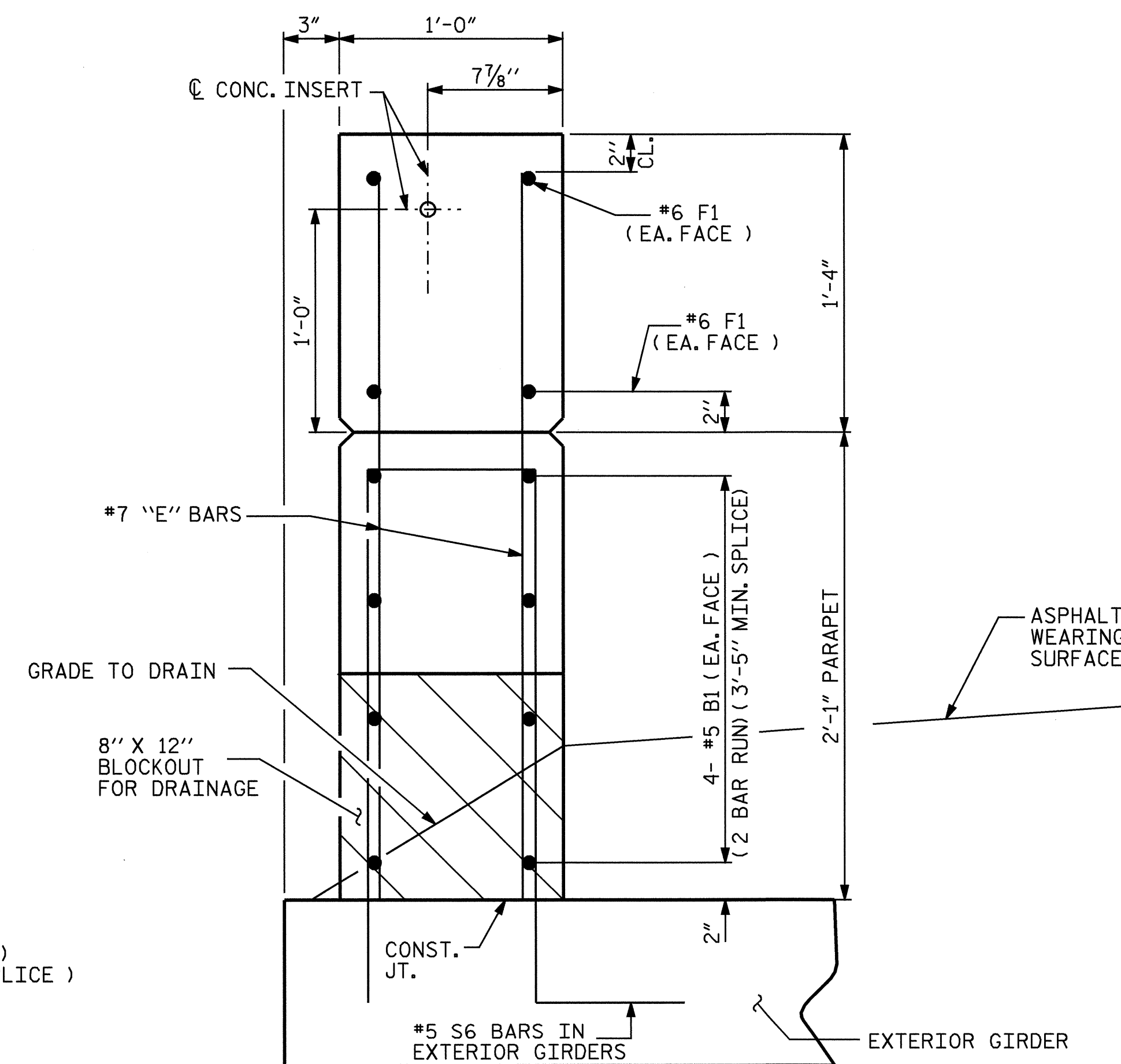
ELEVATION OF END POST



BLOCKOUT SPACING IN PARAPET



BLOCKOUT DETAIL



SECTION OF END POST

NOTES

FOR LOCATION OF #5 S6 BARS SEE "TYPE III PRESTRESSED CONCRETE DECK GIRDER DETAILS" SHEET 3 OF 3.

#5 B1 BARS IN PARAPET SHALL BE FIELD CUT WHEN NECESSARY TO AVOID BLOCKOUT.

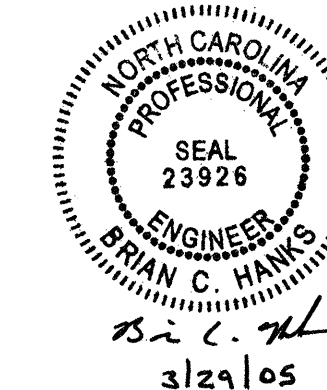
#7 'E' BARS MAY BE SHIFTED AS NECESSARY TO AVOID INTERFERENCE WITH GUARDRAIL ANCHORAGE.

REINFORCING STEEL IN PARAPET AND END POST SHALL BE EPOXY COATED.

GROOVED CONTRACTION JOINTS, 1/2" IN DEPTH, SHALL BE TOOLED IN ALL EXPOSED FACES OF THE PARAPET IN ACCORDANCE WITH ARTICLE 825-10(B) OF THE STANDARD SPECIFICATIONS. THE CONTRACTION JOINT SHALL BE LOCATED AT A SPACING OF 8FT. TO 10FT. BETWEEN EXPANSION JOINTS. NO CONTRACTION JOINTS WILL BE REQUIRED FOR SEGMENTS LESS THAN 10 FEET IN LENGTH.

BILL OF MATERIAL					
PARAPETS AND END POSTS					
BAR	NO.	SIZE	TYPE	LENGTH	WEIGHT
*B1	32	#5	STR	55'-3"	1844
*E1	8	#7	STR	2'-8"	44
*E2	8	#7	STR	2'-10"	46
*E3	8	#7	STR	3'-0"	49
*E4	8	#7	STR	3'-3"	53
*F1	16	#6	STR	3'-5"	82
* EPOXY COATED REINF. STEEL = 2118 LBS					
CLASS "A" CONCRETE = 17.2 C.Y.					
CONCRETE PARAPET = 214.67 L.F.					

PROJECT NO. B-3700  
STANLY COUNTY  
 STATION: 16+85.00 -L-



STATE OF NORTH CAROLINA  
 DEPARTMENT OF TRANSPORTATION  
 RALEIGH

PARAPET AND  
 END POST  
 DETAILS

REVISIONS						SHEET NO.
NO.	BY:	DATE:	NO.	BY:	DATE:	5-10
1			3			TOTAL SHEETS
2			4			22

DRAWN BY: R. W. WRIGHT DATE: 2-17-05  
 CHECKED BY: B. C. HANKS DATE: 2-24-05