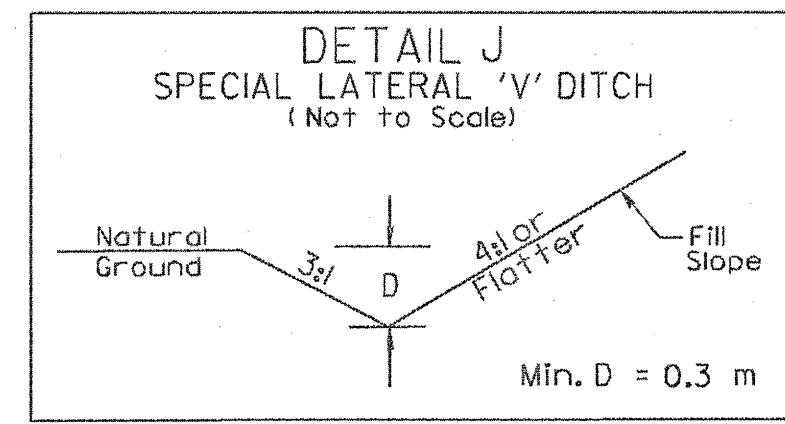
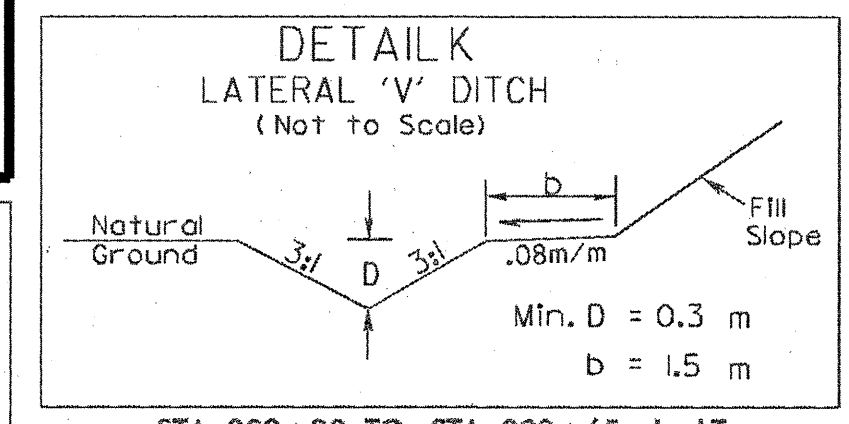


REVISIONS	
I.	REVISED PER BRMSD COMMENTS 2/28/05

$\Delta = 3' 18" 30.0" (LT)$   
 $L_s = 51.000$   
 $LT = 34.000$   
 $ST = 17.000$

$\Delta = 3' 18" 30.0" (LT)$   
 $L = 115.482$   
 $T = 57.757$   
 $R = 2000.000$   
 $S.E. = .03$

$\Delta = 0' 43' 49.9" (LT)$   
 $L_s = 51.000$   
 $LT = 34.000$   
 $ST = 17.000$



STA 202+67 TO STA 203+40 -L- LT  
 STA 10+80 TO STA 11+01.5 -Y7-

PAMLICO COUNTY  
 DB 229 - PG 334

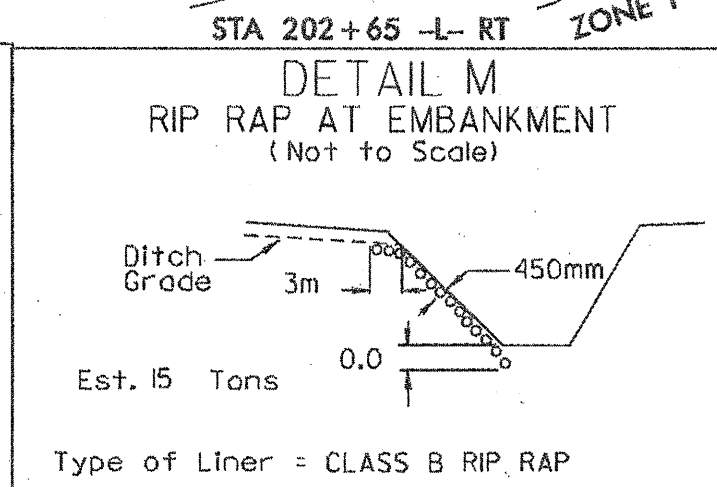
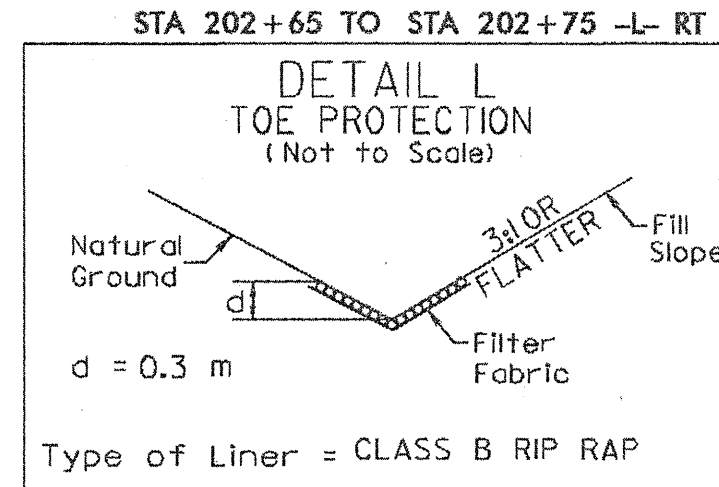
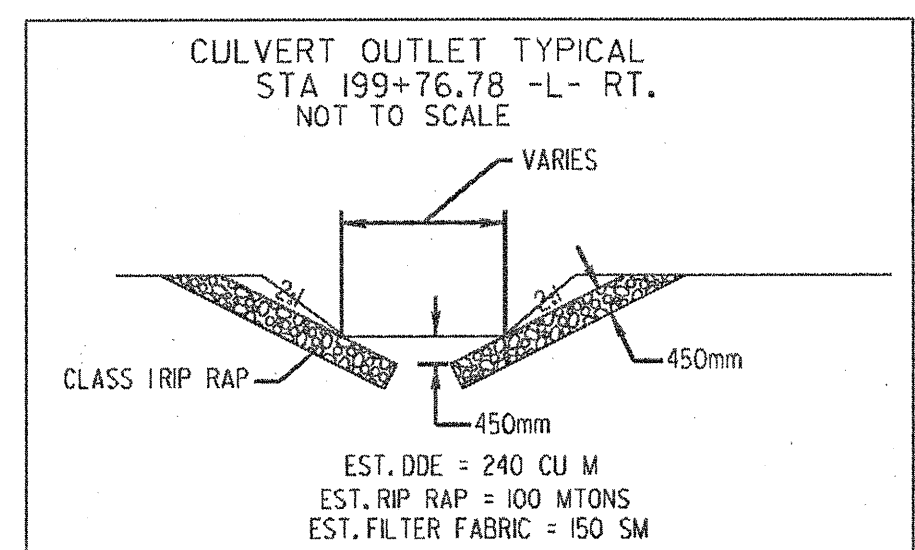
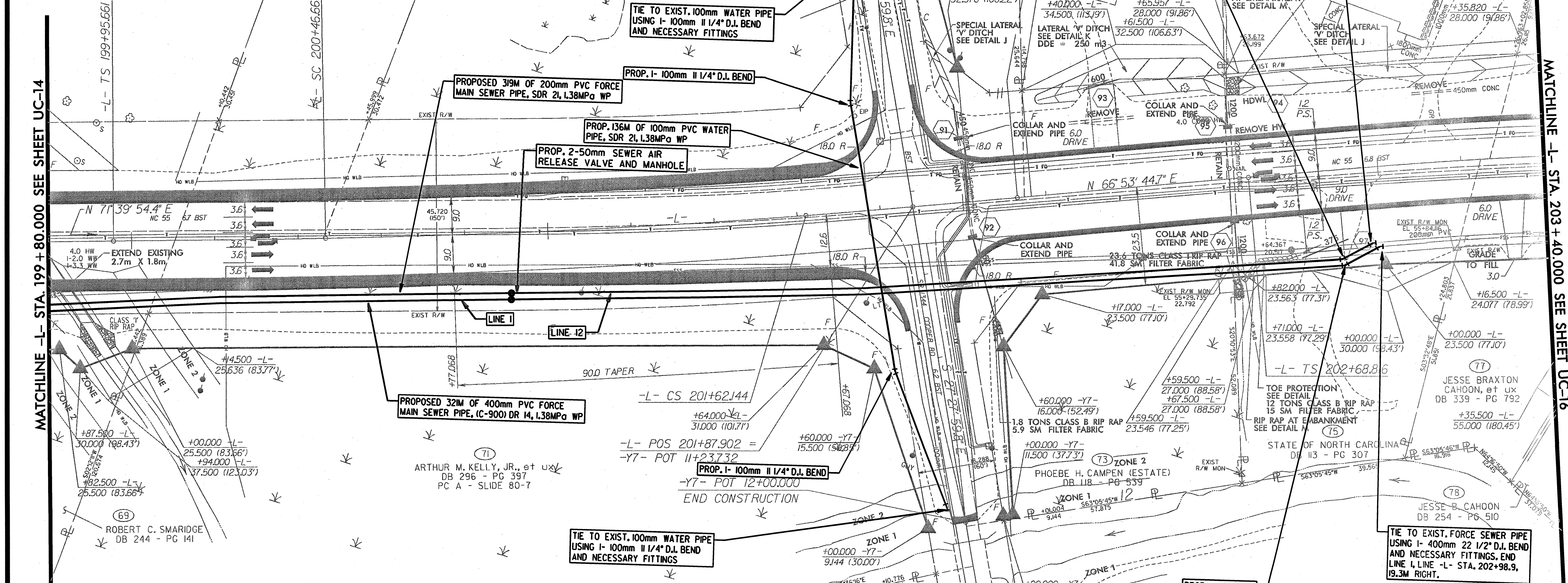
JESSE F. HILL, et ux  
 DB 232 - PG 619

ARTHUR M. KELLY, JR., et ux  
 DB 296 - PG 397  
 PC A - SLIDE 80-7

TIE TO EXIST. FORCE SEWER PIPE  
 USING 1- 200mm 22 1/2" D.I. BEND  
 AND NECESSARY FITTINGS. END  
 LINE 12, LINE -L- STA. 202+97.3,  
 18.3M RIGHT.

MATCHLINE -L- STA. 199 + 80.000 SEE SHEET UC-14

MATCHLINE -L- STA. 203 + 40.000 SEE SHEET UC-16



$\Delta = 2' 10" 34.6" (RT)$   
 $L_s = 102.000$   
 $LT = 68.031$   
 $ST = 34.028$

$\Delta = 2' 10" 34.6" (RT)$   
 $L = 203.278$   
 $T = 102.812$   
 $R = 550.000$   
 $S.E. = .04$

PROJECT REFERENCE NO. R-2539C  
 SHEET NO. UC-15  
 R/W SHEET NO.

METRIC  
 5 0 10  
 CONST. REV.  
 R/W REV.

Municipal Engineering Services Company, P.A.  
 P.O. Box 117, Cary, NC 27513  
 P.O. Box 117, Cary, NC 27513

JAMES D. WOODIE  
 ENGINEER  
 3/16/2005

UTILITY CONSTRUCTION DRAWINGS  
 LAHOUN, et ux DB 339 - PG 792  
 S05°24'34"W 90.289'