

REVISIONS

I. ADDED AIR VENT DETAIL 3-3-05



PROJECT REFERENCE NO. R-2539C SHEET NO. UC-29

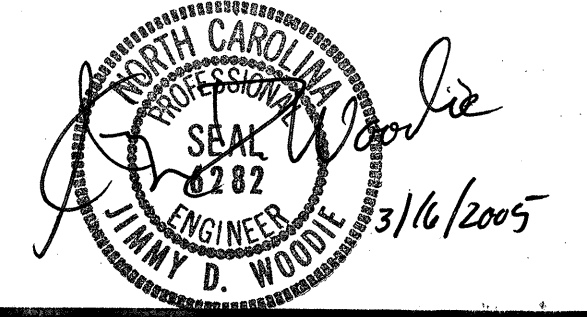
R/W SHEET NO.



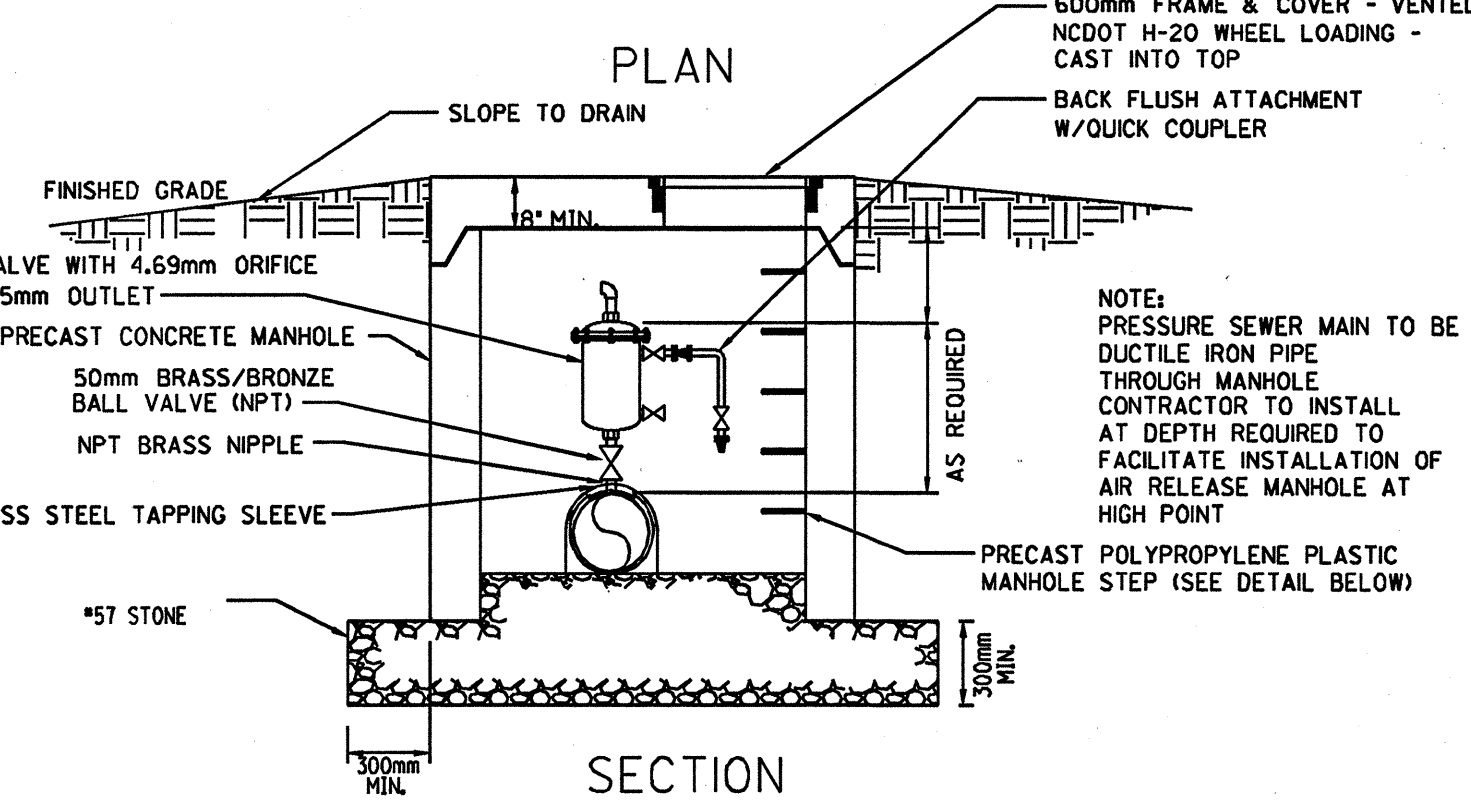
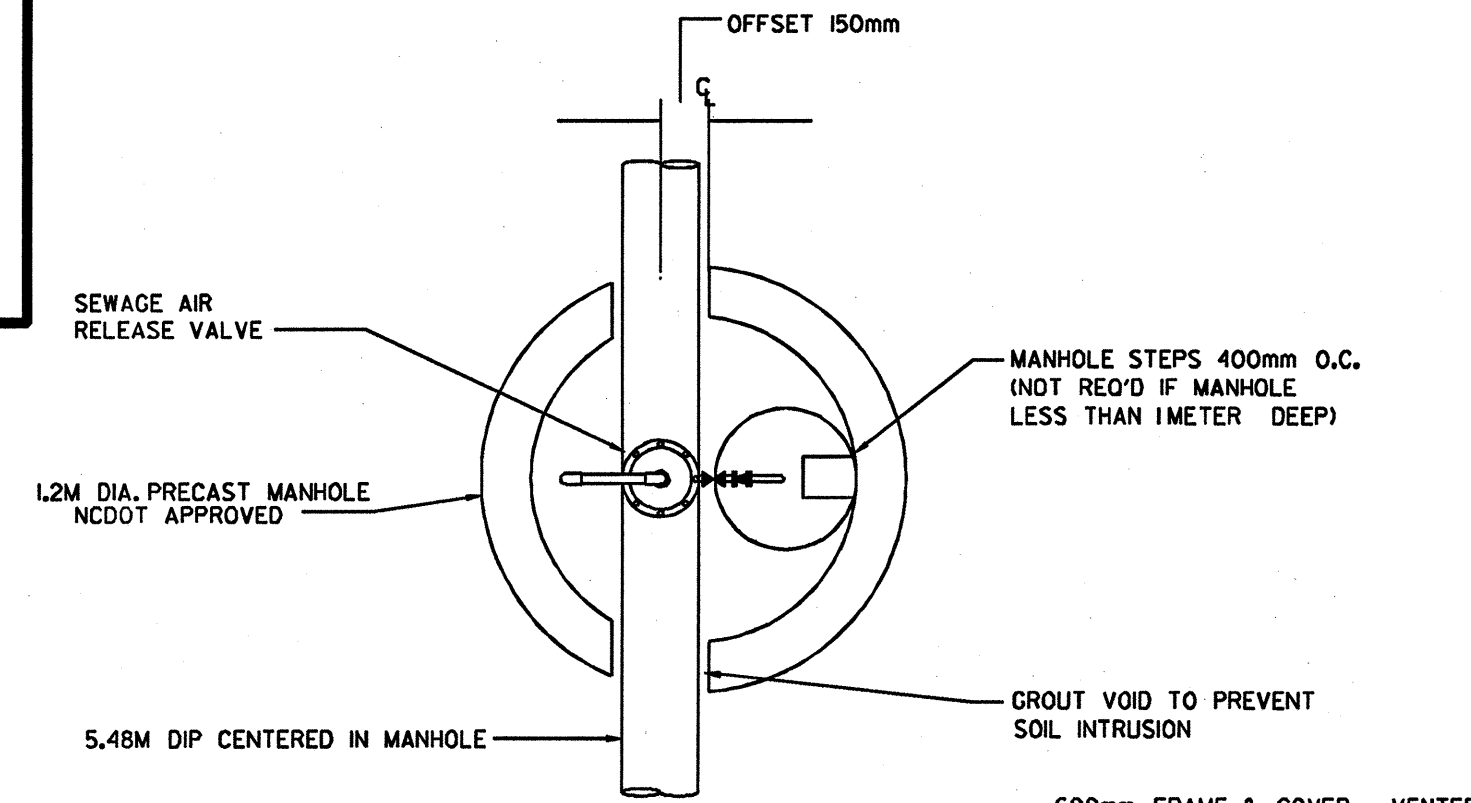
NOT TO SCALE

CONST.REV.

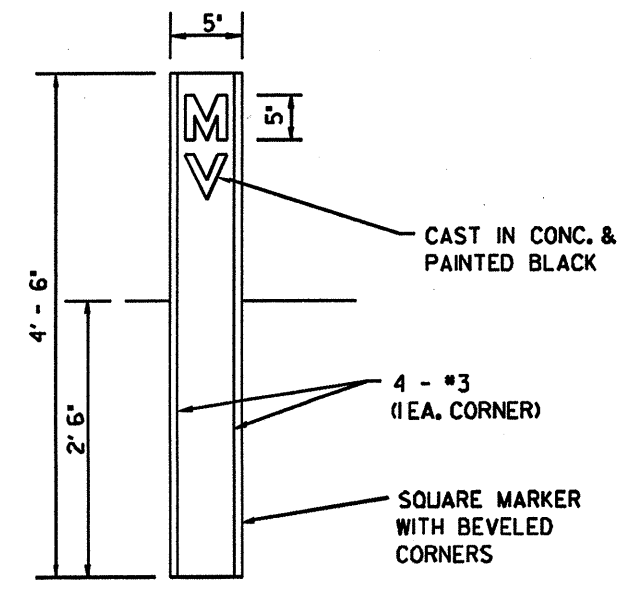
R/W REV.



UTILITY CONSTRUCTION DRAWINGS

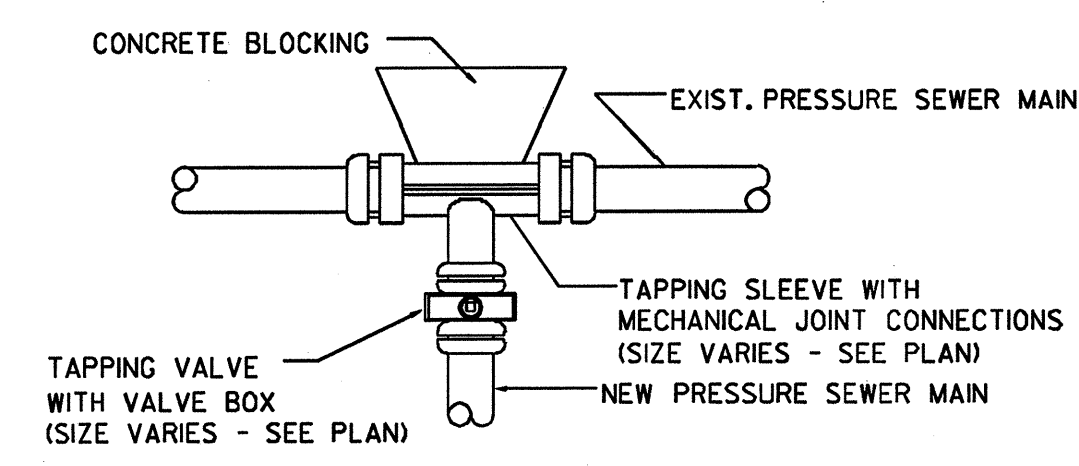


SEWAGE AIR RELEASE VALVE IN MANHOLE  
NOT TO SCALE

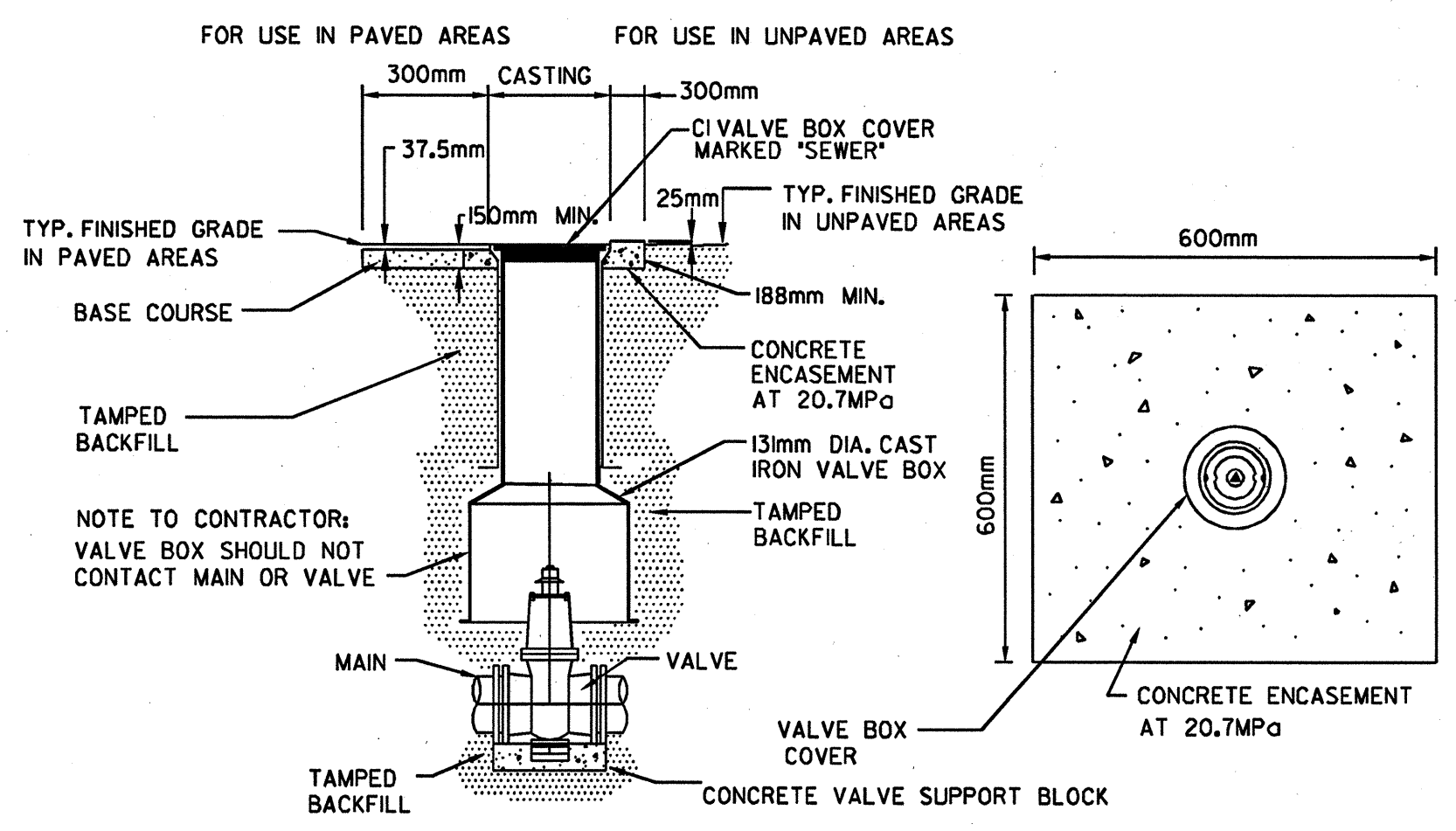


I. INSTALL (1) CONCRETE VALVE MARKER AT LOCATION OF EACH NEW MAIN LINE OR LATERAL VALVE.

VALVE MARKER DETAIL  
NOT TO SCALE

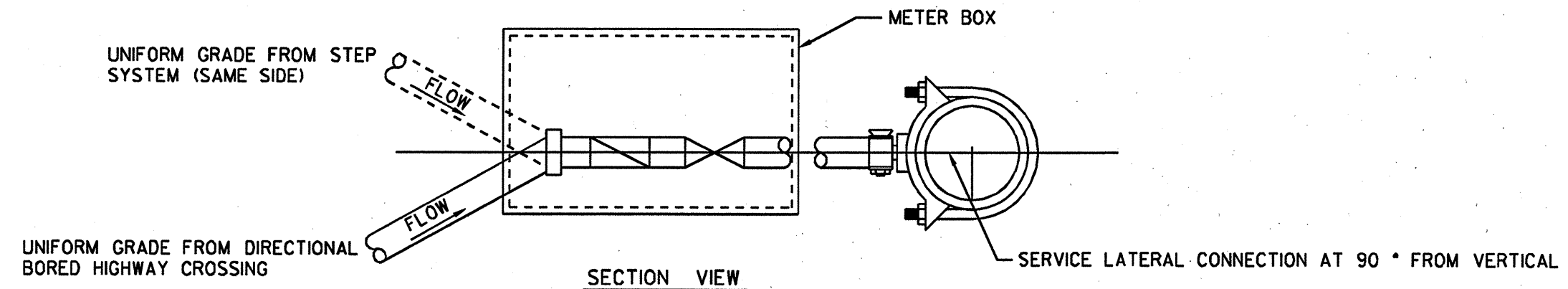
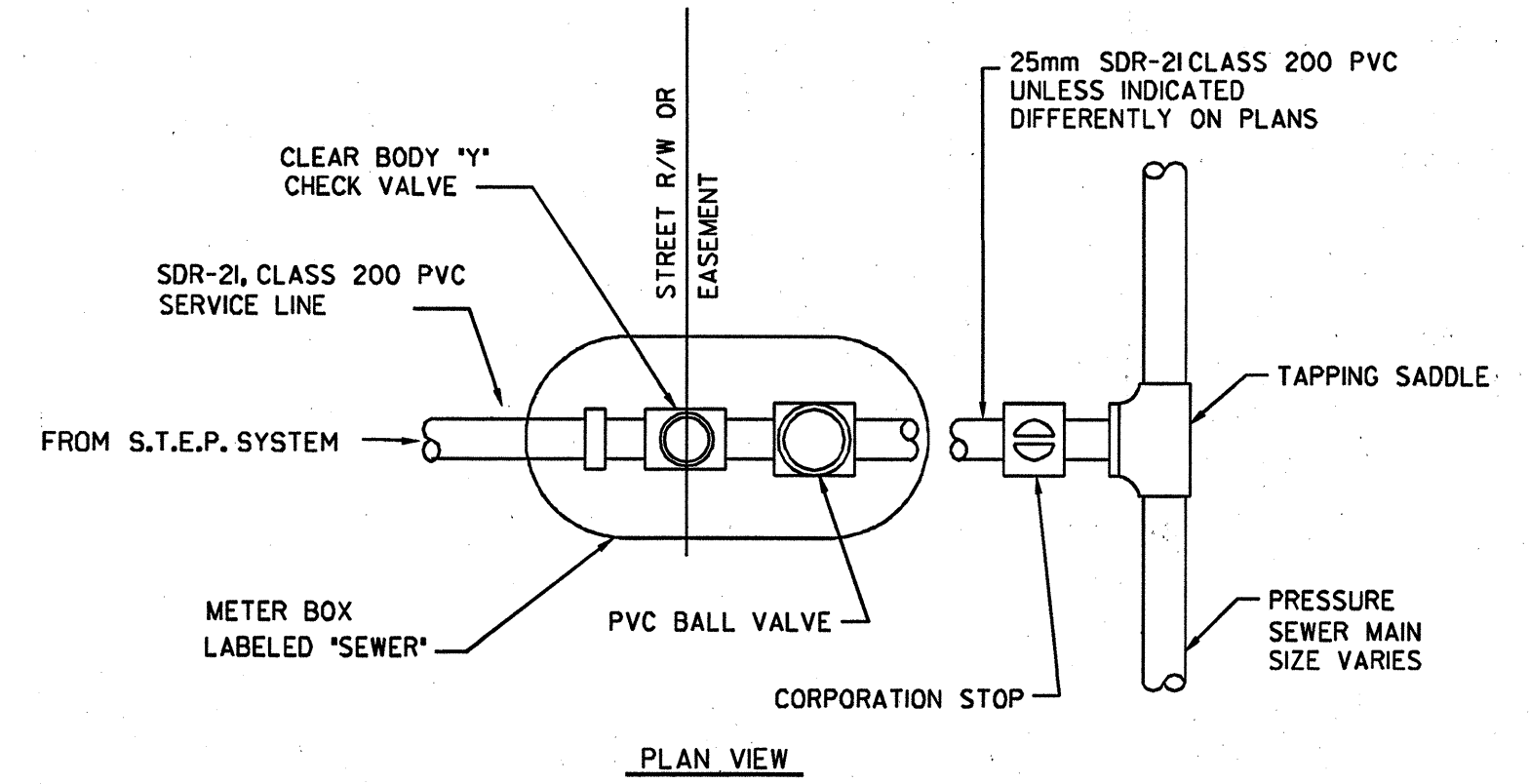


TAPPING SLEEVE & VALVE ASSEMBLY  
NOT TO SCALE



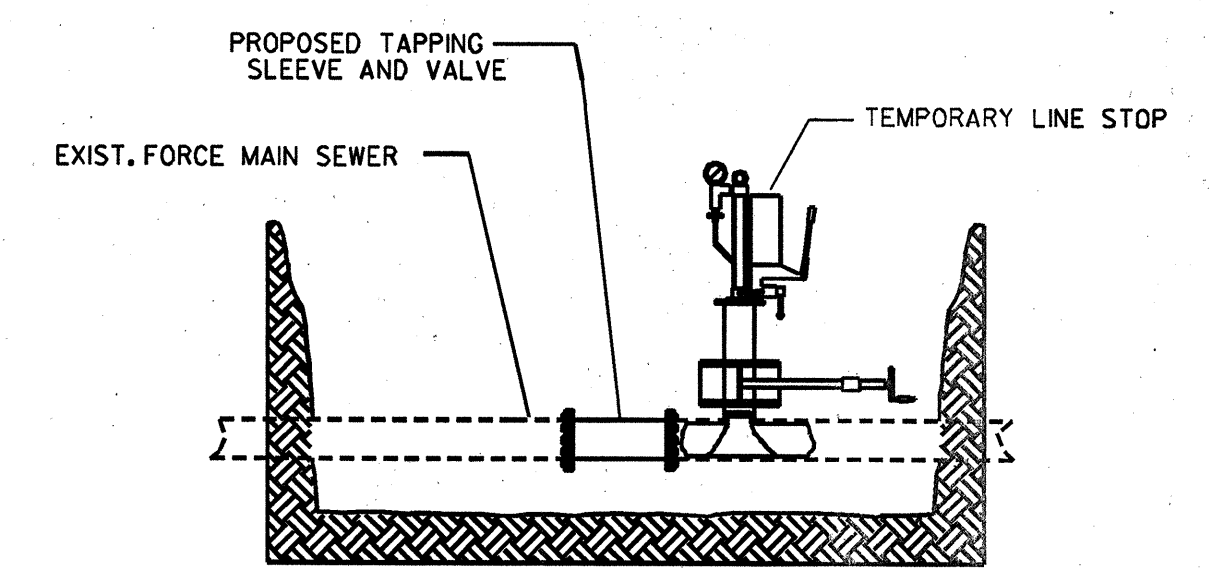
NOTES:  
1. D.I.P. MAY BE USED FOR VALVE BOX EXTENSIONS.  
2. CONCRETE DOUGHNUTS APPROVED BY THE ENGINEER MAY BE USED IN UNPAVED AREAS.

VALVE BOX & VALVE BOX INSTALLATION  
NOT TO SCALE

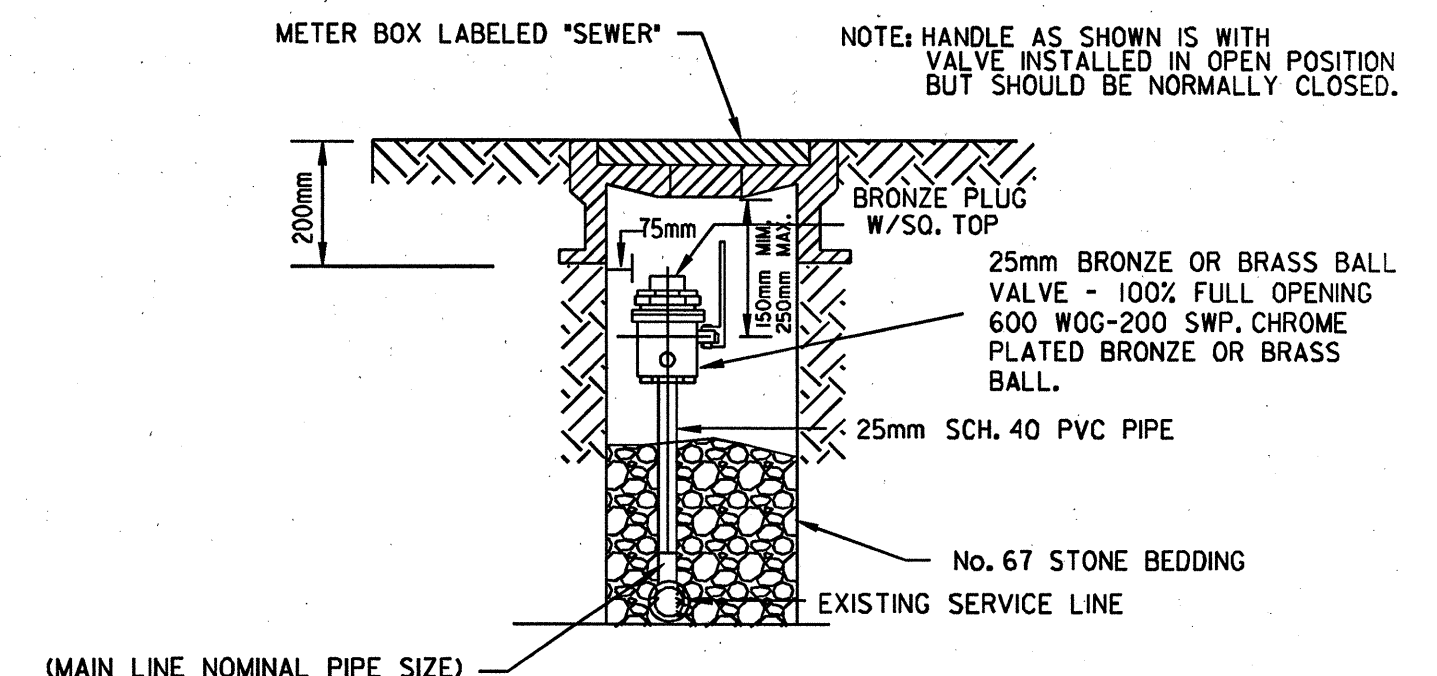


- NOTES:
- SERVICE SIZE SHALL BE " UNLESS OTHERWISE SHOWN.
  - 100mm DEPTH OF #57 STONE IS REQUIRED BELOW BOXES AS FOUNDATION
  - COORDINATE LOCATION OF ALL SERVICES WITH THE ENGINEER.
  - PRESSURE SEWER MAIN SAME SIDE OF HIGHWAY; MAINTAIN 1 METER MINIMUM COVER UNDER EXISTING DITCHES AND PROPOSED DITCHES WITHIN NC 55 ROW. PRESSURE SEWER MAIN OPPOSITE SIDE OF HIGHWAY; ALL OPPOSITE SIDE SERVICES TO BE DRY-BORED MAINTAIN 0.91 METER MINIMUM COVER UNDER HIGHWAY PAVEMENT AND MINIMUM 1 METER COVER UNDER DITCHES.

SERVICE/LATERAL CONNECTION  
NOT TO SCALE



LINE STOP AND PLUG  
NOT TO SCALE



AIR VENT  
NOT TO SCALE

DATE PLOTTED: 03/16/2005 10:58:11 AM