

REVISIONS



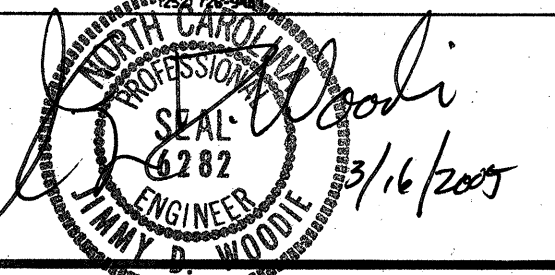
PROJECT REFERENCE NO. R-2539C SHEET NO. UC-40

R/W SHEET NO.

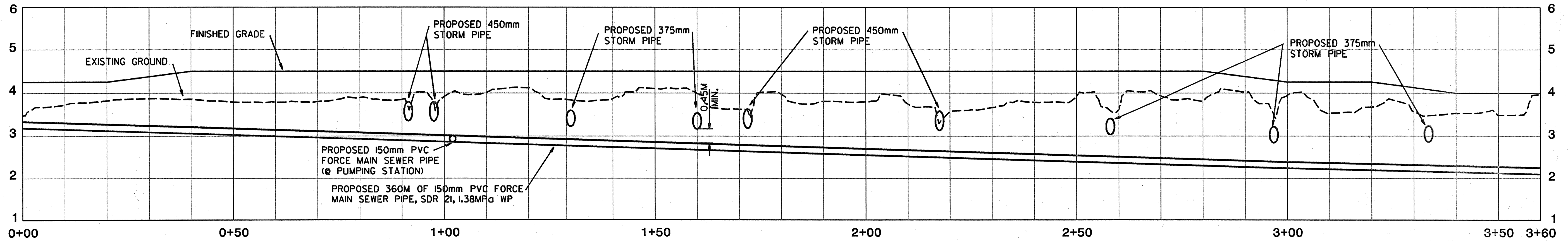
SCALE:
HORIZONTAL: 1:500
VERTICAL: 1:50



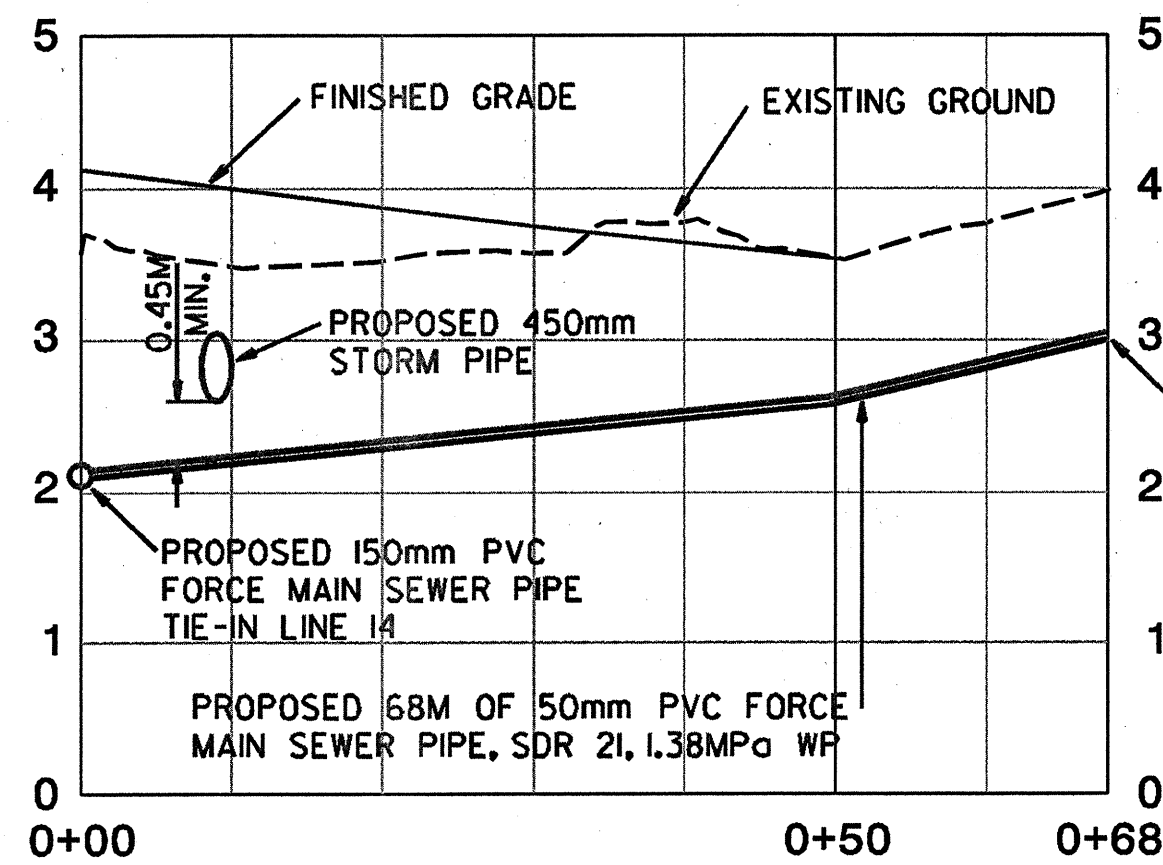
CONST. REV.
R/W REV.



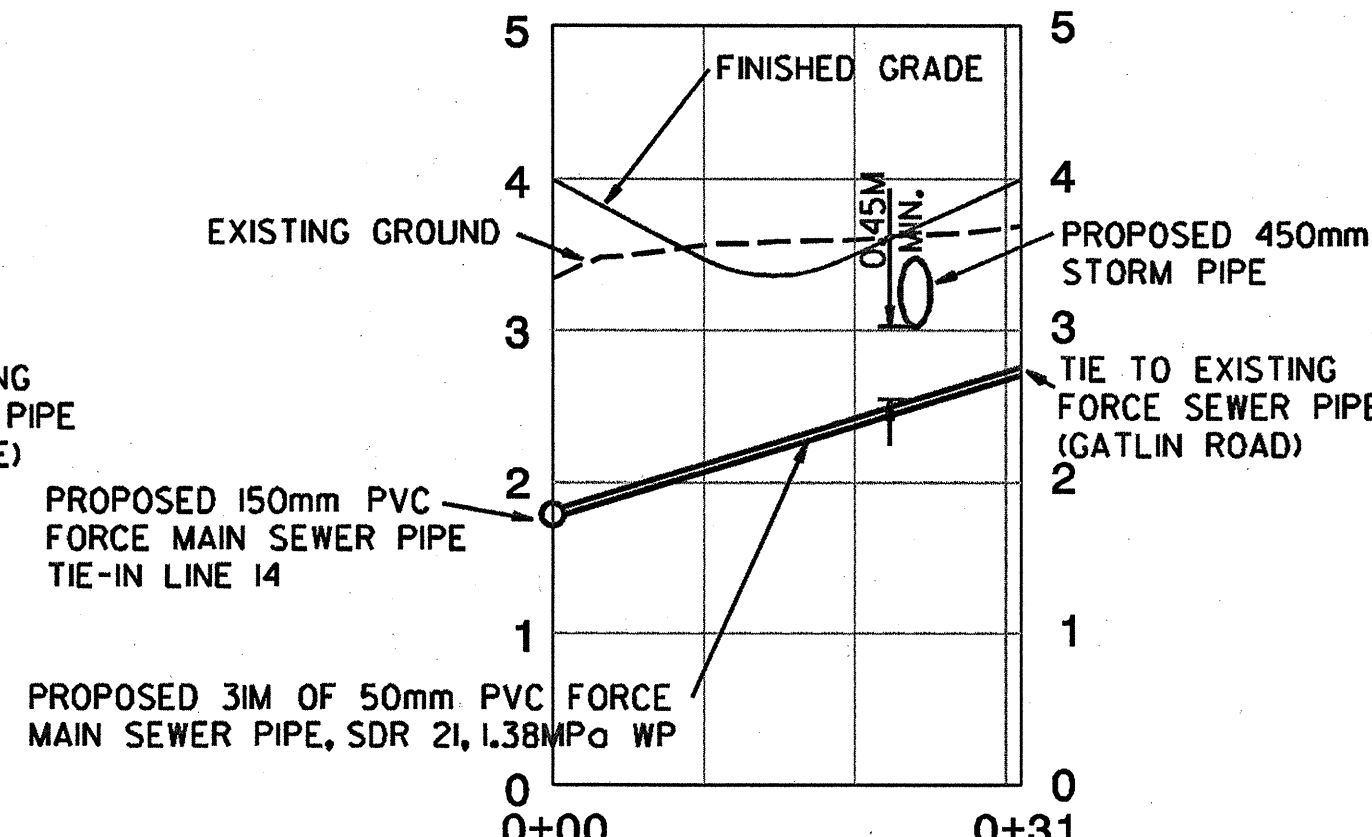
UTILITY CONSTRUCTION DRAWINGS



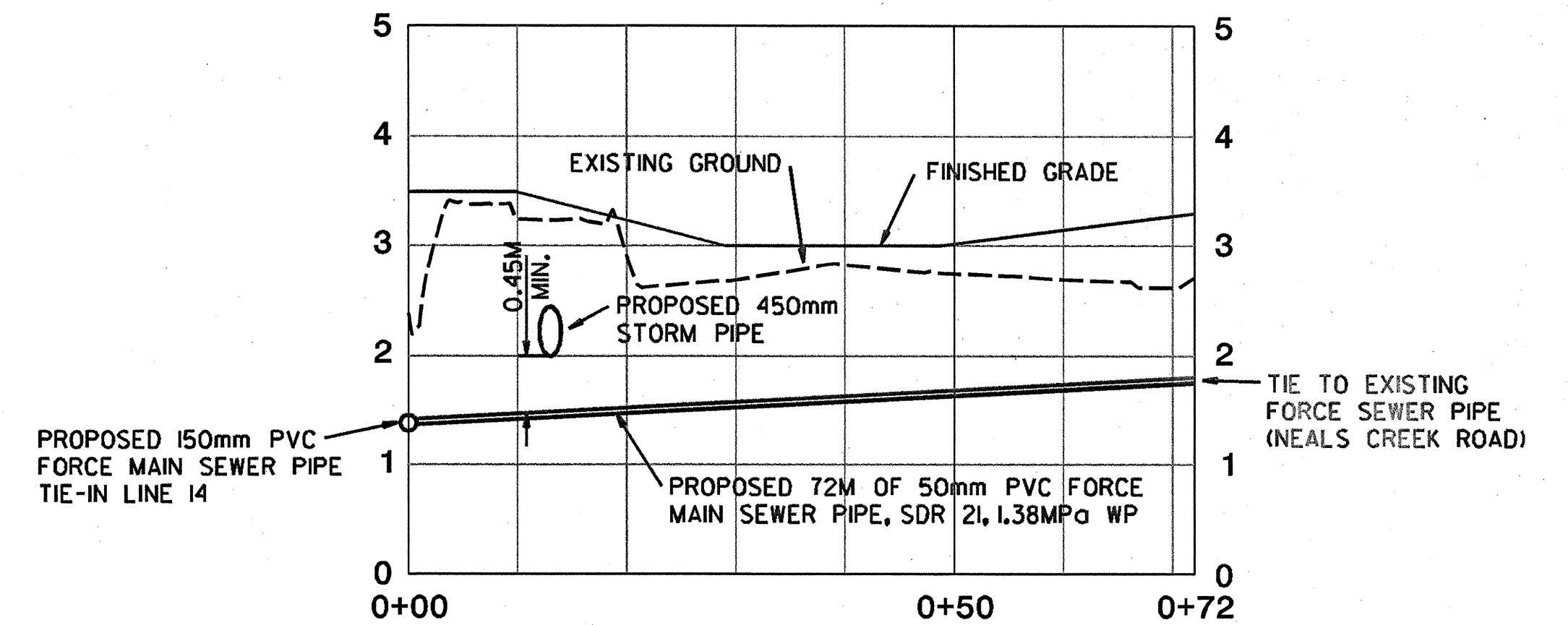
UC-20 LINE 14



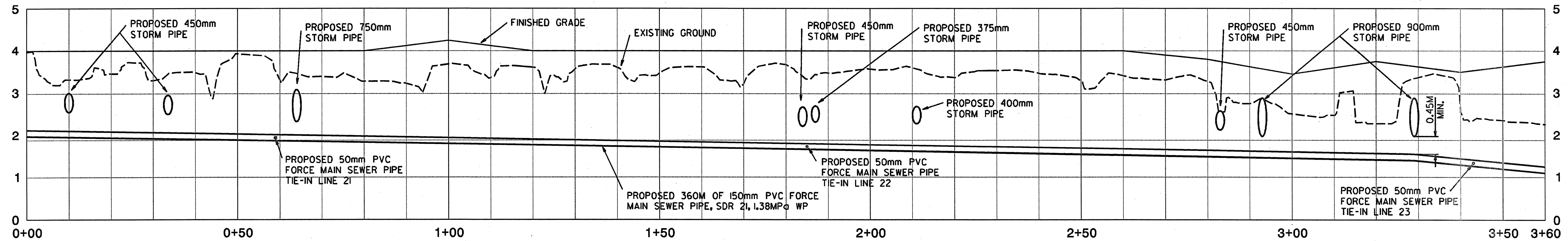
UC-21 LINE 21



UC-21 LINE 22



UC-21 LINE 23



UC-21 LINE 14