

REVISIONS

METRIC

PROJECT REFERENCE NO. R-2539C SHEET NO. 2-A

R/W SHEET NO.

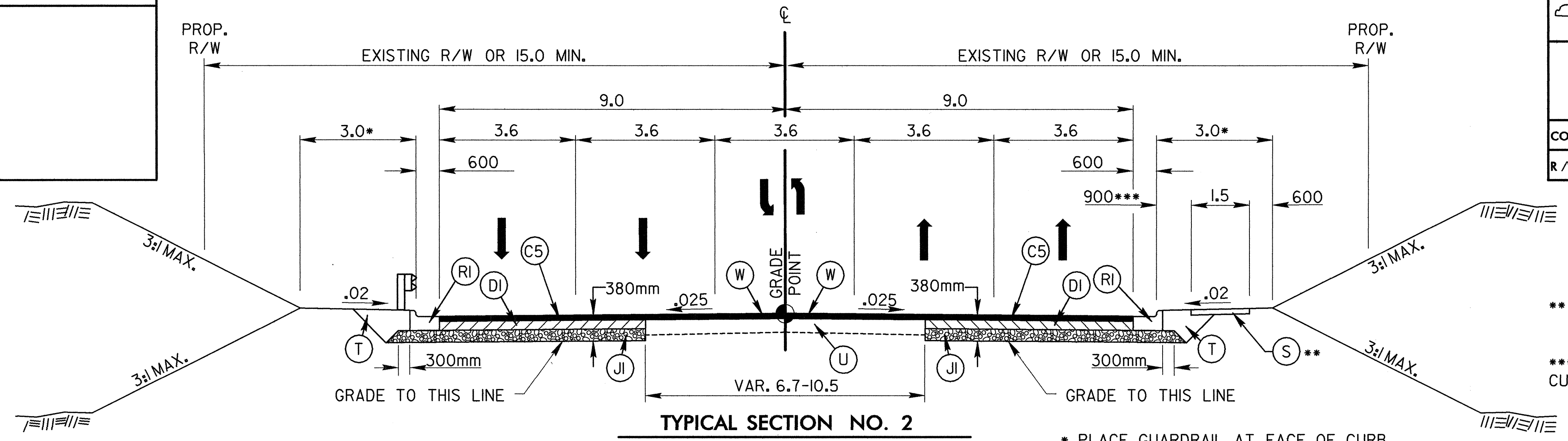
ROADWAY DESIGN ENGINEER
 NORTH CAROLINA PROFESSIONAL SEAL 18508
 ANNA C. KEEFER

PAVEMENT DESIGN ENGINEER
 NORTH CAROLINA PROFESSIONAL SEAL 13368
 CHEN CHEN

CONST. REV.
 R/W REV.

9-29-04

GREENHORNE & O'MARA, INC.
 5565 CENTERVIEW DRIVE, SUITE 107
 RALEIGH, NORTH CAROLINA 27606
 (919) 851-1919



TYPICAL SECTION NO. 2
 STA. 165+73.000 -L- TO STA. 168+96.471 -L- (RT SIDE)
 STA. 166+31.422 -L- TO STA. 167+55.492 -L- (LT SIDE)
 STA. 168+96.471 -L- TO STA. 175+65.000 -L-
 STA. 203+70.816 -L- TO STA. 206+20.000 -L-
 * PLACE GUARDRAIL AT FACE OF CURB WHERE REQUIRED.

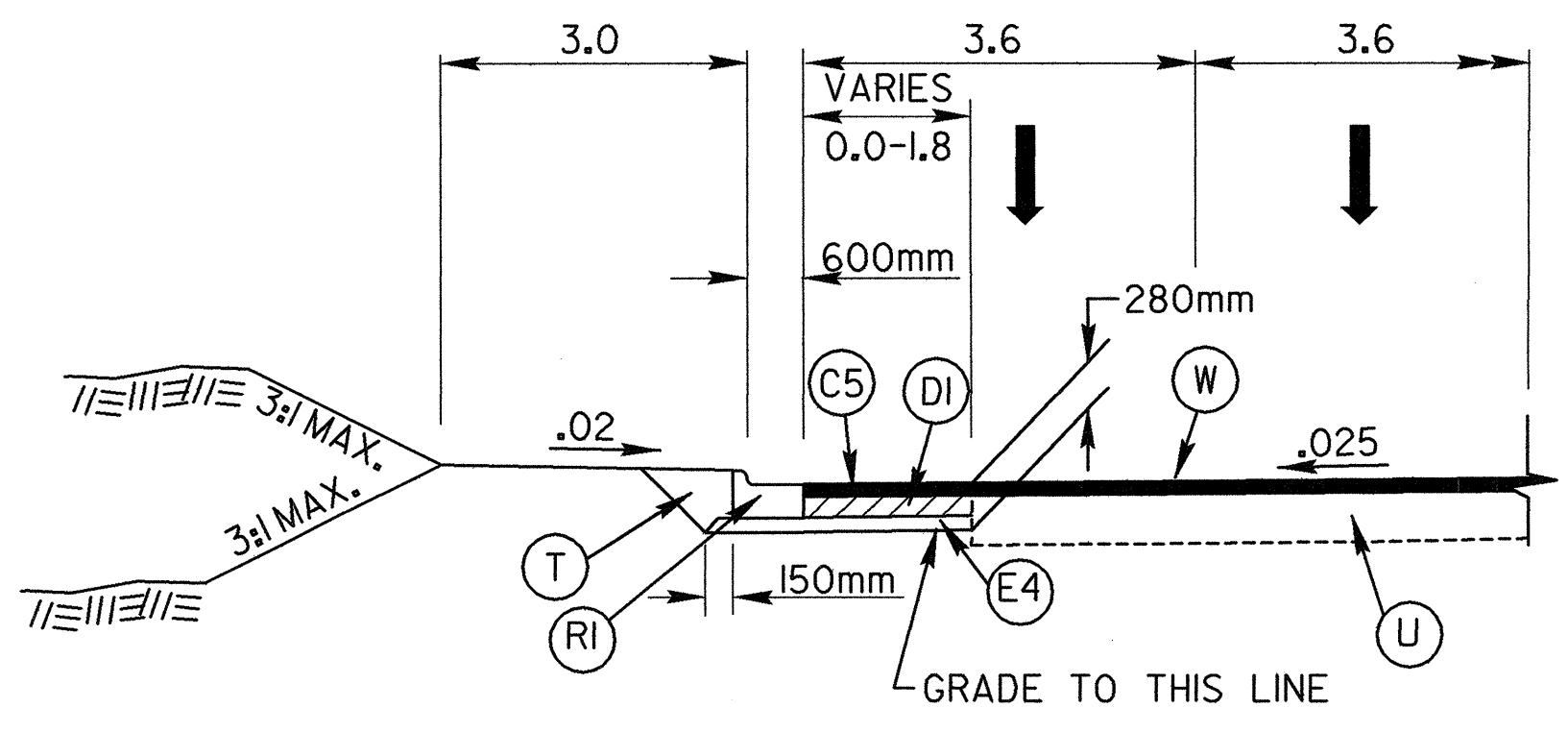
** SEE PLANS FOR SIDEWALK LOCATIONS

*** SIDEWALK 1.2 FROM FACE OF CURB FROM STA. 205+62.947 TO STA. 206+11.504 (RT. SIDE)

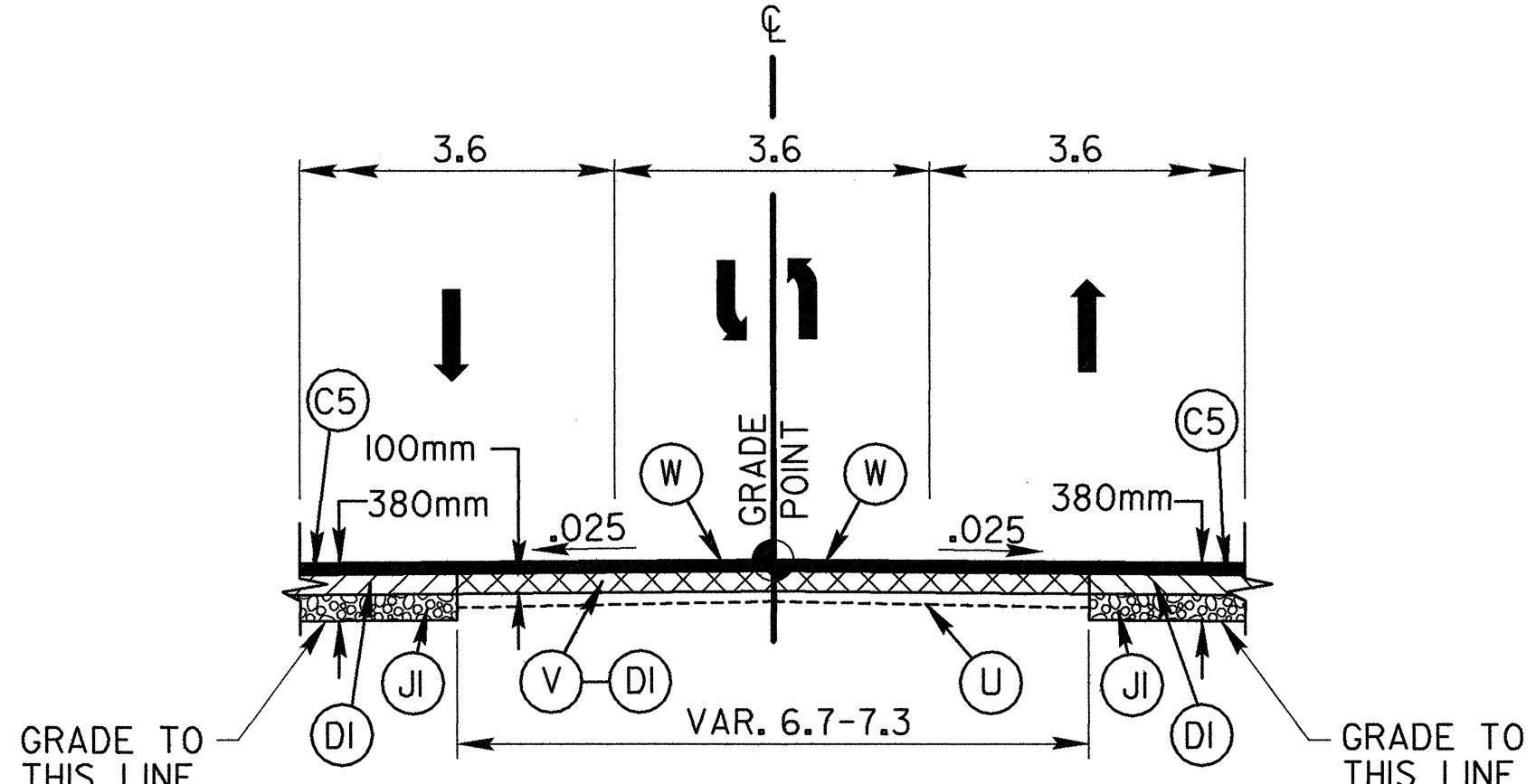
ABBREVIATED PAVEMENT SCHEDULE

C1	40 mm ASPHALT CONC. SURFACE COURSE, TYPE S9.5B
C2	80 mm ASPHALT CONC. SURFACE COURSE, TYPE S9.5B
C3	VAR. DEPTH ASPHALT CONC. SURFACE COURSE, TYPE S9.5B
C4	40 mm ASPHALT CONC. SURFACE COURSE, TYPE S9.5C
C5	80 mm ASPHALT CONC. SURFACE COURSE, TYPE S9.5C
C6	VAR. DEPTH ASPHALT CONC. SURFACE COURSE, TYPE S9.5C
D1	100 mm ASPHALT CONC. INTERMEDIATE COURSE, TYPE I19.0C
D2	VAR. DEPTH ASPHALT CONC. INTERMEDIATE COURSE, TYPE I19.0C
E1	100 mm ASPHALT CONC. BASE COURSE, TYPE B25.0B
E2	120 mm ASPHALT CONC. BASE COURSE, TYPE B25.0B
E3	VAR. DEPTH ASPHALT CONC. BASE COURSE, TYPE B25.0B
E4	100 mm ASPHALT CONC. BASE COURSE, TYPE B25.0C
E5	VAR. DEPTH ASPHALT CONC. BASE COURSE, TYPE B25.0C
J1	200 mm AGGREGATE BASE COURSE
J2	VAR. DEPTH AGGREGATE BASE COURSE
R1	750 mm CONCRETE CURB AND GUTTER
R2	1200 mm CONCRETE EXPRESSWAY GUTTER
S	100 mm CONCRETE SIDEWALK
T	EARTH MATERIAL
U	EXISTING PAVEMENT
V	MILLING (100mm)
W	WEDGING (SEE SHEET 2 FOR WEDGING DETAIL)

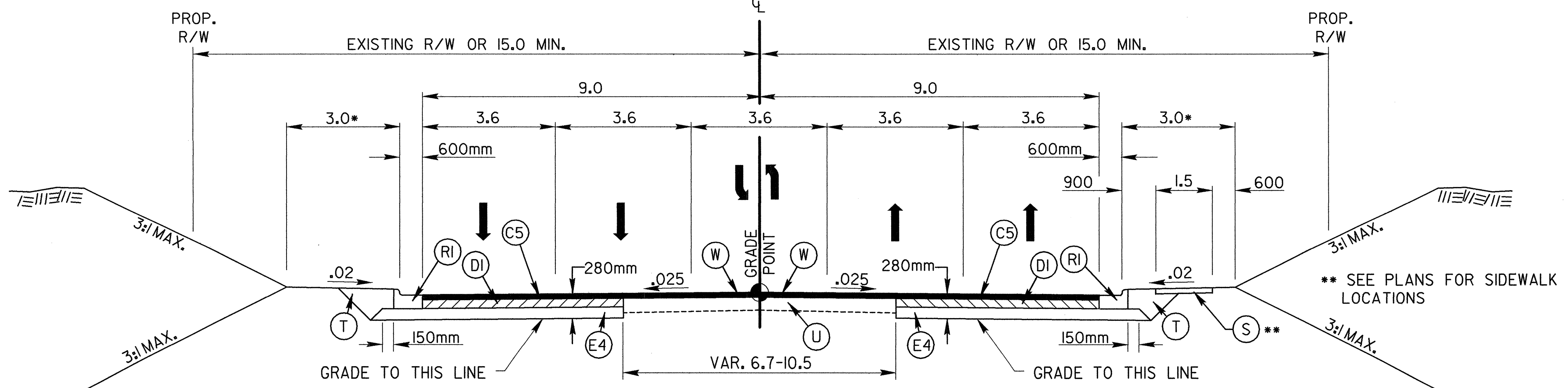
NOTE: SEE SHEET 2 FOR DETAILED PAVEMENT SCHEDULE



TYPICAL SECTION NO. 2-A
 (FOR NARROW WIDENING)
 STA. 167+55.492 -L- TO STA. 168+96.471 -L- (LT. SIDE)



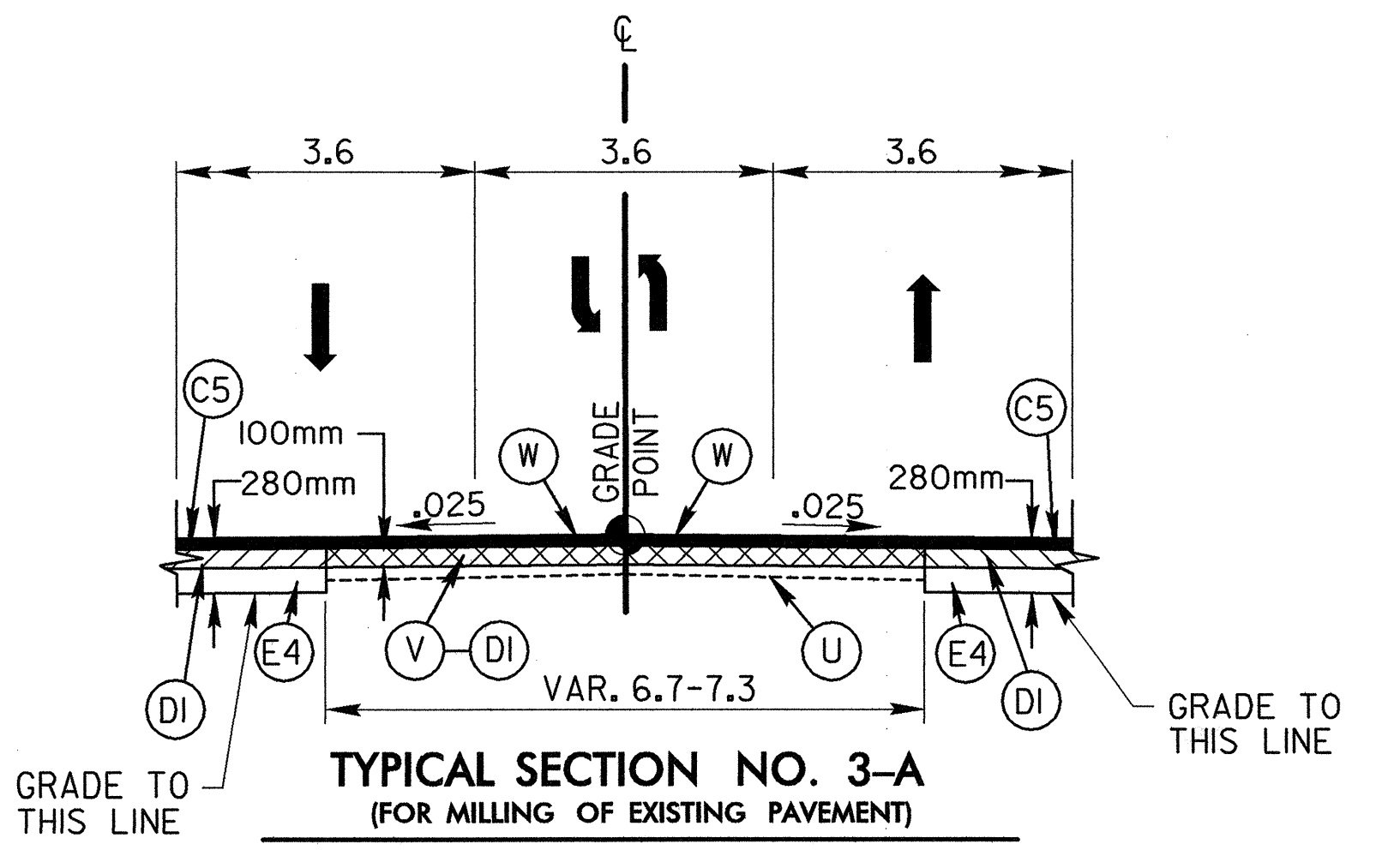
TYPICAL SECTION NO. 2-B
 (FOR MILLING OF EXISTING PAVEMENT)
 STA. 206+20.000 -L- TO STA. 207+75.000 -L-



UNIFORM TRANSITION FROM TYP. SECT. NO. 3 TO TYP. SECT. NO. 4 (5-LANE TO 4-LANE SECTION)
 STA. 229+50.000 -L- TO STA. 231+00.000 -L-

TYPICAL SECTION NO. 3
 STA. 209+20.000 -L- TO STA. 229+50.000 -L-

* PLACE GUARDRAIL AT FACE OF CURB WHERE REQUIRED.



TYPICAL SECTION NO. 3-A
 (FOR MILLING OF EXISTING PAVEMENT)
 STA. 207+75.000 -L- TO STA. 209+20.000 -L-

** SEE PLANS FOR SIDEWALK LOCATIONS