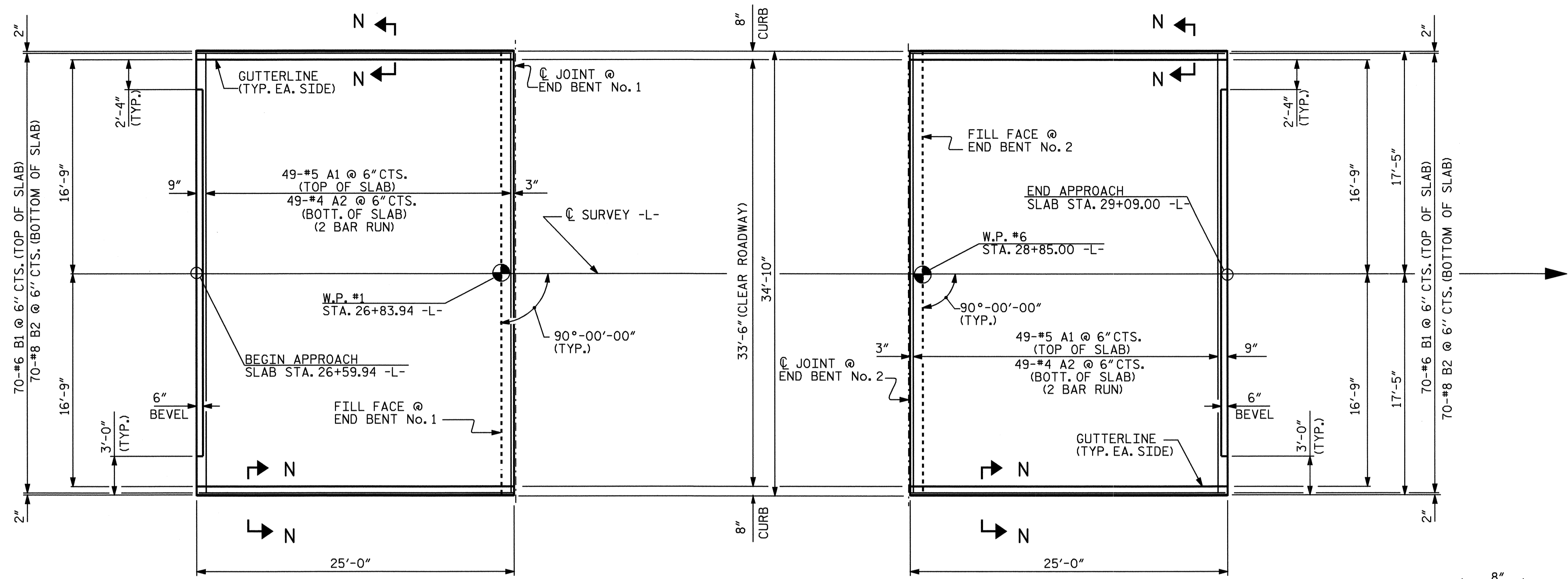


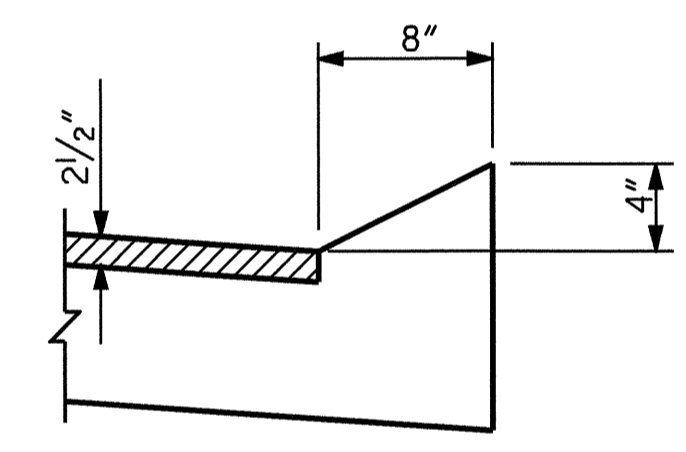
BILL OF MATERIAL					
FOR ONE APPROACH SLAB (2 REQ'D)					
BAR	NO.	SIZE	TYPE	LENGTH	WEIGHT
*A1	49	#5	STR	34'-6"	1763
A2	98	#4	STR	18'-2"	1189
*B1	70	#6	STR	24'-2"	2541
B2	70	#8	STR	24'-8"	4610
REINFORCING STEEL				LBS.	5799
*EPOXY COATED REINFORCING STEEL				LBS.	4304
CLASS AA CONCRETE				C. Y.	34.6



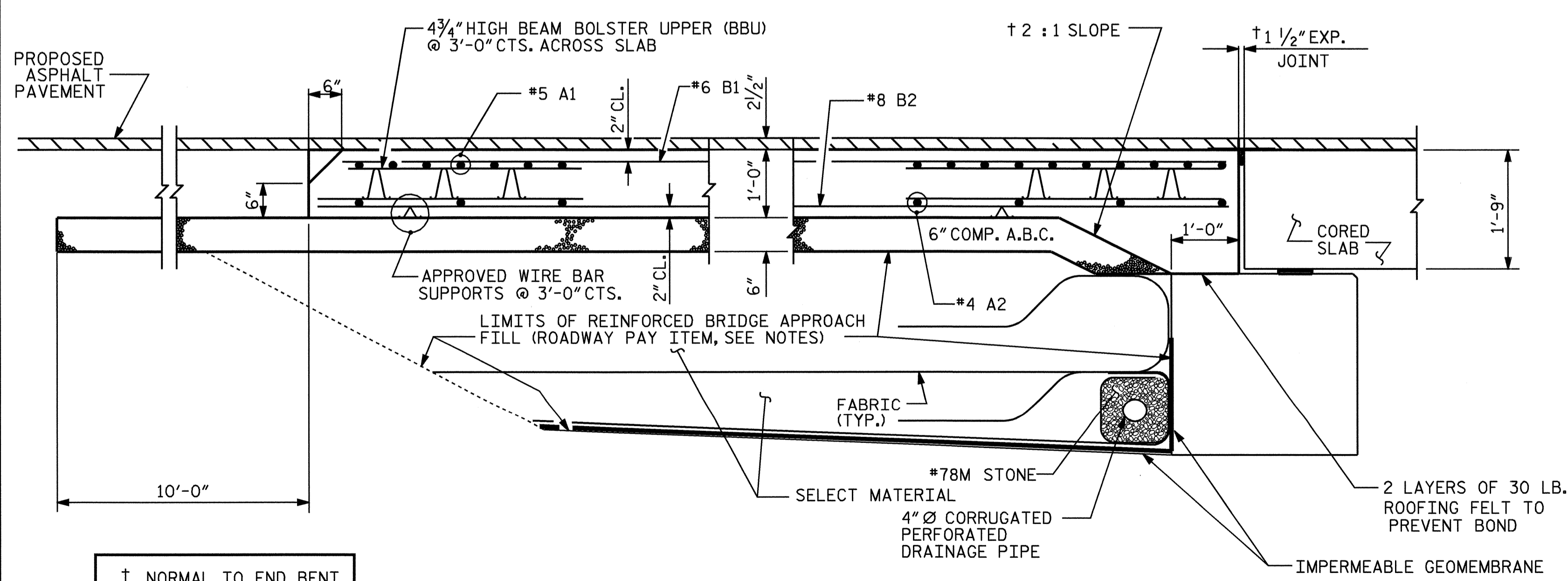
END BENT No. 1

END BENT No. 2

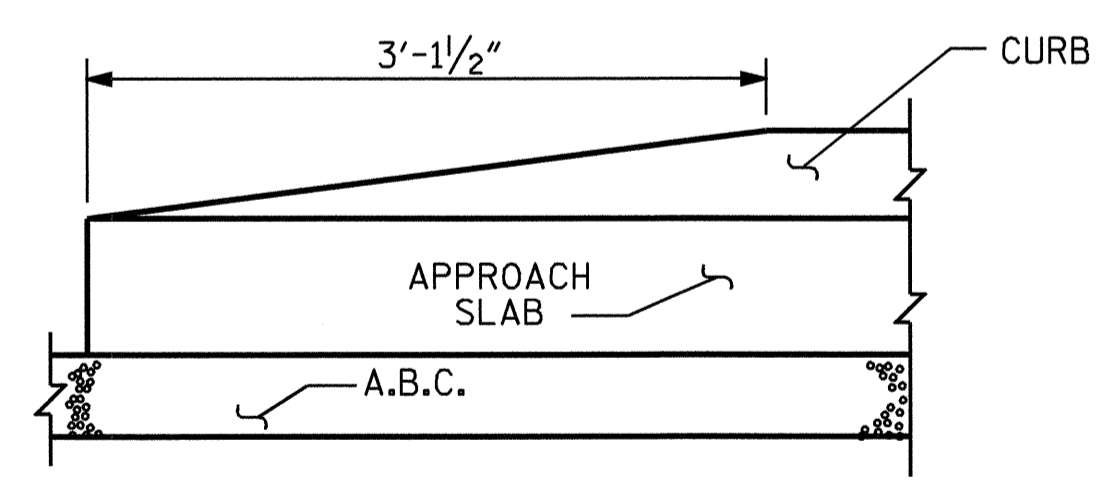
PLAN OF APPROACH SLAB



SECTION N-N



SECTION THRU SLAB



END OF CURB WITHOUT SHOULDER BERM GUTTER

CURB DETAILS

PROJECT NO. B-3682
ONSLOW COUNTY
 STATION: 27+84.47 -L-

SHEET 1 OF 2

STATE OF NORTH CAROLINA
 DEPARTMENT OF TRANSPORTATION
 RALEIGH
 STANDARD
 BRIDGE APPROACH SLAB
 FOR PRESTRESSED CONCRETE
 CORED SLAB WITH
 BARRIER RAIL



REVISIONS			SHEET NO.		
NO.	BY:	DATE:	NO.	BY:	DATE:
1			3		
2			4		

TOTAL SHEETS: 26

ASSEMBLED BY :	R. G. EMERSON	DATE :	05/04
CHECKED BY :	S. B. WILLIAMS	DATE :	05/04
DRAWN BY :	LES	8/01	REV. 10/17/00 RWW/LES
CHECKED BY :	RDR	8/01	REV. 7/10/01 LES/RDR
			REV. 5/7/03R RWW/JTE