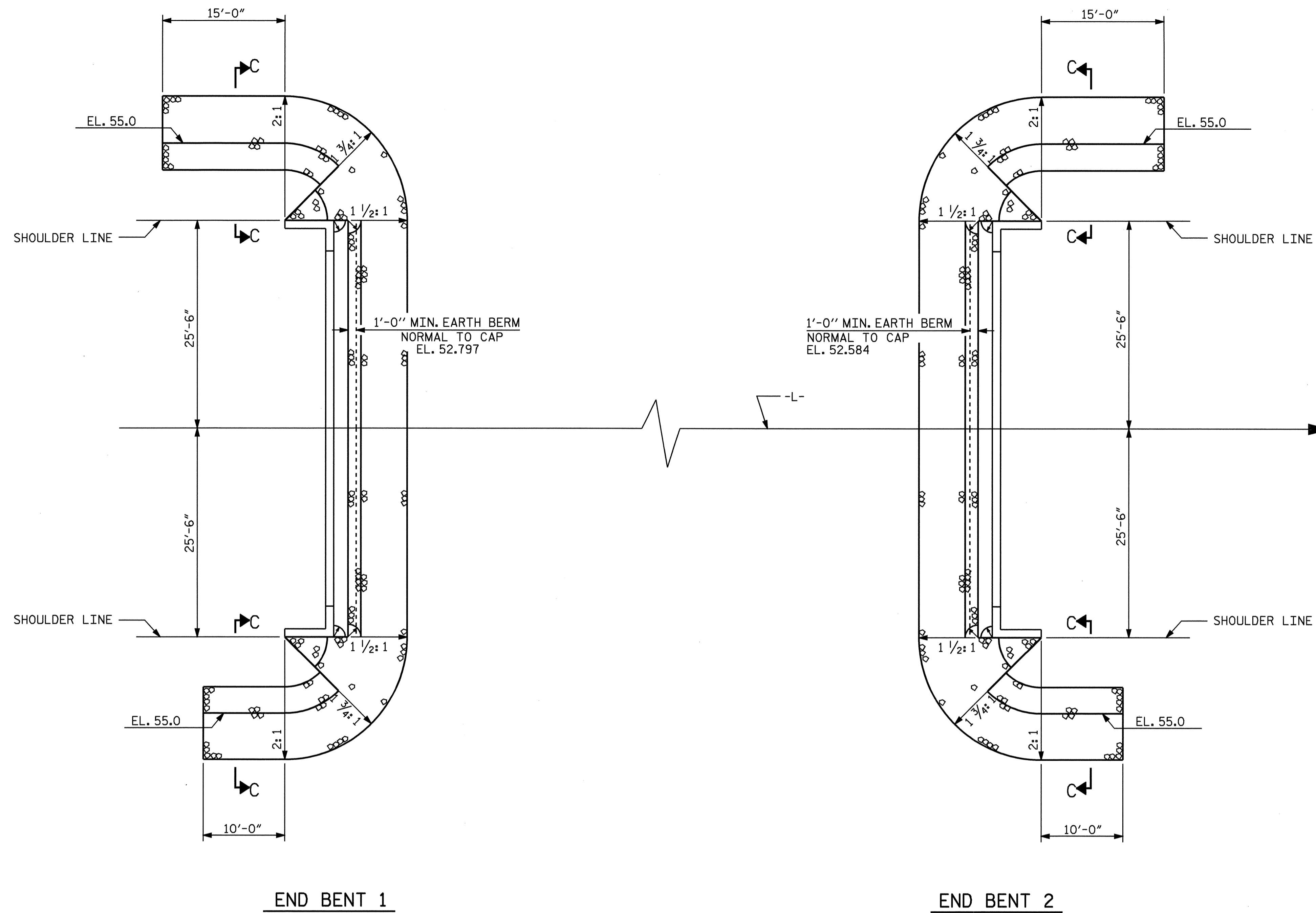
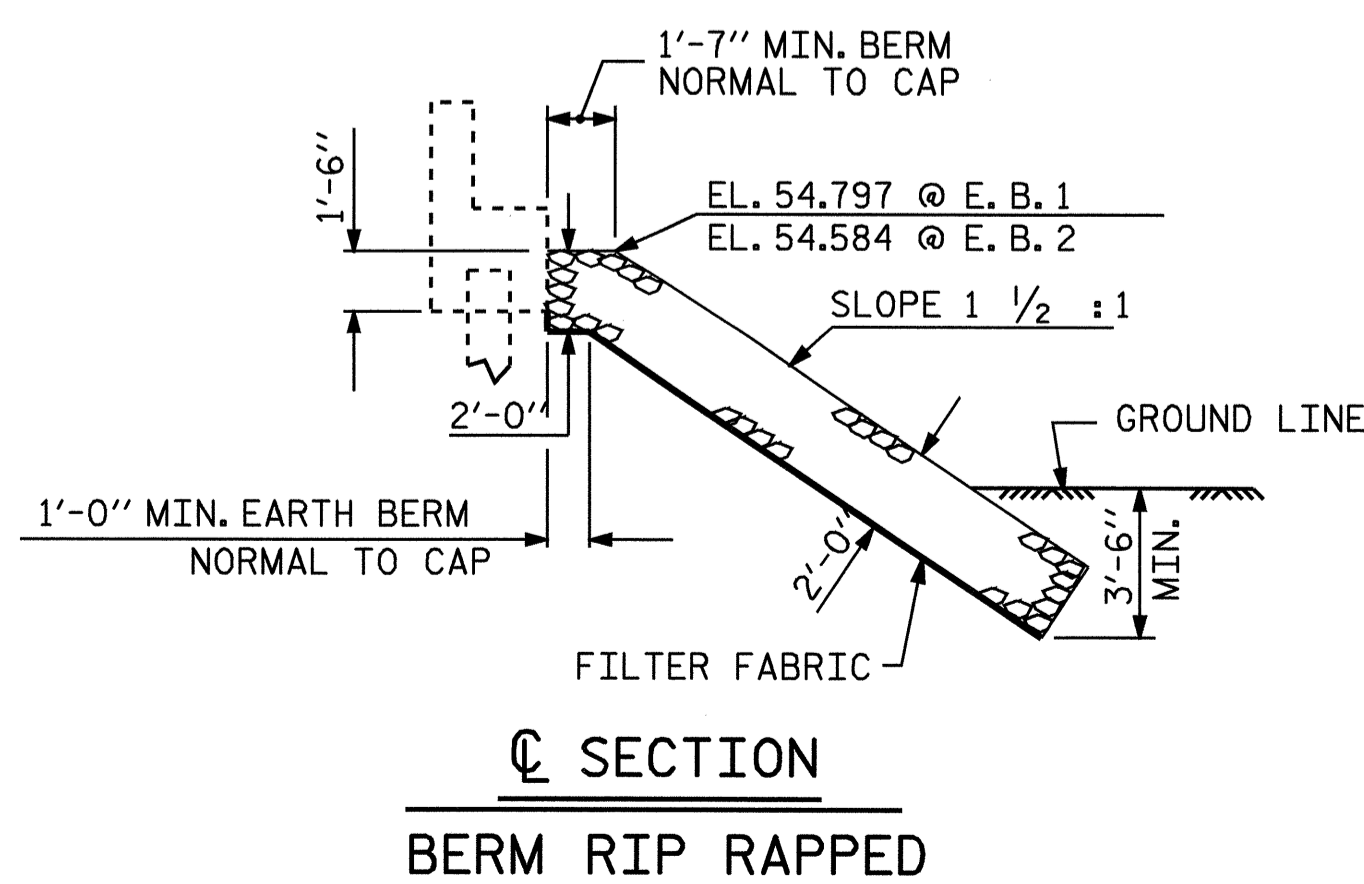


NOTES :
FOR BERM WIDTH DIMENSIONS, SEE GENERAL DRAWING.



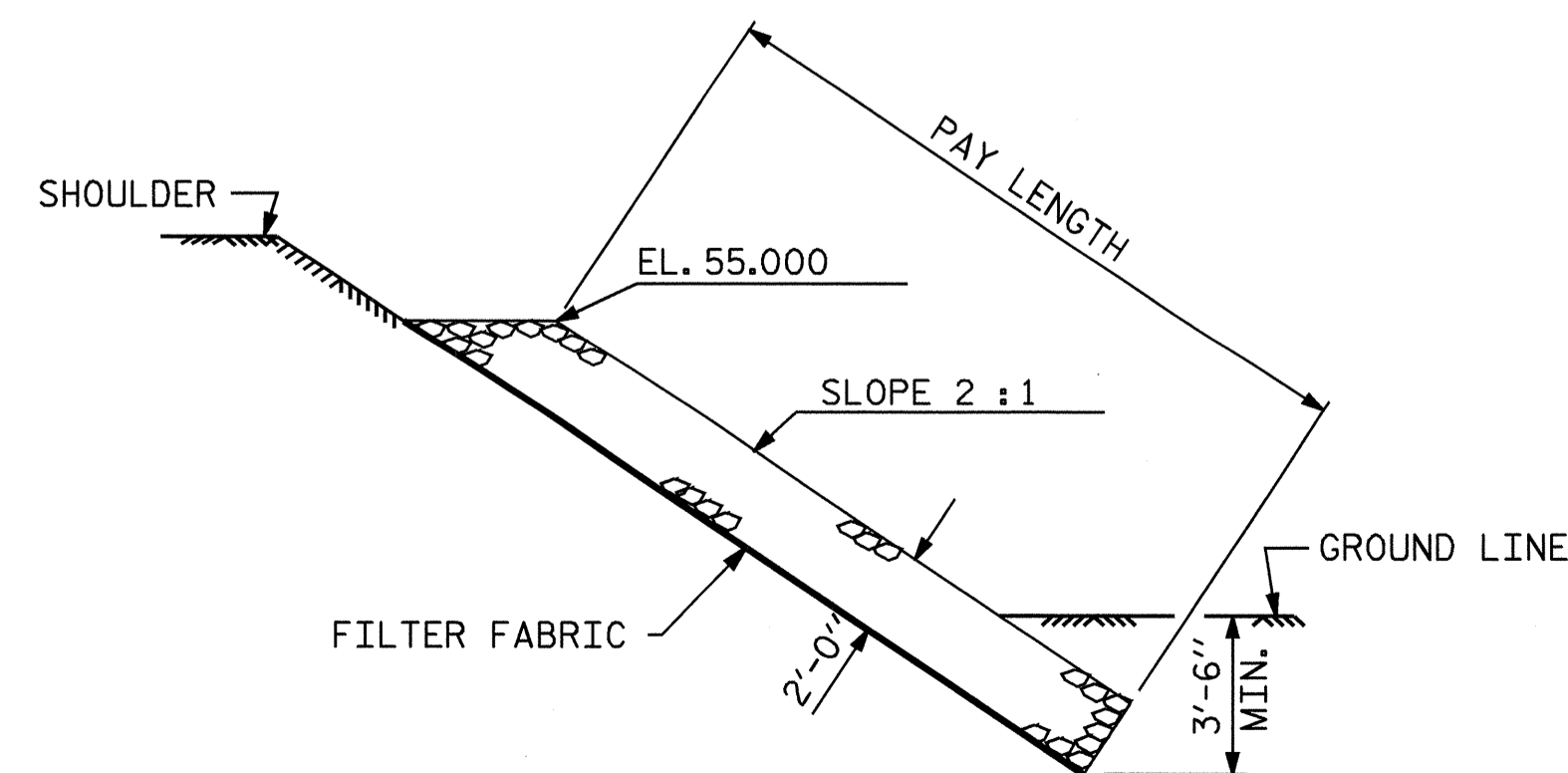
ESTIMATED QUANTITIES		
BRIDGE @ STA. 19+21.50 -L-	PLAIN RIP RAP CLASS II	FILTER FABRIC FOR DRAINAGE
	TONS	SQUARE YARDS
END BENT 1	88	98
END BENT 2	93	103

PLAN OF RIP RAP



SECTION C-C

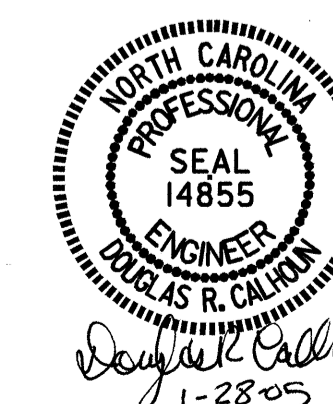
BERM RIP RAPPED



SECTION C-C

PROJECT NO. B-3866
LENOIR / GREENE COUNTY
STATION: 19+21.50 -L-

STATE OF NORTH CAROLINA
DEPARTMENT OF TRANSPORTATION
RALEIGH
STANDARD
= RIP RAP DETAILS =



ASSEMBLED BY : E. G. ALLEN DATE : 12-01-04
CHECKED BY : T. L. CLELLAND DATE : 12-14-04
DRAWN BY : FCJ 2/88 REV. 7/17/98 REK/RWW
CHECKED BY : ARB 8/88 REV. 8/16/99 RWW/LES
REV. 10/17/00 RWW/LES

28-JAN-2005 09:41
W:\gallen\b3866\b3866_sd_RR.dgn
gallen

REVISIONS						SHEET NO.
NO.	BY:	DATE:	NO.	BY:	DATE:	TOTAL SHEETS
1			3			19
2			4			

SKEW 90° NC006 STD. NO. RR2