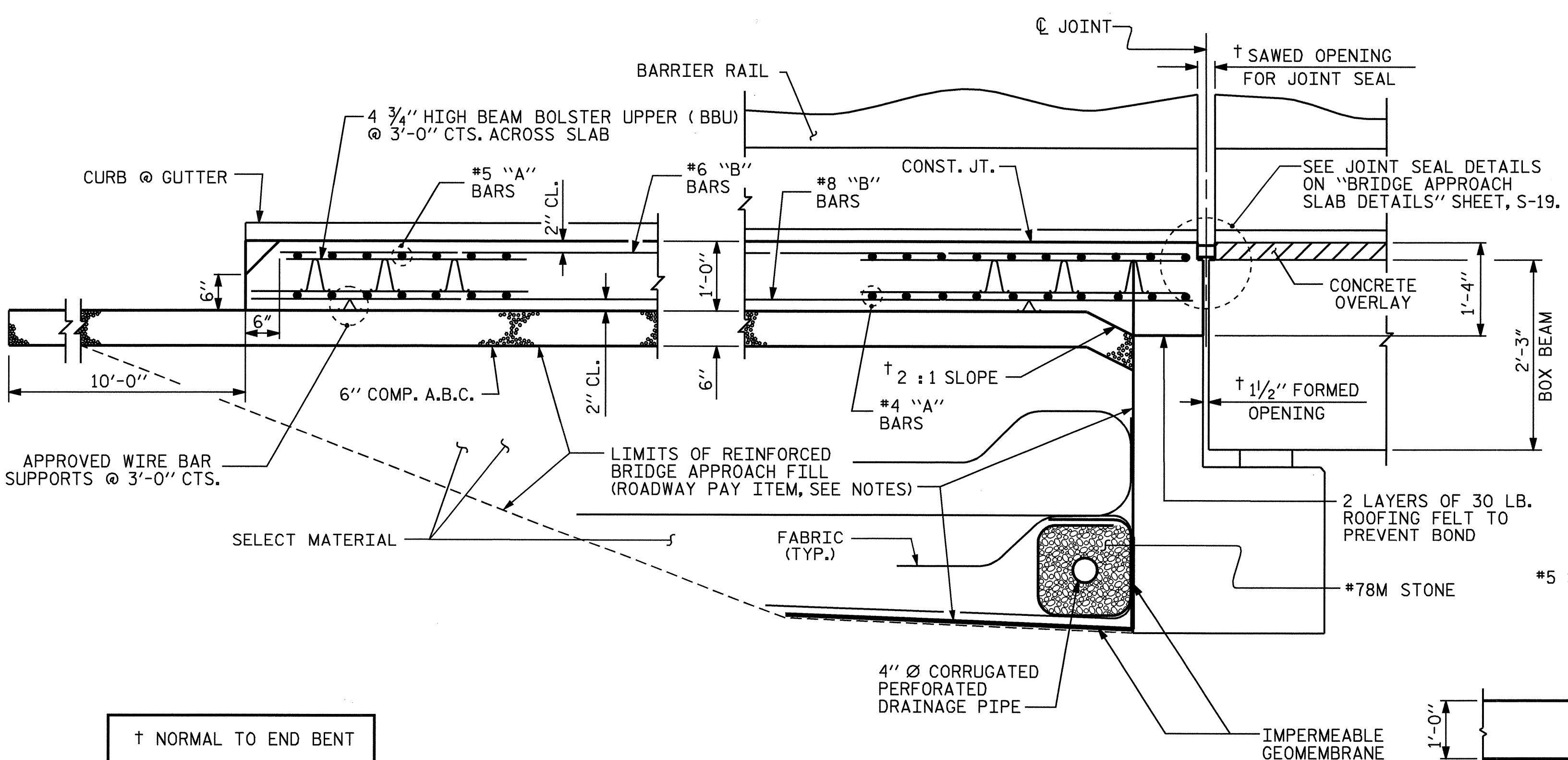
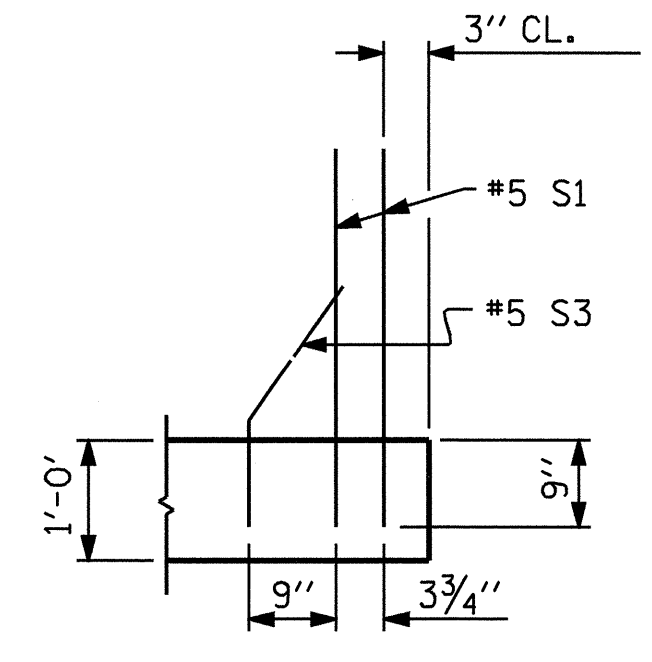


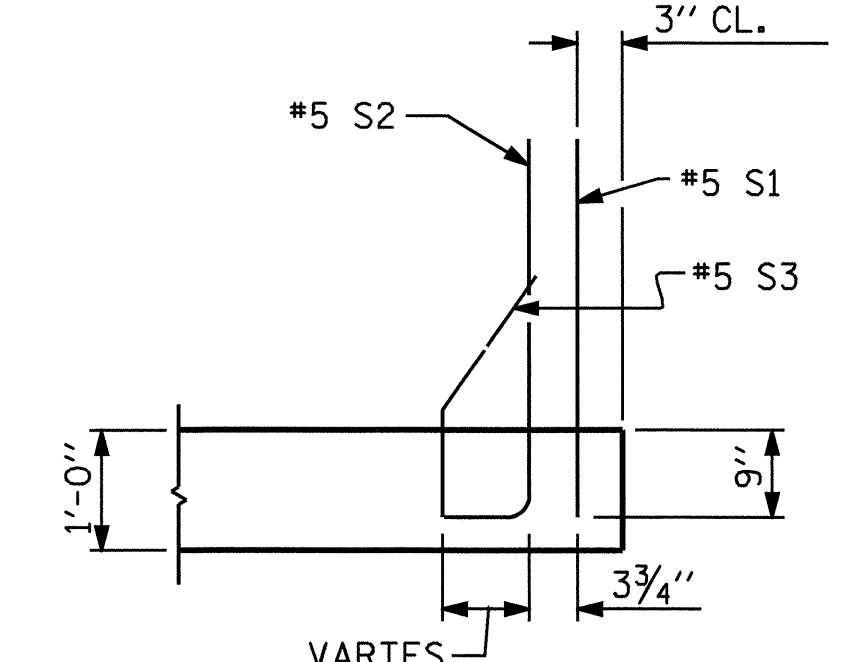
PLAN OF APPROACH SLABS



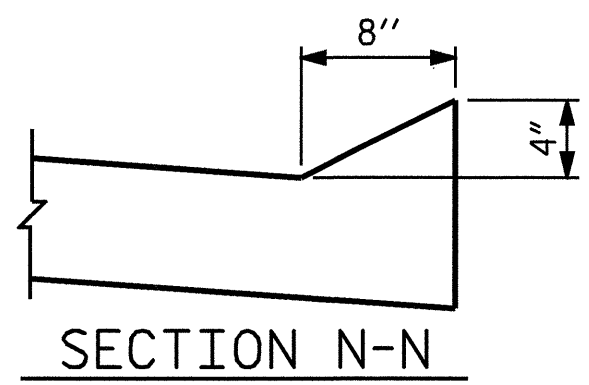
SECTION THRU SLAB



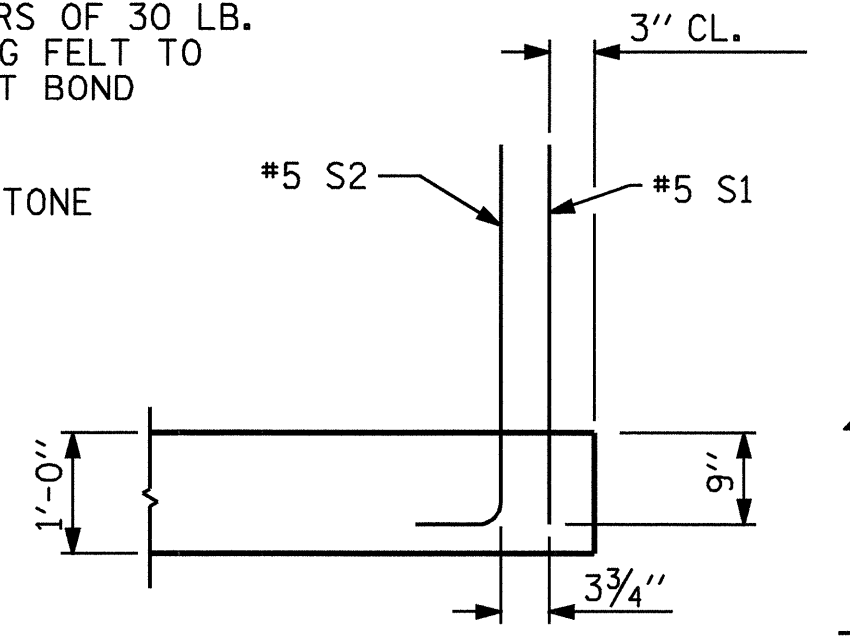
SECTION K-K



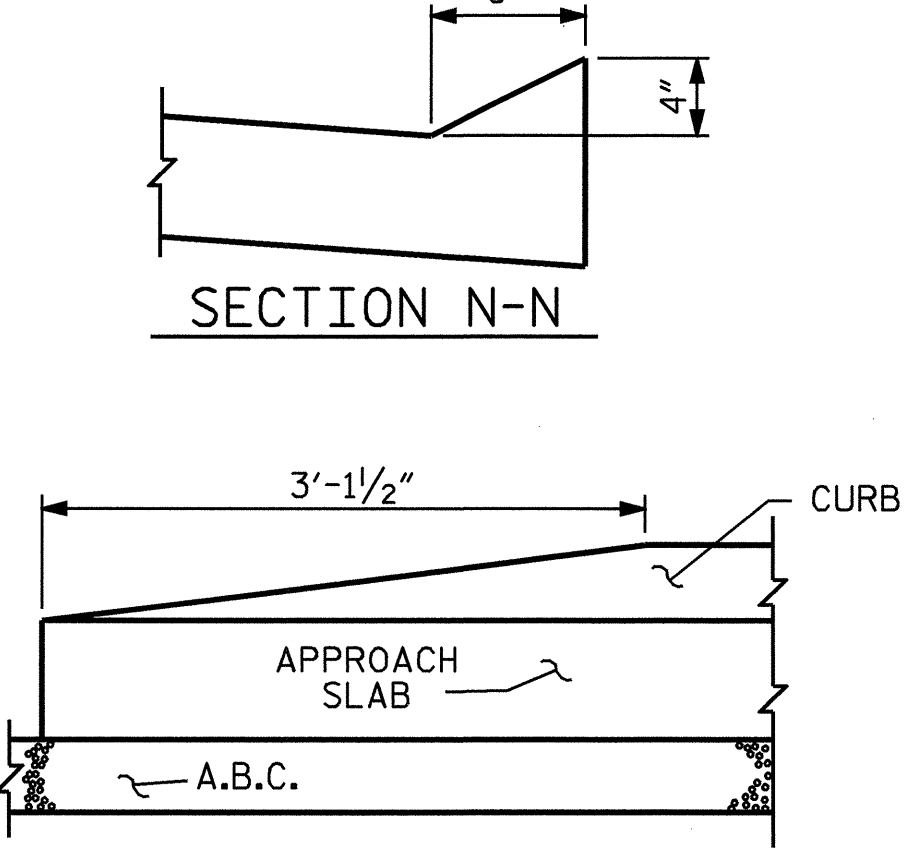
SECTION L-L



SECTION N-N



SECTION M-M



END OF CURB WITHOUT SHOULDER BERM GUTTER (OMIT TAPER WHEN SHOULDER BERM GUTTER IS REQUIRED)

NOTES

THE COST OF THE BARRIER RAIL ON THE APPROACH SLAB SHALL BE INCLUDED IN THE LUMP SUM CONTRACT PRICE BID FOR BRIDGE APPROACH SLABS.

APPROACH SLAB SHALL NOT BE CONSTRUCTED PRIOR TO COMPLETION OF THE BRIDGE DECK.

FOR REINFORCED BRIDGE APPROACH FILL INCLUDING FABRIC, IMPERMEABLE GEOMEMBRANE, 4" Ø DRAINAGE PIPE, #78M STONE, AND SELECT MATERIAL, SEE ROADWAY PLANS.

TEMPORARY DRAINAGE AND TEMPORARY BERM AND SLOPE DRAINS WILL BE PAID FOR UNDER THE LUMP SUM PRICE FOR BRIDGE APPROACH SLAB.

AREA BETWEEN THE WINGWALL AND APPROACH SLAB SHALL BE GRADED TO DRAIN THE WATER AWAY FROM THE FILL FACE OF THE BRIDGE AND SHALL BE PAVED. SEE ROADWAY PLANS.

THE 6" COMP. A.B.C. SHALL EXTEND 10'-0" BEYOND THE END OF THE APPROACH SLAB AND 1'-0" OUTSIDE OF EACH EDGE OF SLAB.

THE CONTRACTOR MAY USE 4" TYPE B-25.0B ASPHALT CONCRETE BASE COURSE IN LIEU OF 6" COMP. A.B.C. IF THIS OPTION IS USED, THE BASE COURSE SHALL EXTEND 1'-0" BEYOND THE END OF THE APPROACH SLAB AND THE WIDTH SHALL BE THE SAME AS THAT OF THE APPROACH SLAB.

THE CONTRACTOR MAY USE 5" CLASS "A" CONCRETE BASE IN LIEU OF 6" COMP. A.B.C. IF THIS OPTION IS USED, THE CONCRETE BASE SHALL EXTEND 1'-0" BEYOND THE END OF THE APPROACH SLAB AND THE WIDTH SHALL BE THE SAME AS THAT OF THE APPROACH SLAB. THE CONCRETE SHALL BE FINISHED TO A SMOOTH SURFACE AND A LAYER OF 30 LB ROOFING FELT SHALL BE PLACED BETWEEN THE CONCRETE BASE AND THE APPROACH SLAB TO PREVENT BOND. THE APPROACH SLAB SHALL NOT BE CAST UNTIL THE CONCRETE BASE HAS REACHED AN AGE OF THREE CURING DAYS.

FOR EVAZOTE JOINT SEALS, SEE SPECIAL PROVISIONS.

THE NOMINAL UNCOMPRESSED SEAL WIDTH OF THE EVAZOTE JOINT SEAL SHALL BE 2 1/2".

FOR ELASTOMERIC CONCRETE, SEE SPECIAL PROVISIONS.

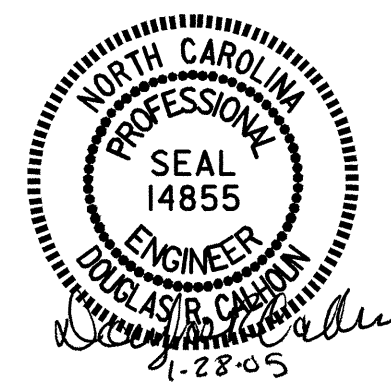
THE COST OF THE ELASTOMERIC CONCRETE WILL BE INCLUDED IN THE PAY ITEM FOR "EVAZOTE JOINT SEALS."

BILL OF MATERIAL					
FOR ONE APPROACH SLAB (2 REQ'D)					
BAR	NO.	SIZE	TYPE	LENGTH	WEIGHT
*A1	25	#5	STR	44'-4"	1156
*A2	24	#5	STR	44'-8"	1118
A3	100	#4	STR	23'-3"	1553
*B1	89	#6	STR	24'-2"	3231
B2	89	#8	STR	24'-8"	5862
*B3	14	#5	STR	11'-8"	170
*B4	2	#5	3	6'-5"	13
*S1	56	#5	STR	3'-3"	190
*S2	40	#5	1	4'-1"	170
*S3	20	#5	2	2'-3"	47
REINFORCING STEEL				LBS.	7415
*EPOXY COATED REINFORCING STEEL				LBS.	6095
CLASS AA CONCRETE BREAKDOWN					
POUR 1 SLAB AND CURB			C. Y.	42.3	
POUR 2 RAIL			C. Y.	2.4	
CLASS AA CONCRETE			C. Y.	44.7	
BAR TYPES					
ALL BAR DIMENSIONS ARE OUT TO OUT					
MINIMUM SPLICE LENGTH					
A3	#4	1'-9"			

PROJECT NO. B-3866
LENOIR/GREENE COUNTY
STATION: 19+21.50 -L-

SHEET 1 OF 3

REVISIONS						SHEET NO.	
NO.	BY:	DATE:	NO.	BY:	DATE:	S-17	
1			3			TOTAL SHEETS	
2			4			19	



ASSEMBLED BY: T.L. CLELLAND DATE: 9/24/04
CHECKED BY: T.A. HARRIS DATE: 9/24/04
DRAWN BY: LES 8/01 REV. 5/7/03R RWW/JTE
CHECKED BY: RDR 8/01