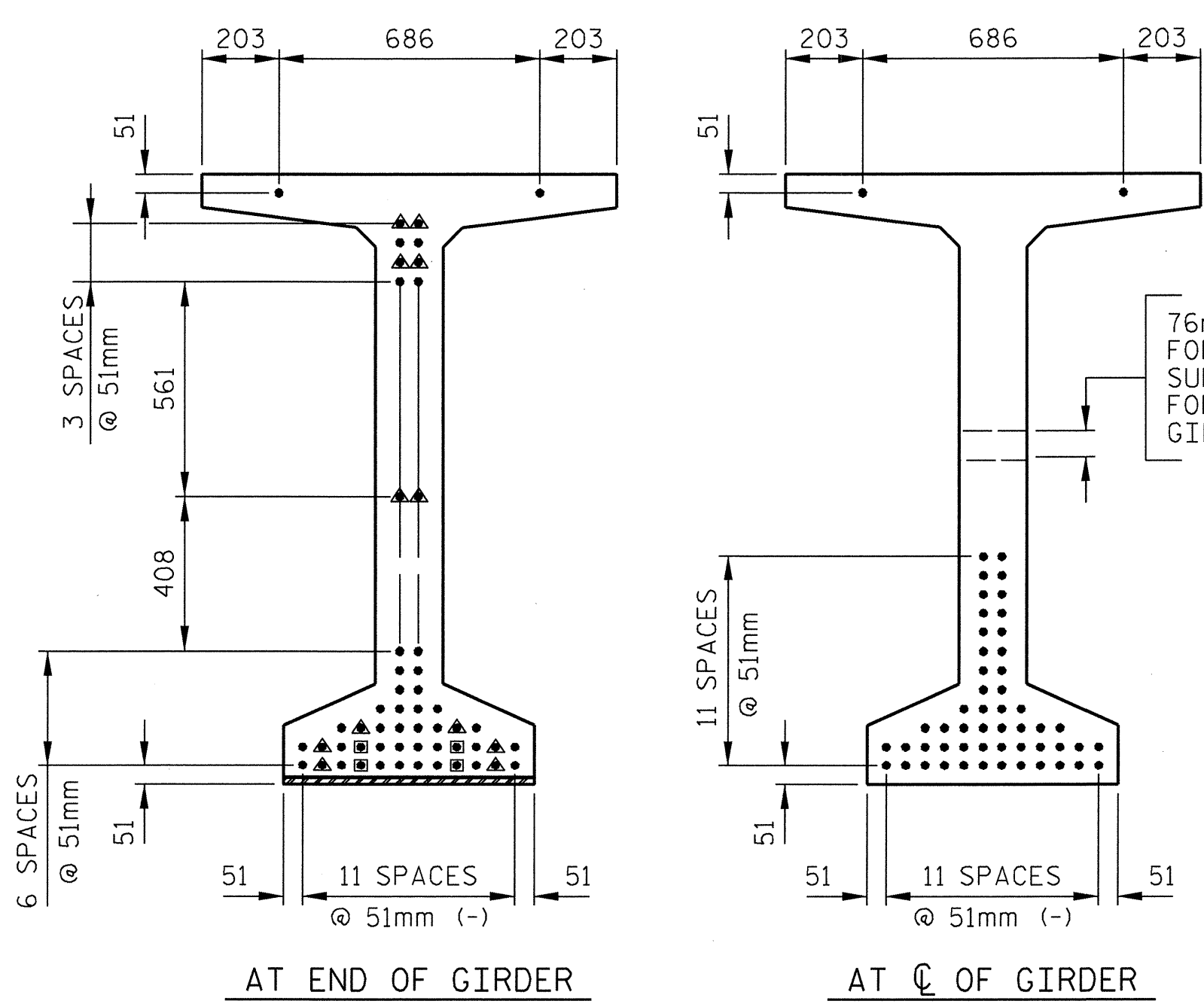


SECTION A-A

* FOR S7 BARS, SEE DETAIL "C" OF PRESTRESSED CONCRETE GIRDER CONTINUOUS FOR LIVE LOAD DETAILS SHEET.

DEBONDING LEGEND

- FULLY BONDED STRANDS
- ▲ STRANDS DEBONDED FOR 0.600m FROM END OF GIRDER
- STRANDS DEBONDED FOR 1.220m FROM END OF GIRDER



AT END OF GIRDER

AT C OF GIRDER

54 - 12.70mm Ø LOW RELAXATION STRAND LAYOUT

NOTES:
FOR NOTES SEE SHEET 3 OF 3

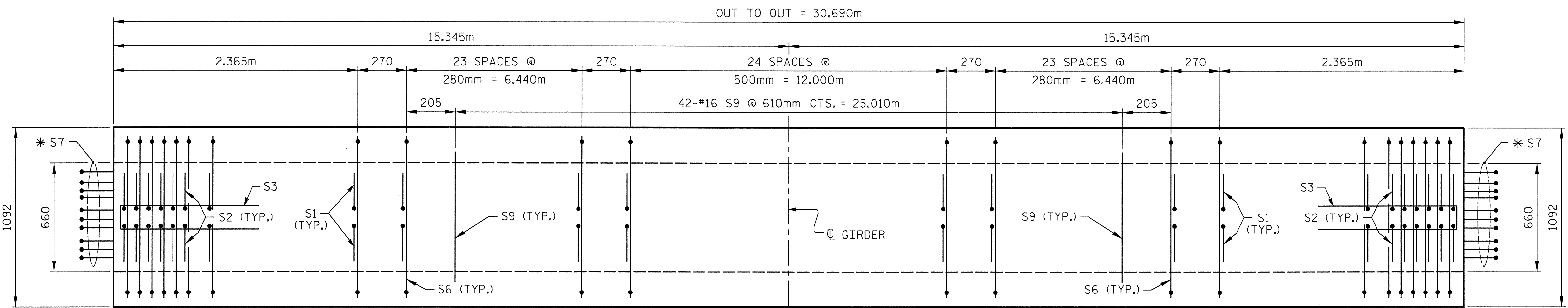
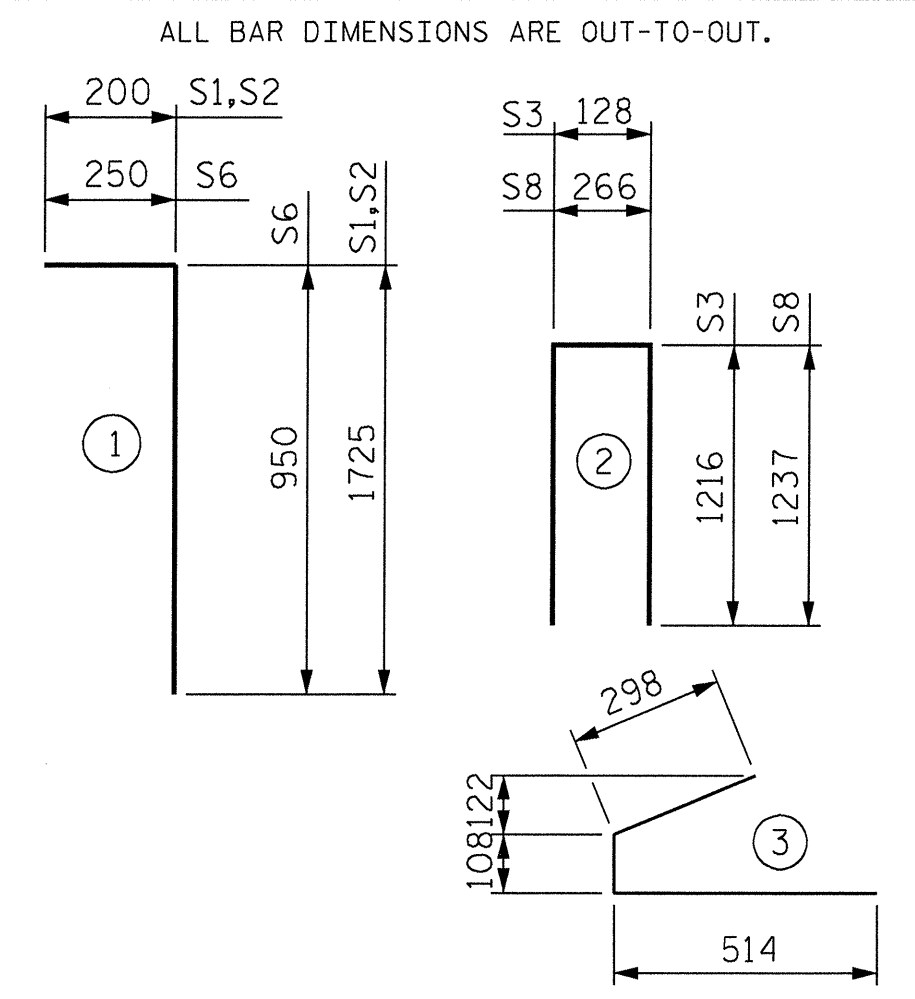
76mm Ø FORMED OR CORED HOLES FOR 31.75mm Ø TIE RODS. SEE SUPERSTRUCTURE "FRAMING PLAN" FOR LOCATIONS. (1 HOLE EXTERIOR GIRDER, 2 HOLES INTERIOR GIRDERS.)

12.70mm Ø L. R. GRADE 270 STRANDS		
AREA (mm ²)	ULTIMATE STRENGTH (kN PER STRAND)	APPLIED PRESTRESS (kN PER STRAND)
98.71	183.7	137.8

REINFORCING STEEL FOR ONE GIRDER					
BAR	NUMBER	SIZE	TYPE	LENGTH	WEIGHT
S1	194	#13	1	1925	371
S2	24	#16	1	1925	72
S3	12	#13	2	2560	31
S4	72	#13	3	920	66
S6	218	#16	1	1200	406
* S7	20	#16	STR	1120	35
S8	2	#16	2	2740	9
S9	42	#16	STR	980	64

* NOTE: S7 BARS SHALL BE BENT BEFORE SHIPMENT. HEAT BENDING SHALL NOT BE ALLOWED.

BAR TYPES

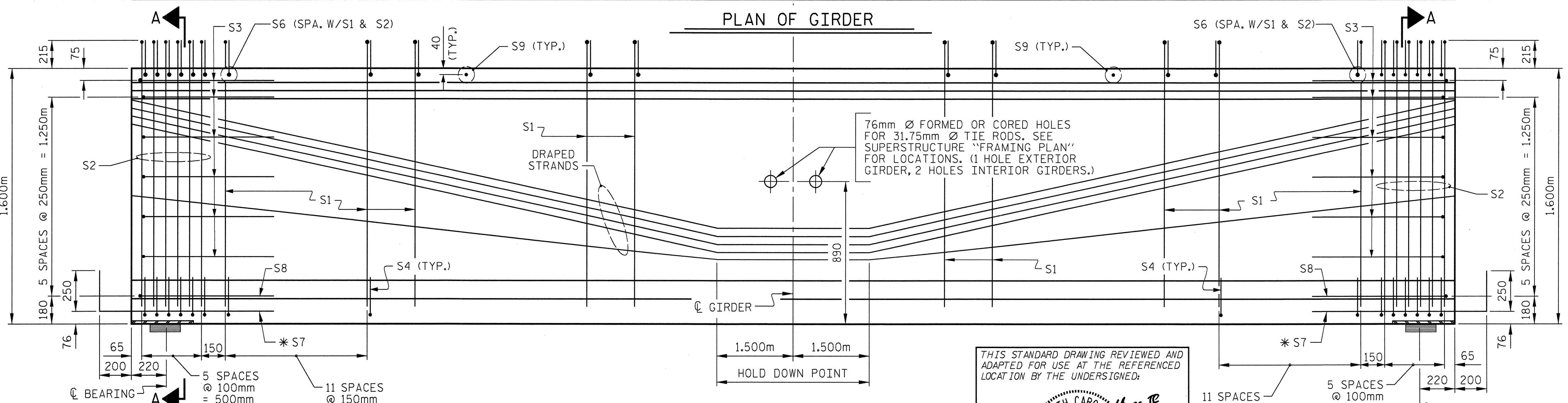


PLAN OF GIRDER

QUANTITIES FOR ONE GIRDER			
	REINFORCING STEEL (kg)	55.2 MPa CONCRETE (m ³)	12.70mm Ø L.R. STRANDS (No.)
SPAN A	1,054	15.3	54

GIRDERS REQUIRED

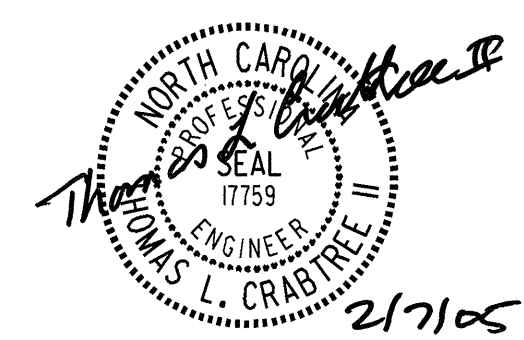
LOCATION	NUMBER	LENGTH	TOTAL LENGTH
SPAN A	4	30.690m	122.760m



ELEVATION OF GIRDER

76mm Ø FORMED OR CORED HOLES FOR 31.75mm Ø TIE RODS. SEE SUPERSTRUCTURE "FRAMING PLAN" FOR LOCATIONS. (1 HOLE EXTERIOR GIRDER, 2 HOLES INTERIOR GIRDERS.)

THIS STANDARD DRAWING REVIEWED AND ADAPTED FOR USE AT THE REFERENCED LOCATION BY THE UNDERSIGNED:



11 SPACES @ 150mm = 1.650m
5 SPACES @ 100mm = 500mm

INTEGRAL

ASSEMBLED BY : LOFTON	DATE : 12/04
CHECKED BY : TLC	DATE : 12/04
DRAWN BY : EEM 2/6/97	REV. 7/17/98 RWW/LES
CHECKED BY : VAP 2/6/97	REV. 8/16/99 RWW/LES
	REV. 10/17/00 RWW/LES



R.N. LTB1-10
STD. No. PCG9SM

PROJECT NO. R-2552C
JOHNSTON COUNTY
STATION: 121+97.157 -L2LT-

SHEET 1 OF 3

STATE OF NORTH CAROLINA
DEPARTMENT OF TRANSPORTATION
RALEIGH

STANDARD
1600mm PRESTRESSED
CONCRETE MODIFIED BULB TEE
CONTINUOUS FOR LIVE LOAD
(LEFT BRIDGE)

REVISIONS					SHEET NO.
NO.	BY:	DATE:	NO.	BY:	DATE:
1			3		
2			4		

DATE: 8/17/2005
TIME: 12:50:23

DATE: 2/7/2005
TIME: 12:50:23
USER: kmlgfton
Dwg: K:\978762\U_Bridge\CADD\pccg9sm21.dgn