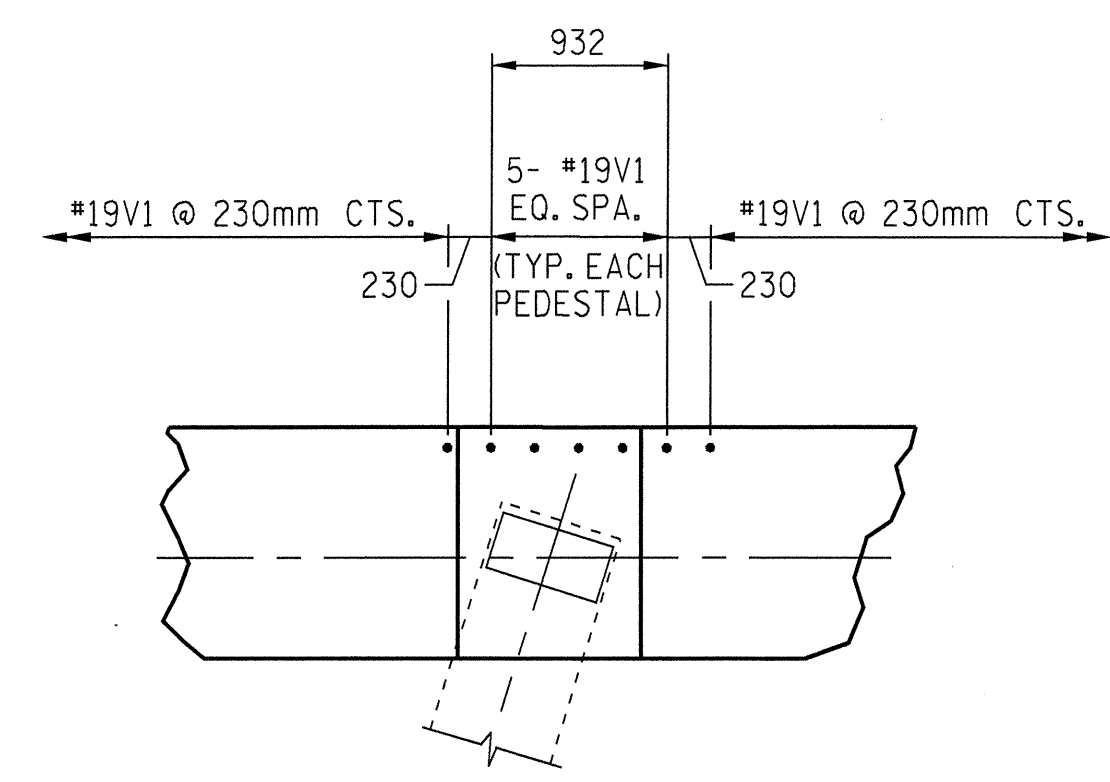
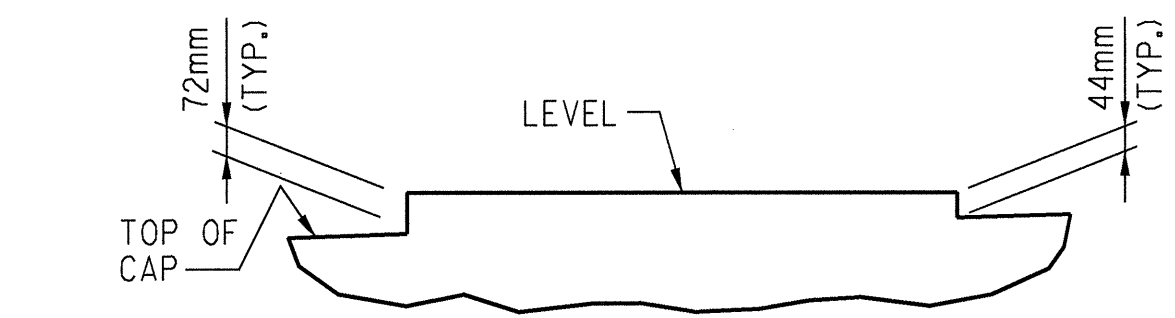


PLAN

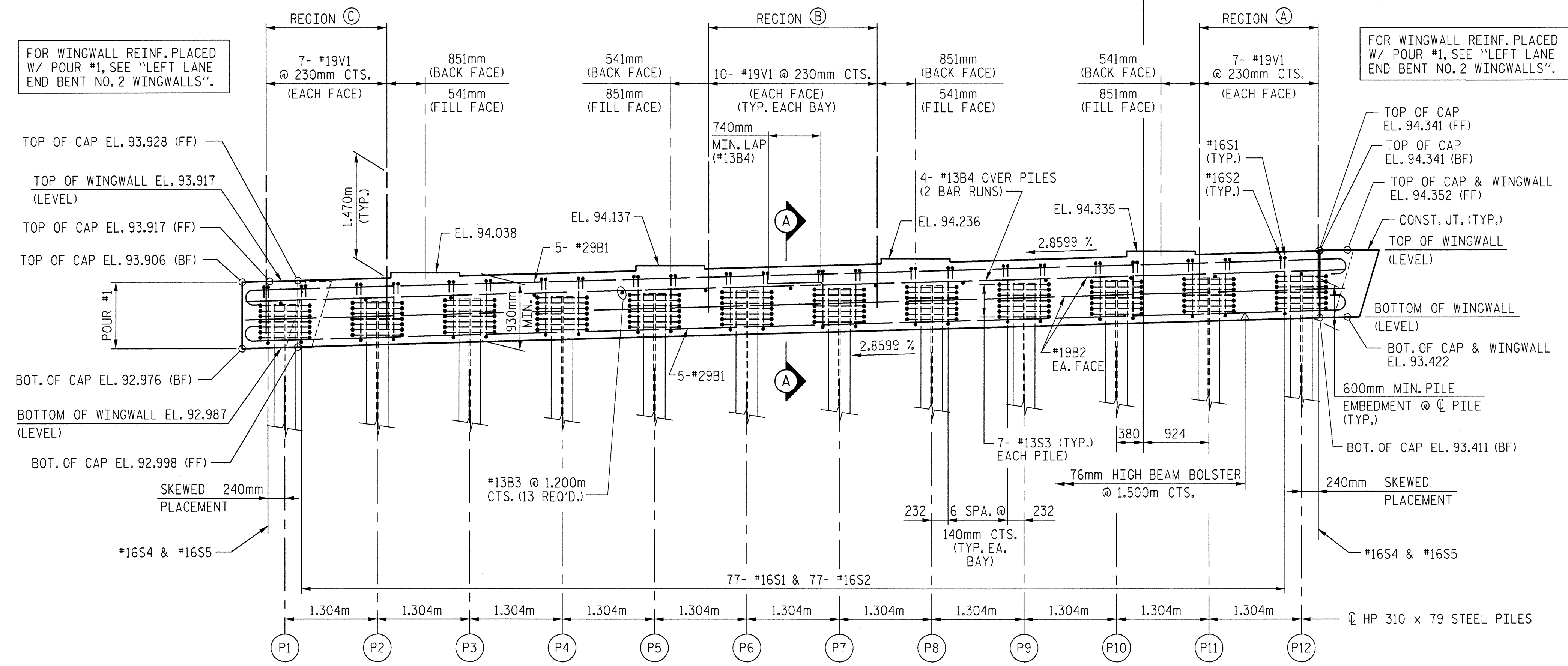
- NOTES**
1. FOR PILE SPLICE DETAILS, SEE END BENT NO. 2, SHEET 3 OF 3.
  2. FOR SECTION A-A, SEE END BENT NO. 2, SHEET 3 OF 3.
  3. FOR DETAILS OF LOWER WINGWALLS AND REINFORCING STEEL, SEE END BENT NO. 2, SHEET 2 OF 3.
  4. FOR TEMPORARY DRAINAGE DETAILS, SEE END BENT NO. 1, SHEET 3 OF 3.
  5. FOR TOP OF PILE CUT-OFF ELEVATIONS, SEE END BENT NO. 2, SHEET 3 OF 3.
  6. THE CONCRETE QUANTITY FOR THE UPPER PORTION OF WINGWALLS SHALL BE INCLUDED WITH ENDWALL CONCRETE QUANTITY. SEE SUPERSTRUCTURE BILL OF MATERIAL.



DETAIL 'A'

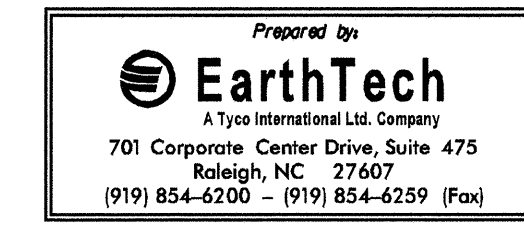


BUILD-UP HEIGHT DETAIL



ELEVATION

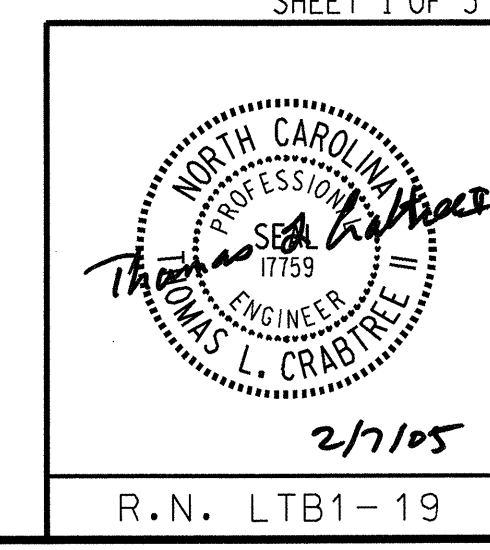
FF = FILL FACE  
BF = BACK FACE



PROJECT NO. R-2552C  
JOHNSTON COUNTY  
STATION: 121+97.157 -L2LT-

STATE OF NORTH CAROLINA  
DEPARTMENT OF TRANSPORTATION  
RALEIGH

SUBSTRUCTURE  
(LEFT LANE BRIDGE)  
END BENT NO. 2  
PLAN AND ELEVATION



REVISIONS						SHEET NO.	
NO.	BY:	DATE:	NO.	BY:	DATE:	TOTAL SHEETS	
1			3			5	28
2			4			4	31

DRAWN BY: MTB DATE: 11/04  
CHECKED BY: TLC DATE: 12/04  
APPROVED BY: DATE:

R.N. LTB1-19