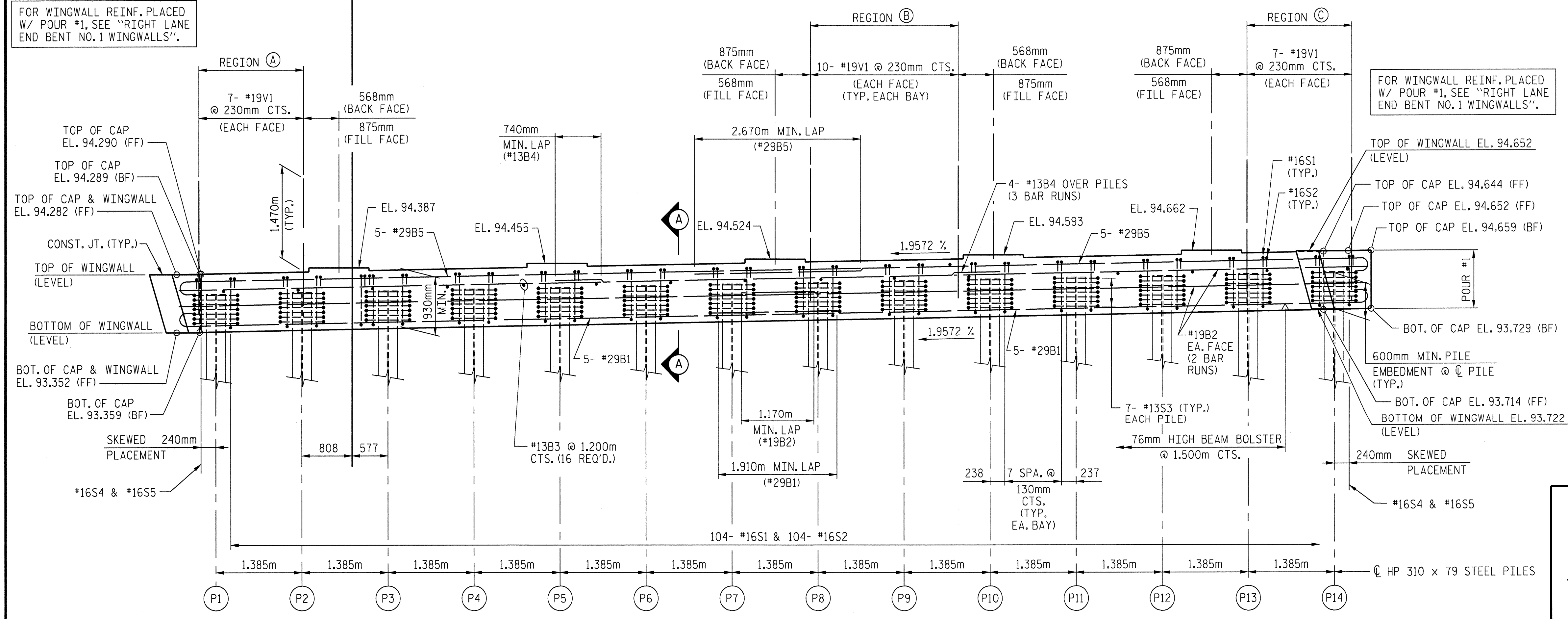


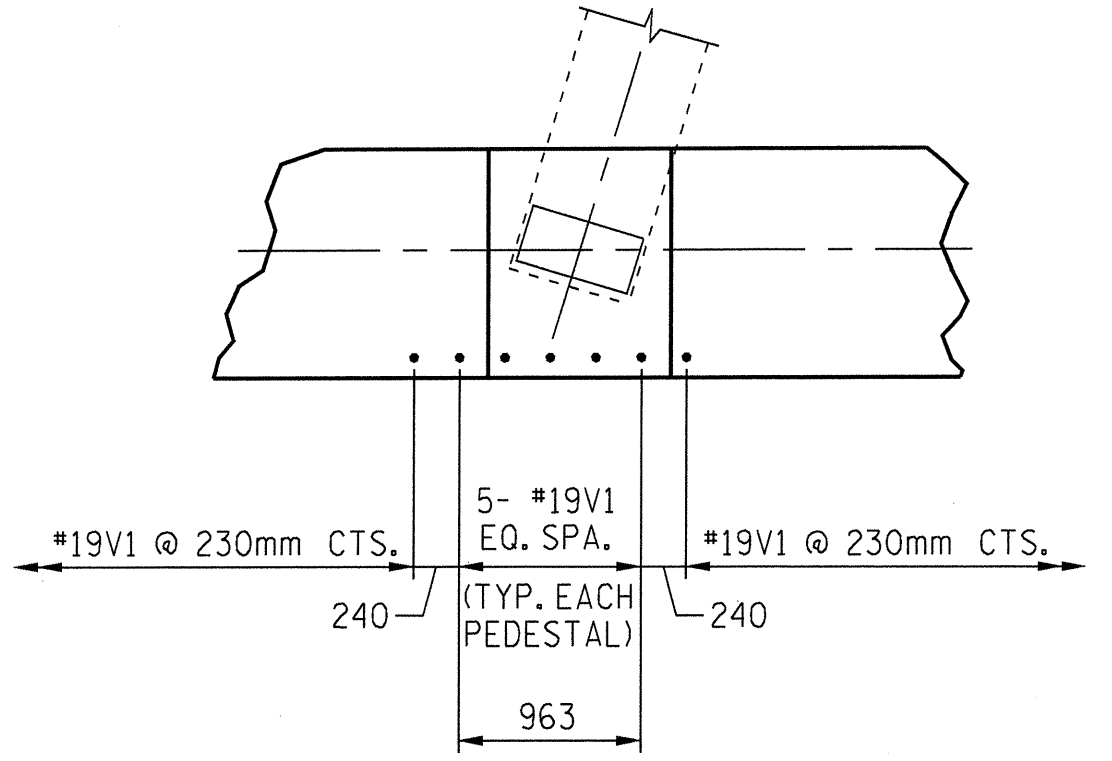
PLAN

FOR WINGWALL REINF. PLACED W/ POUR #1, SEE "RIGHT LANE END BENT NO.1 WINGWALLS".

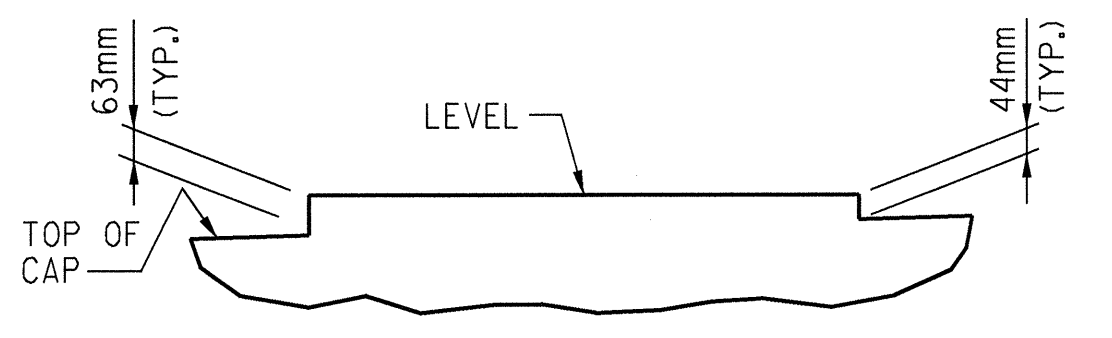


ELEVATION

- NOTES
1. FOR PILE SPLICE DETAILS, SEE END BENT NO.1, SHEET 3 OF 3.
  2. FOR SECTION A-A, SEE END BENT NO.1, SHEET 3 OF 3.
  3. FOR DETAILS OF LOWER WINGWALLS AND REINFORCING STEEL, SEE END BENT NO.1, SHEET 2 OF 3.
  4. FOR TEMPORARY DRAINAGE DETAILS, SEE END BENT NO.1, SHEET 3 OF 3.
  5. FOR TOP OF PILE CUT-OFF ELEVATIONS, SEE END BENT NO.1, SHEET 3 OF 3.
  6. THE CONCRETE QUANTITY FOR THE UPPER PORTION OF WINGWALLS SHALL BE INCLUDED WITH ENDWALL CONCRETE QUANTITY. SEE SUPERSTRUCTURE BILL OF MATERIAL.



DETAIL 'A'

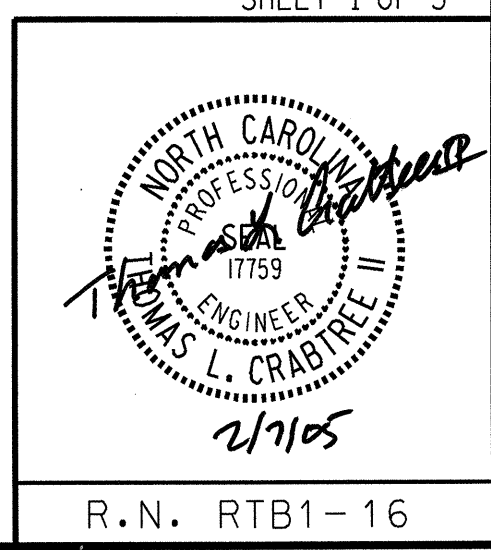


BUILD-UP HEIGHT DETAIL



PROJECT NO. R-2552C  
 JOHNSTON COUNTY  
 STATION: 122+14.832 -L2RT-

STATE OF NORTH CAROLINA  
 DEPARTMENT OF TRANSPORTATION  
 RALEIGH  
 SUBSTRUCTURE  
 (RIGHT LANE BRIDGE)  
 END BENT NO.1  
 PLAN AND ELEVATION



REVISIONS					SHEET NO.
NO.	BY:	DATE:	NO.	DATE:	TOTAL SHEETS
1			3		5-309
2			4		4131

DRAWN BY : MTB DATE : 11/04  
 CHECKED BY : TLC DATE : 12/04  
 APPROVED BY : DATE :

R.N. RTB1-16