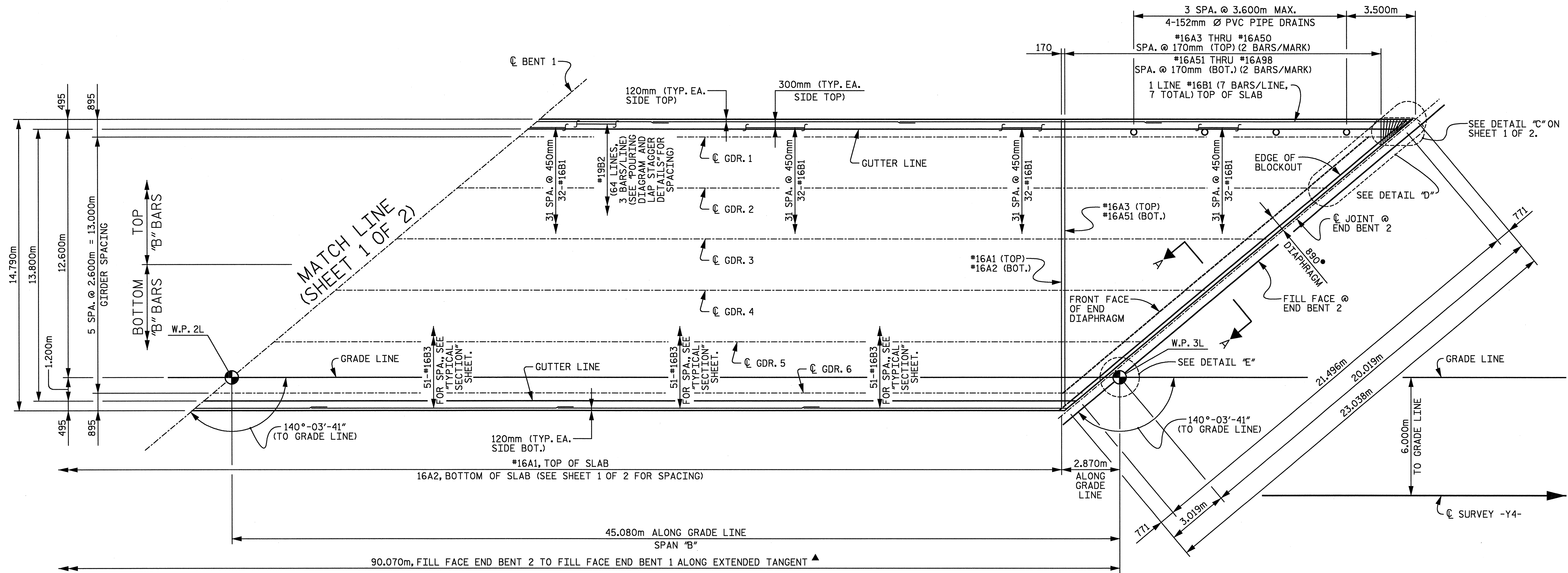


05/31/21 PM

nt:\proj\3109-100\ustation\struct\final\3109-100_span_b.dgn

02/17/2005

davidlowery

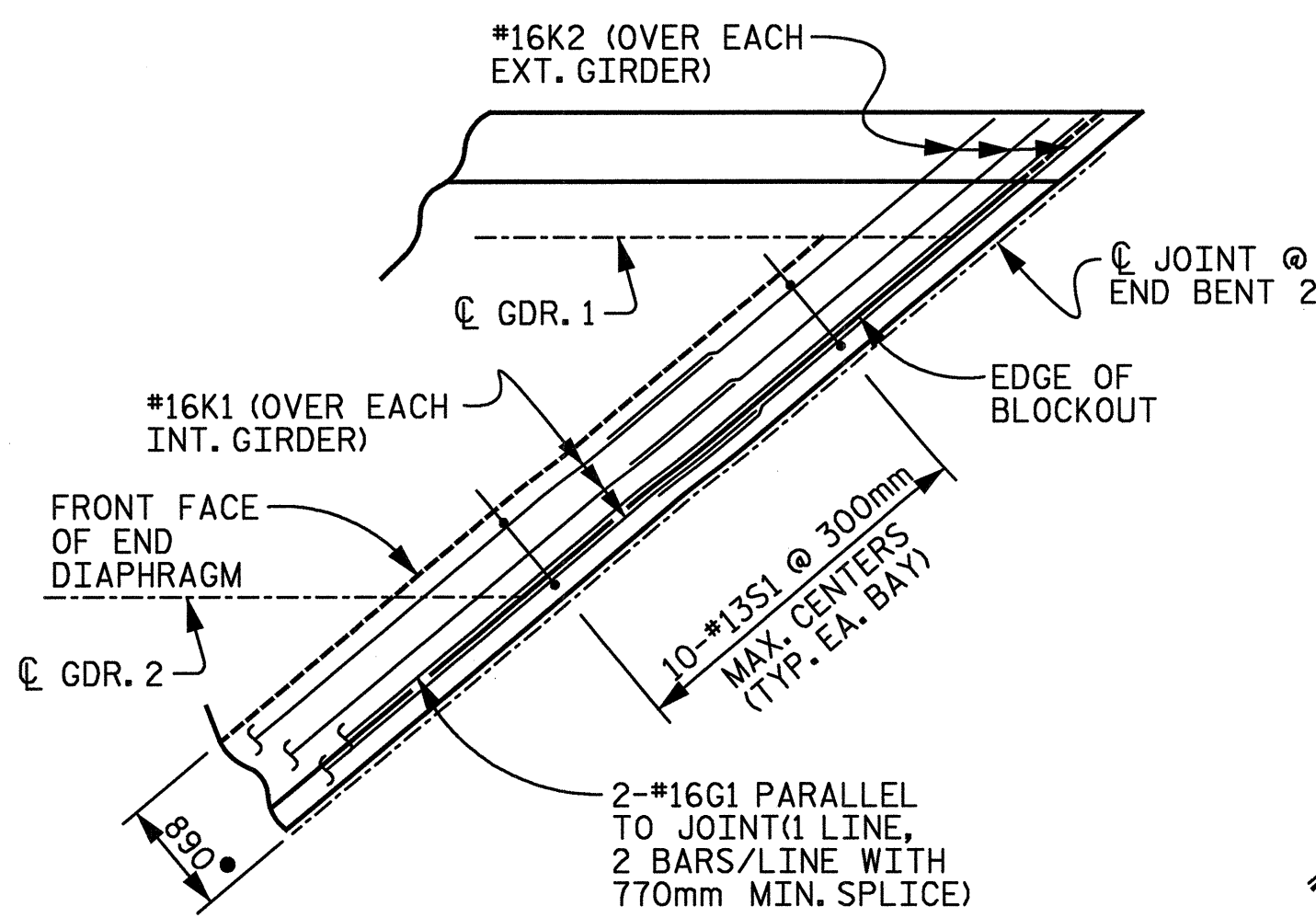


MATCH LINE
(SHEET 1 OF 2)

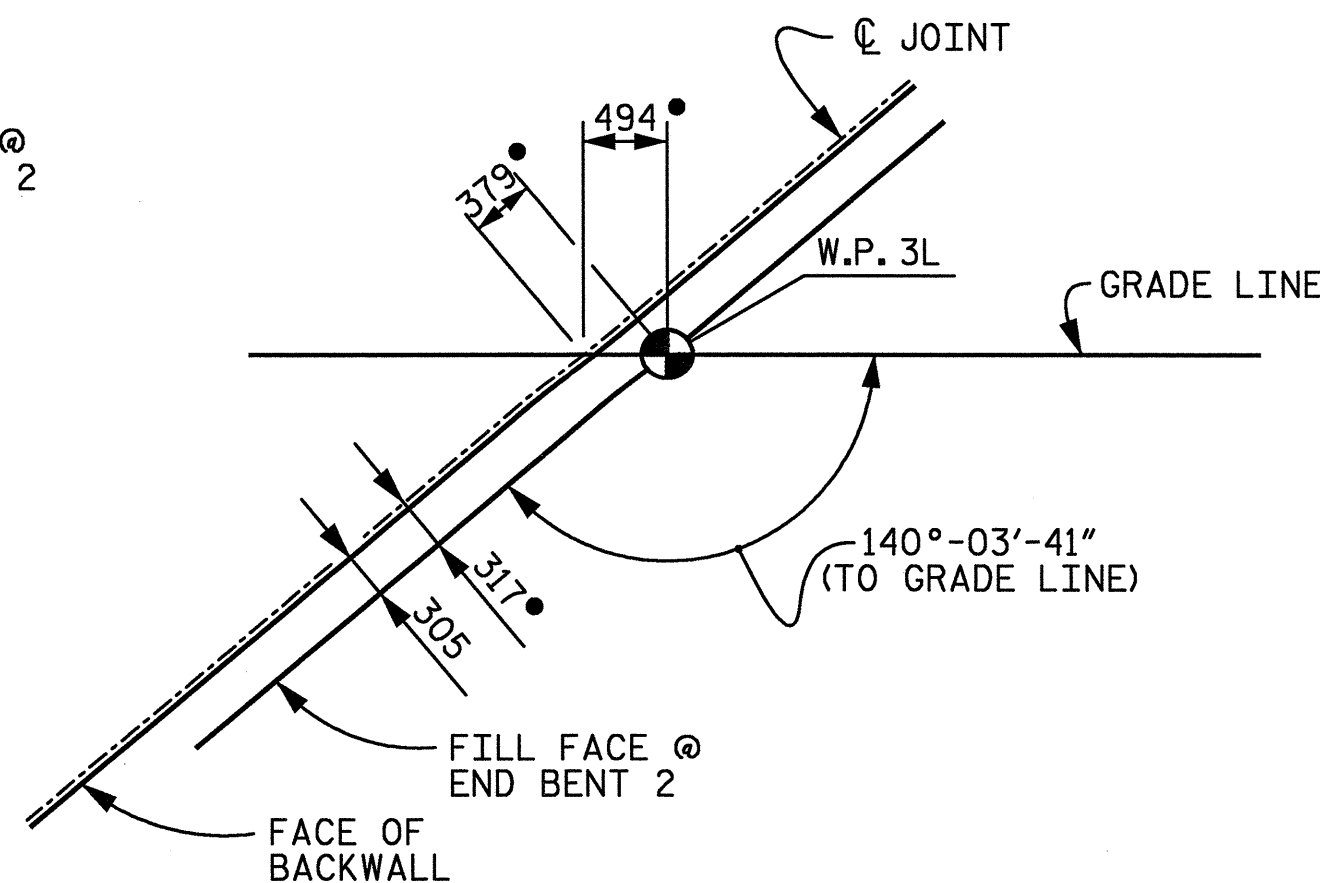
SPAN "B"

- AT 16° C.
- ▲ FOR EXTENDED TANGENT, SEE "GENERAL DRAWING EXTENDED TANGENT LAYOUT" SHEET.

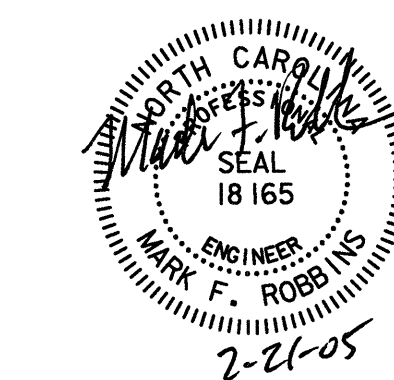
NOTES : FOR NOTES, SEE SHEET 1 OF 2.



DETAIL "D"
"A" AND "B" BARS NOT SHOWN



DETAIL "E"



RALPH WHITEHEAD ASSOCIATES, INC.
CONSULTING ENGINEERS
P.O. BOX 35624 CHARLOTTE, N.C. 28235
DRAWN BY LGH DATE 8-04 DWG. NO. D-1749.07
CHECKED BY TVR DATE 8-04

REVISIONS		DATE
NO.	BY	DATE
1		
2		

PROJECT No. R-2552C
JOHNSTON COUNTY
STATION: POT 148+08.446 -L2-
POT 23+96.446 -Y4-
STATE OF NORTH CAROLINA
DEPARTMENT OF TRANSPORTATION
RALEIGH
**PLAN OF SPANS
SPAN "B"**
-LEFT LANE-

SHEET NO. 5-328
TOTAL SHEETS 431