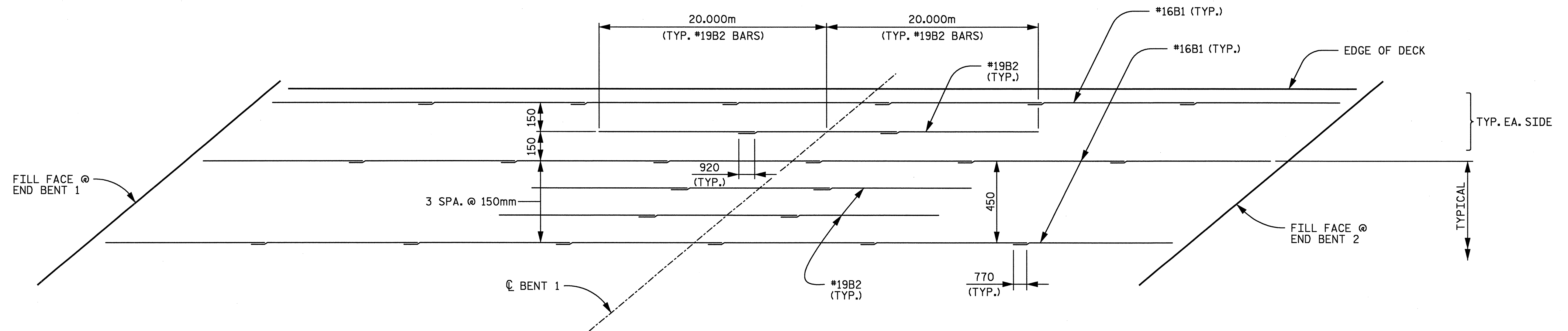
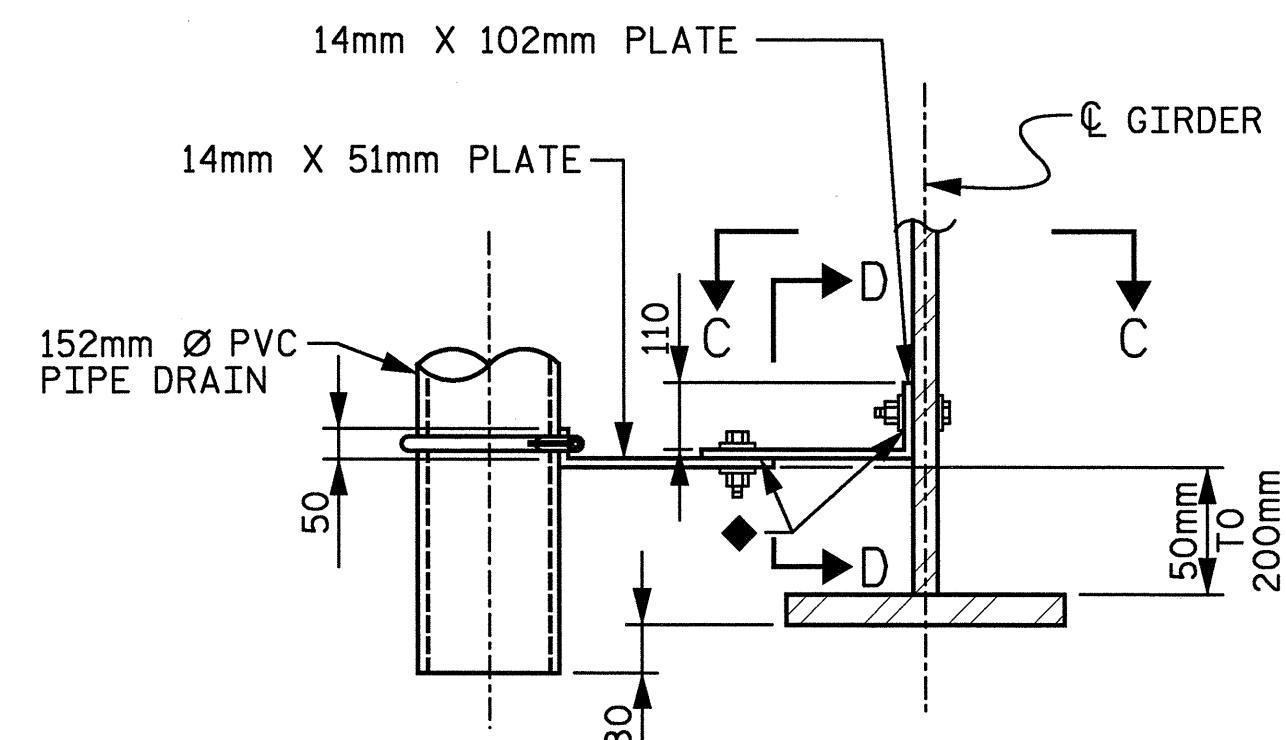


POURING DIAGRAM

(TRANSVERSE CONSTR. JT. PARALLEL TO C BENT 1)



TOP "B" BAR REINFORCING LAYOUT



PIPE DRAIN NOTES

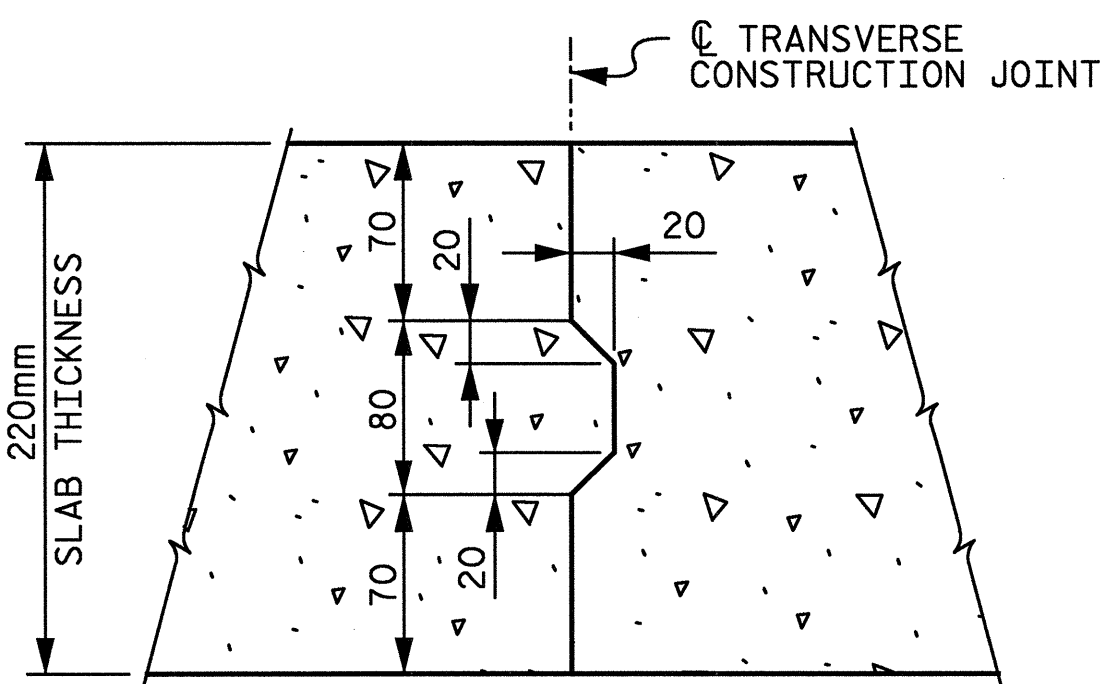
COUPLING IN DRAIN PIPE WILL BE PERMITTED AS APPROVED BY THE ENGINEER.

TOP OF FLOOR DRAIN TO BE SET 10mm BELOW SURFACE OF SLAB.

(4) - 13mm SQUARE LUGS TO BE GLUED TO THE PVC PLASTIC PIPE AT EQUAL SPACES AROUND THE PIPE DRAIN APPROXIMATELY 100mm FROM THE TOP OF THE PIPE.

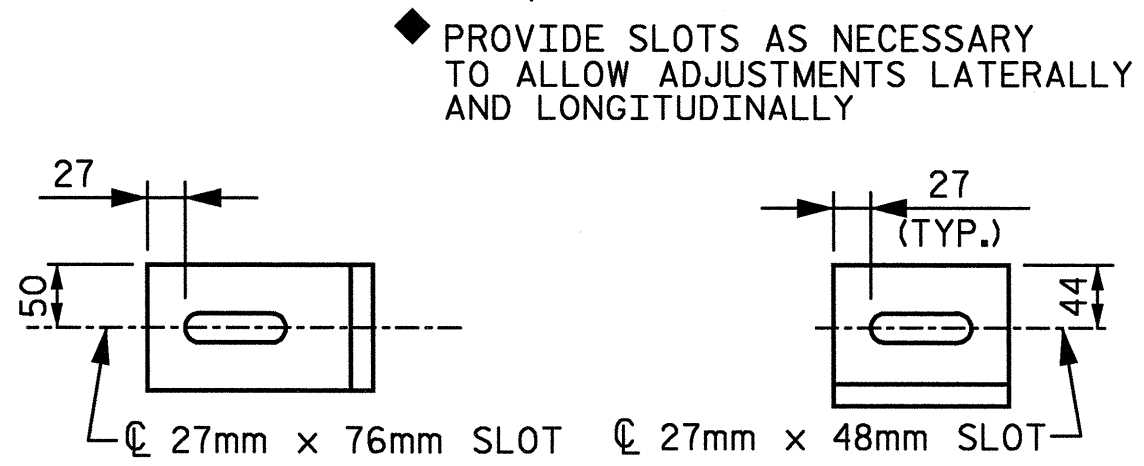
BOLT SIZES TO BE SAME AS CROSSFRAME CONNECTIONS. STAINLESS STEEL WORM DRIVE HOSE CLAMP SHALL BE COMMERCIAL QUALITY.

PVC DECK DRAINS SHALL BE PAINTED WITH TWO COATS OF BROWN PRIMER MEETING THE REQUIREMENTS OF ARTICLE 1080-12 OF THE STANDARD SPECIFICATIONS. EACH COAT SHALL BE 0.050mm THICK. DECK DRAINS SHALL BE ROUGHENED PRIOR TO PAINTING. NO SEPARATE PAYMENT SHALL BE MADE FOR PAINTING PVC DECK DRAINS AS THIS IS CONSIDERED INCIDENTAL TO THE PAY ITEM FOR REINFORCED CONCRETE DECK SLAB.



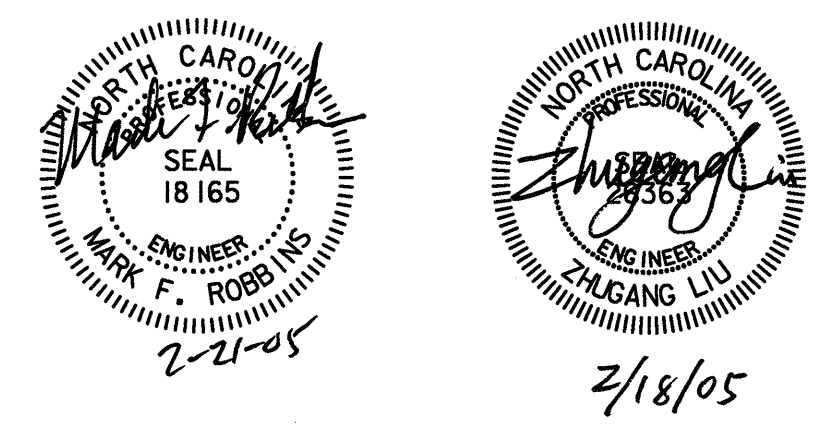
NOTE : REINFORCING STEEL IN SLAB NOT SHOWN. LONGITUDINAL REINFORCING STEEL SHALL BE CONTINUOUS THROUGH JOINT.

**TRANSVERSE CONSTRUCTION JOINT
IN DECK SLAB**



SECTION C-C SECTION D-D

DRAIN CONNECTOR DETAILS



PROJECT No R-2552C
 JOHNSTON COUNTY
 STATION: POT 148+08.446 -L2-
 POT 23+96.446 -Y4-

REVISIONS		NO.	DATE
NO.	BY	DATE	
1			
2			
3			
4			

STATE OF NORTH CAROLINA	
DEPARTMENT OF TRANSPORTATION	
RALEIGH	
POURING DIAGRAM AND LAP STAGGER DETAILS	
-LEFT LANE-	
SHEET NO. 5-229	TOTAL SHEETS 431

RALPH WHITEHEAD ASSOCIATES, INC.
 CONSULTING ENGINEERS
 P.O. BOX 35624 CHARLOTTE, N.C. 28235

DRAWN BY DDL DATE: 8-04 DWG. NO. D-1749.08
 CHECKED BY TVR DATE: 8-04

02/17/2005 05:31:21 PM n:\proj\3109-100\ustation\struct\final\3109-100_pour.dgn david.lowy