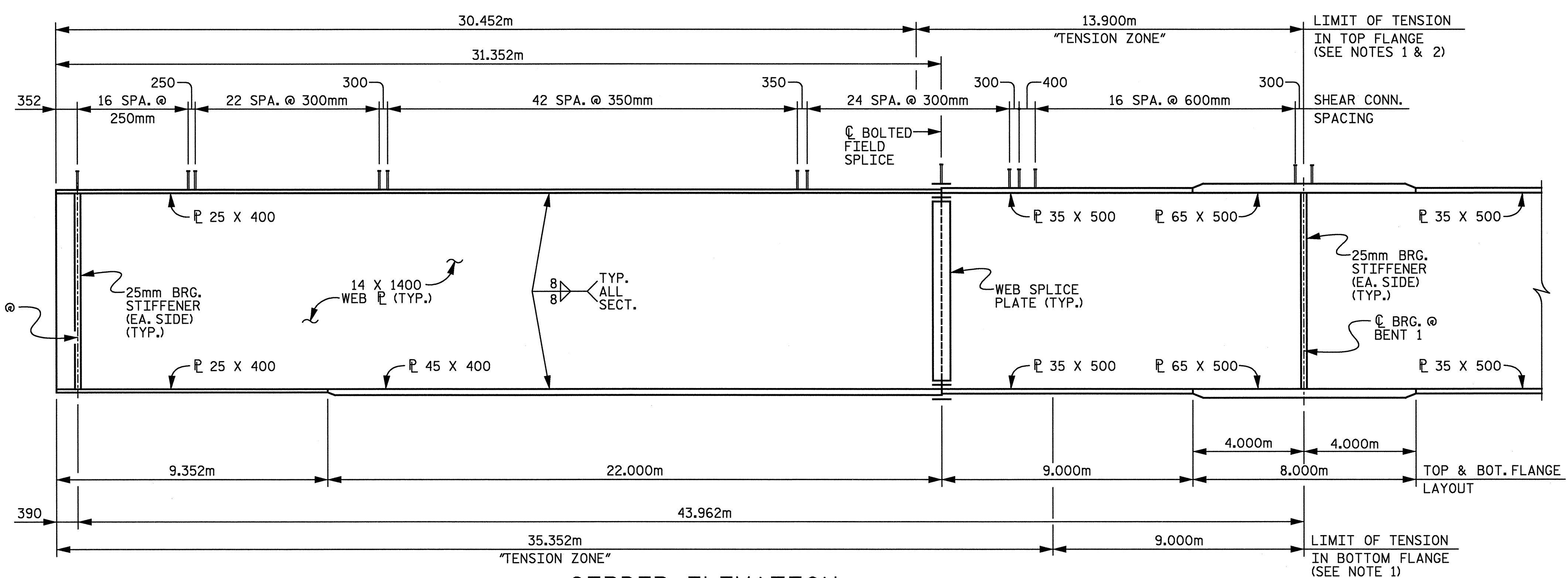


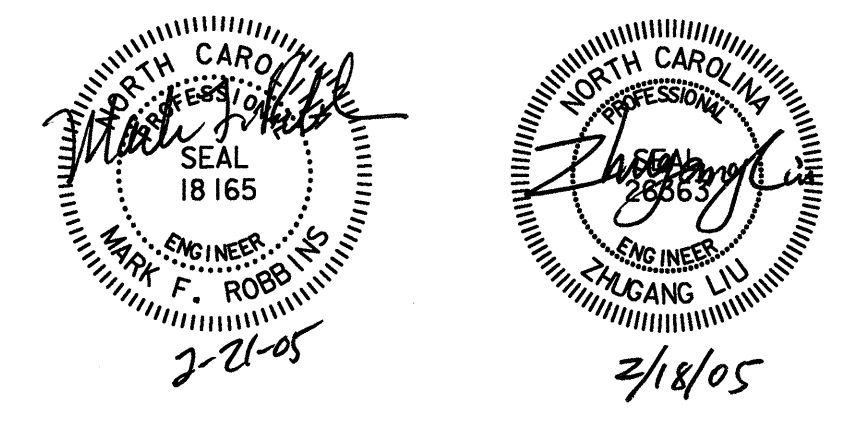
- NOTES:**
- SEE "STRUCTURAL STEEL DETAILS" SHEET FOR STEEL NOTES, CHARPY V-NOTCH TESTING REQUIREMENTS AND SHOP SPLICE DETAILS.
 - NO WELDING OF FORMS OR FALSEWORK TO THE TOP FLANGE WILL BE PERMITTED IN THE TENSION ZONE.
 - ALL DIMENSIONS ON THIS SHEET ARE HORIZONTAL.
 - SHEAR CONNECTORS MAY BE MOVED SLIGHTLY, AS NECESSARY, TO AVOID INTERFERENCE WITH GIRDER SECTION CHANGES AND HOLES FOR THE BOLTED FIELD SPLICE.
 - FOR TOP FLANGE CLIP DETAILS AT END BENTS 1 & 2, SEE "STRUCTURAL STEEL DETAILS" SHEET.

FRAMING PLAN

▲ FOR EXTENDED TANGENT, SEE "GENERAL DRAWING EXTENDED TANGENT LAYOUT" SHEET.



GIRDER ELEVATION
(CONNECTOR P'S NOT SHOWN FOR CLARITY)



PROJECT No. R-2552C
 JOHNSTON COUNTY
 STATION: POT 148+08.446 -L2-
 POT 23+96.446 -Y4-

REVISIONS		NO.	DATE
		3	
		1	

STATE OF NORTH CAROLINA	DEPARTMENT OF TRANSPORTATION	
RALEIGH		
FRAMING PLAN AND GIRDER DETAILS		
SPAN "A"		
-LEFT LANE-		
SHEET NO. 5-330	TOTAL SHEETS 431	

RALPH WHITEHEAD ASSOCIATES, INC.
 CONSULTING ENGINEERS
 P.O. BOX 35624 CHARLOTTE, N.C. 28235

DRAWN BY WBS, LGH DATE 8-04 DWG. NO. D-1749.09
 CHECKED BY TVR DATE 9-04

02/11/2005 05:31:20 PM n:\proj\3109-100\station\struct\final\3109-100_fr_ame.dgn david.lowe@rwae.com