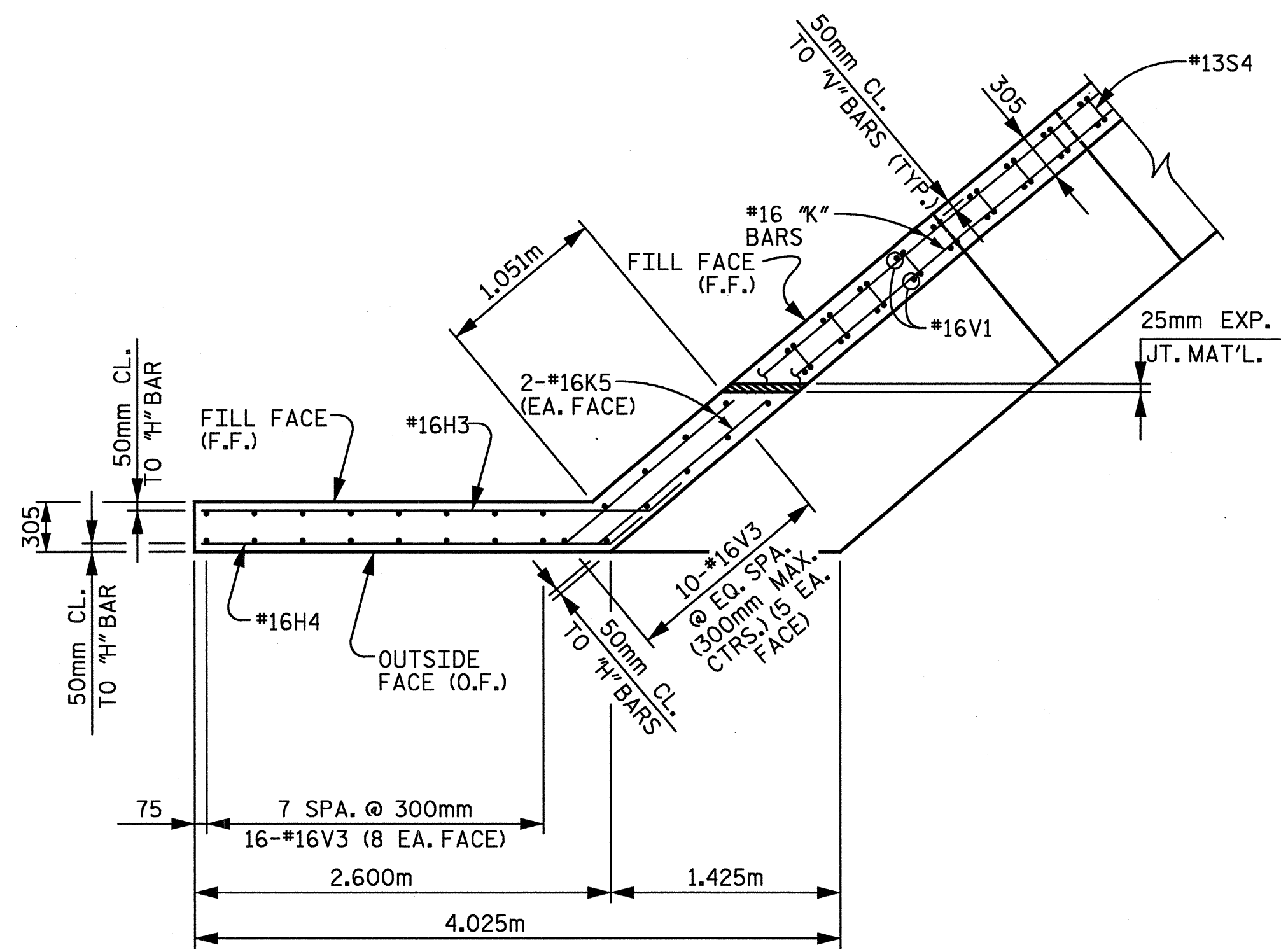
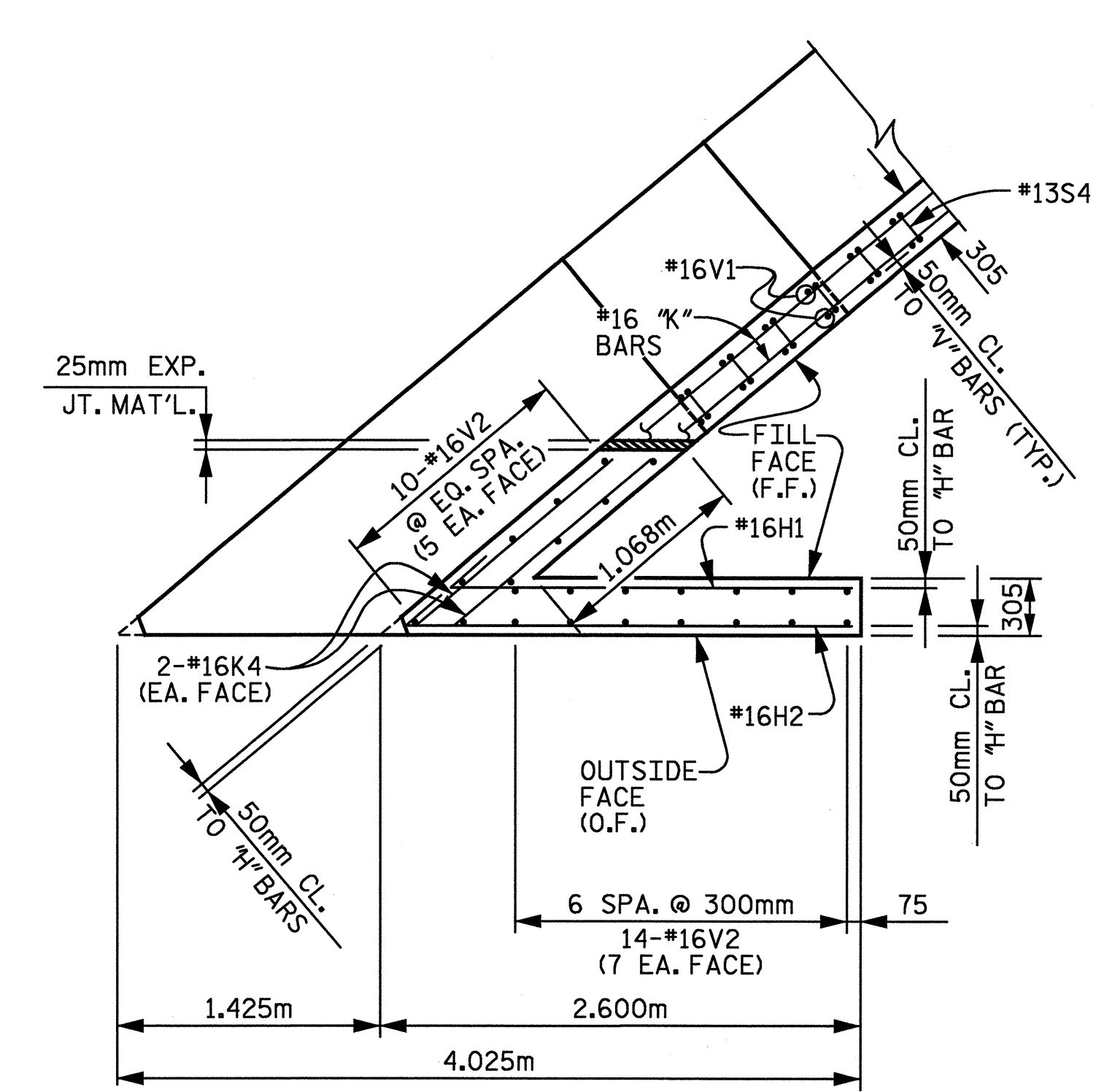


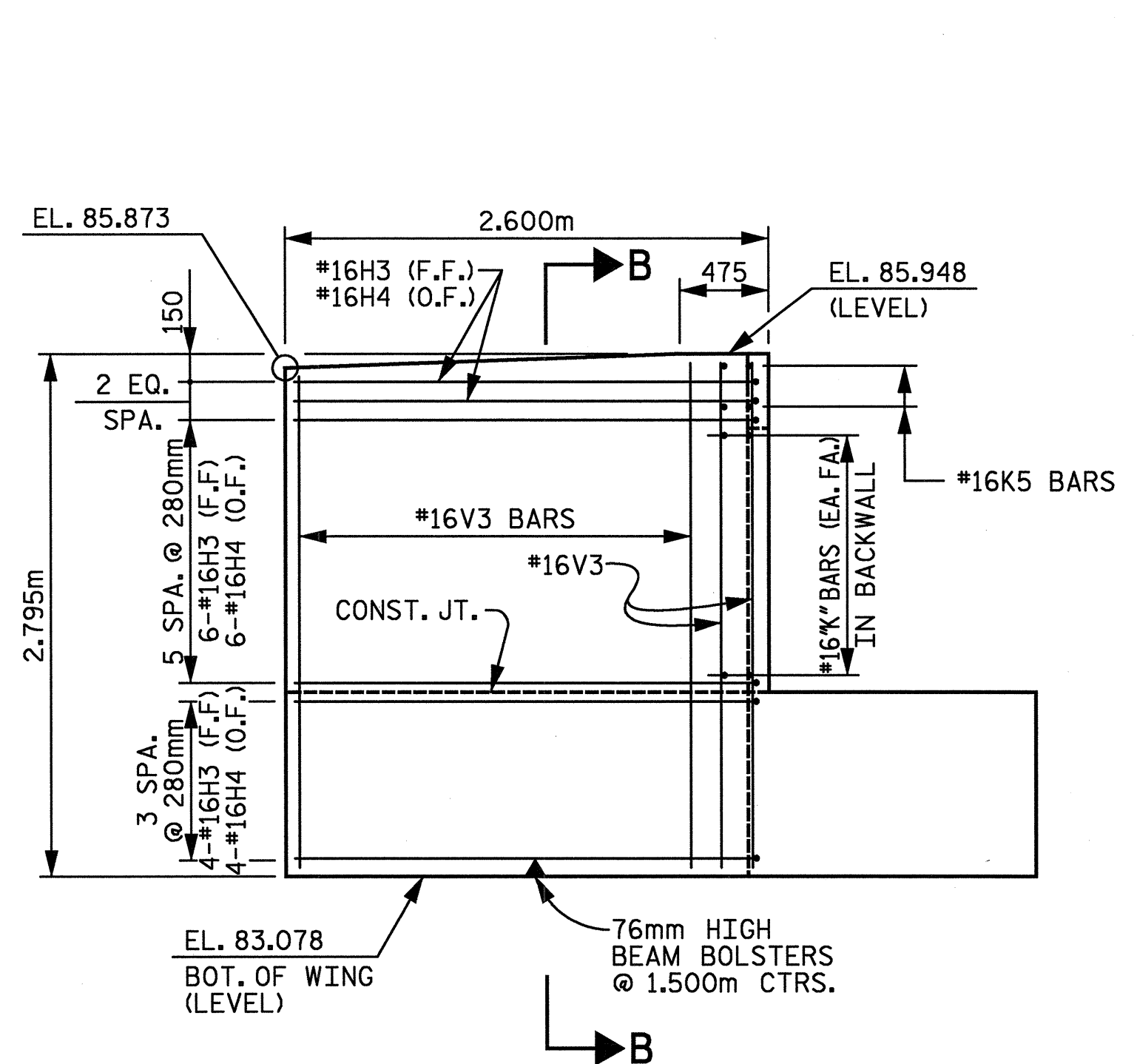
02/17/2005 05:47:36 PM n:\proj\3109-100\ustation\struct\find\3109-100_end_bent_2b.dgn david.lowy



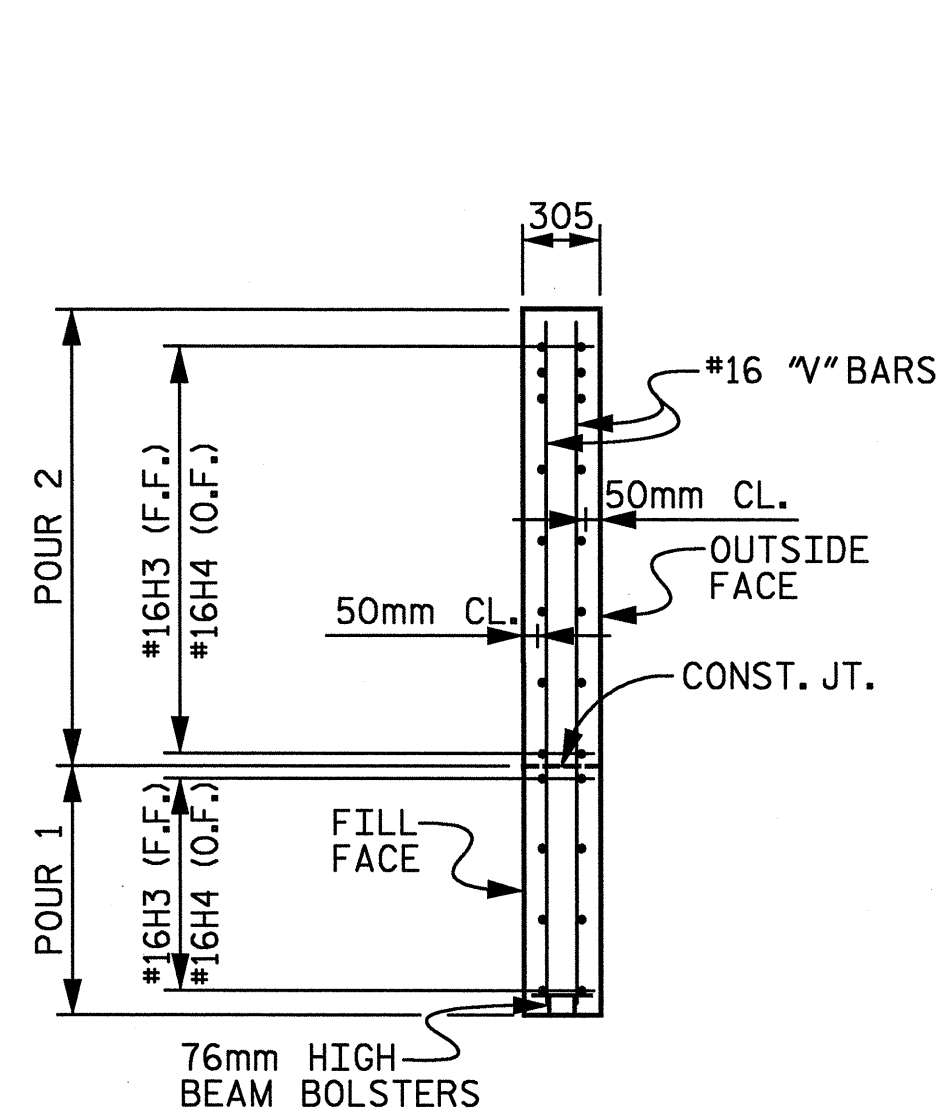
PLAN W1



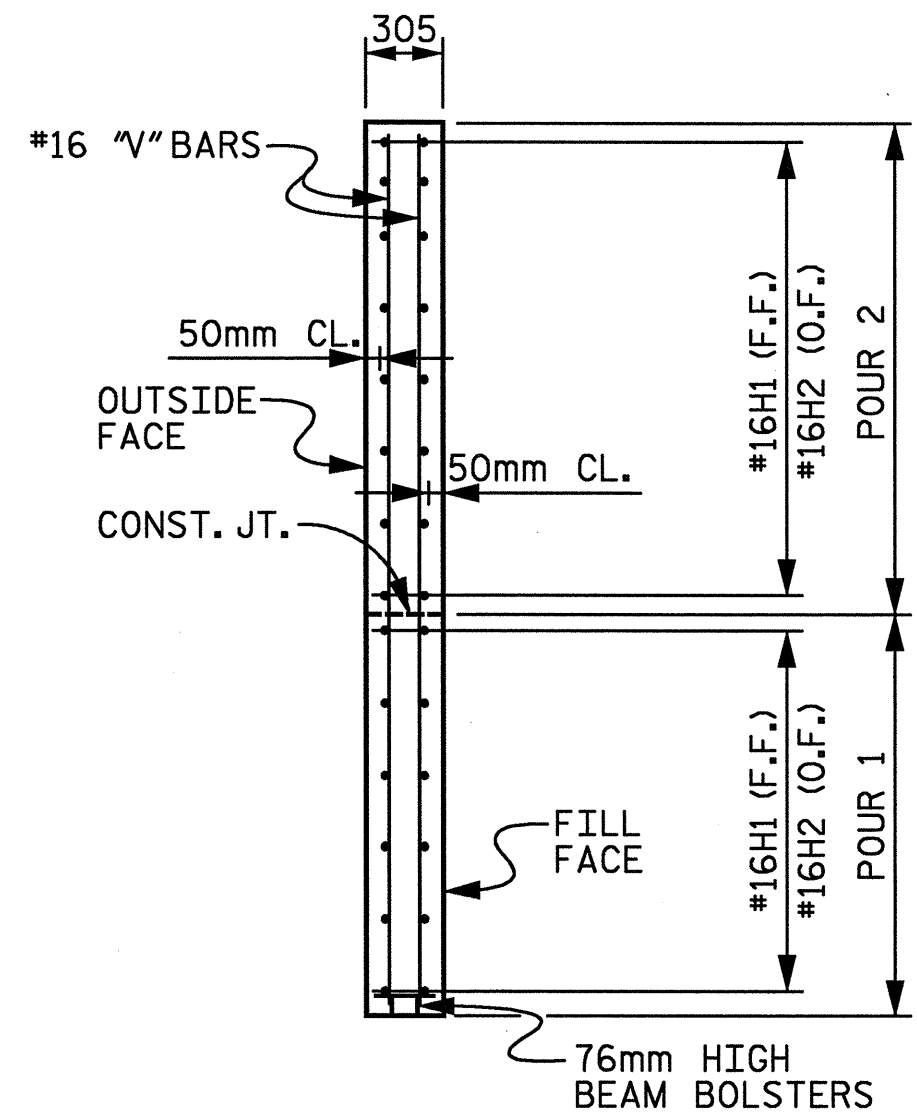
PLAN W2



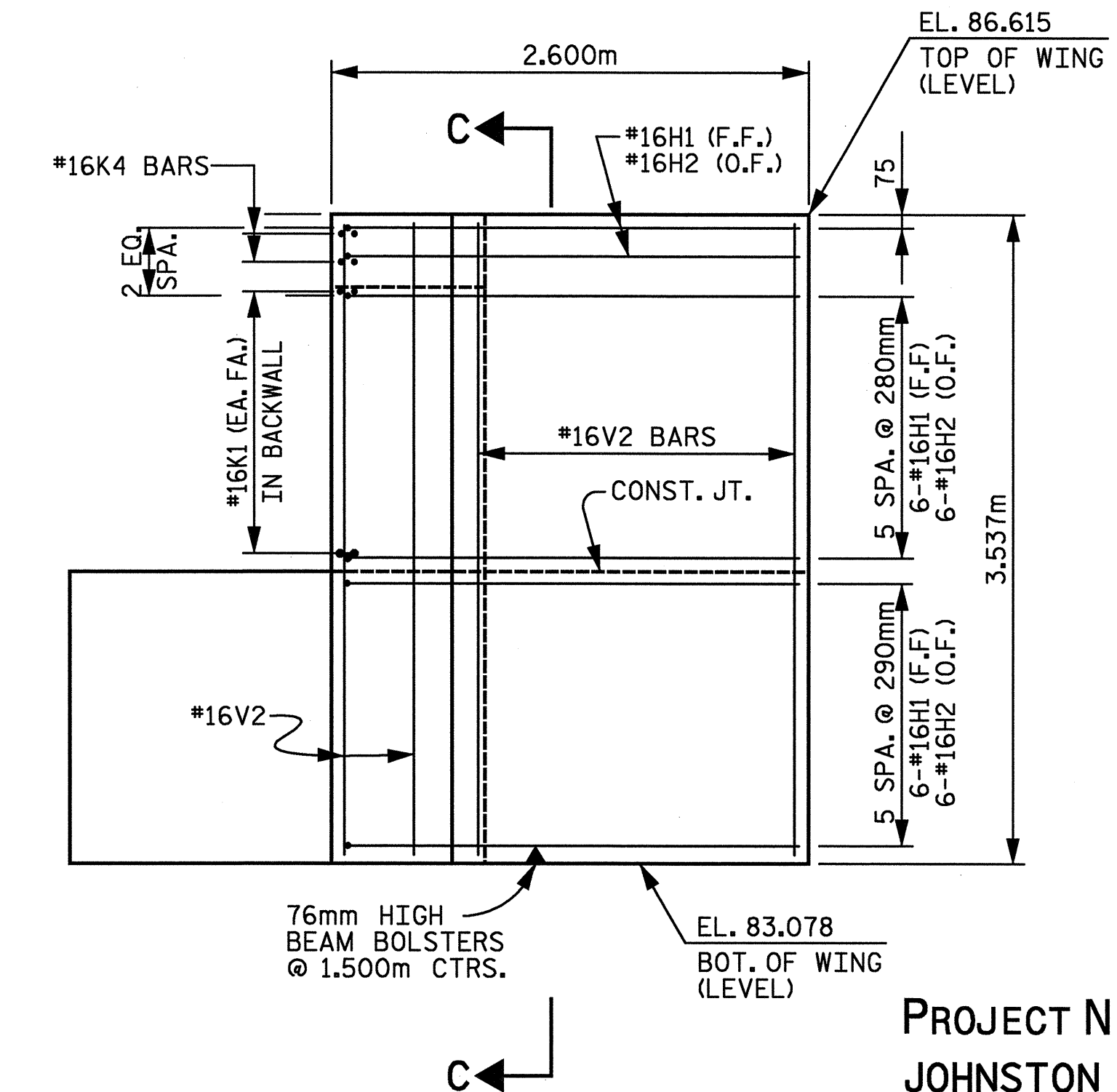
ELEVATION W1



SECTION B-B



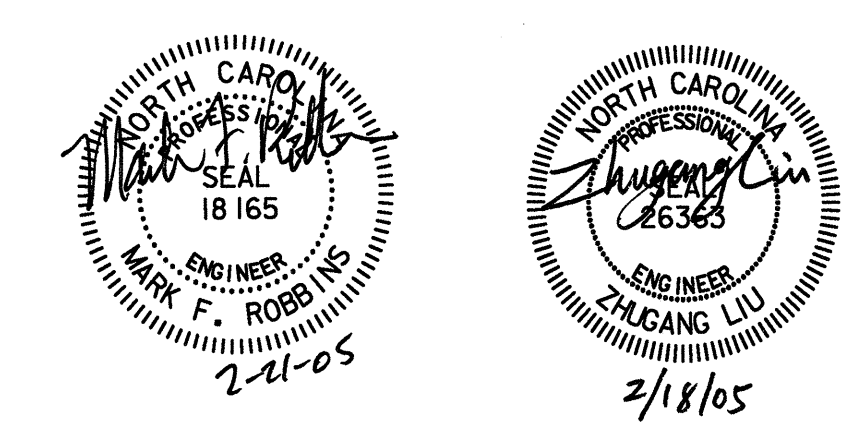
SECTION C-C



ELEVATION W2

PROJECT No. R-2552C
 JOHNSTON COUNTY
 STATION: POT 148+08.446 -L2-
 POT 23+96.446 -Y4-

SHEET 2 OF 3



W RALPH WHITEHEAD ASSOCIATES, INC.
 CONSULTING ENGINEERS
 P.O. BOX 35624 CHARLOTTE, N.C. 28235
 DRAWN BY: KPM, LGH DATE: 10-04 DWG. NO.:
 CHECKED BY: ZAL DATE: 1-05 D-1749-28

REVISIONS	
NO.	DATE
1	2
2	3
3	4

STATE OF NORTH CAROLINA
 DEPARTMENT OF TRANSPORTATION
 RALEIGH
END BENT 2
-LEFT LANE-

SHEET NO. 5349
 TOTAL SHEETS 431